

Project:	Type:	Prepared By:	Date:
-----------------	--------------	---------------------	--------------



Features and Benefits

- Replacement for High output incandescent/halogen or ceramic metal halide HID Lamps
- Commercial Grade
- Large metal heatsink for optimal heat dissipation
- In HID retrofit applications - Integral Driver enables lamp to be wired directly to line voltage. Must bypass ballast
- Produces rich and vibrant colors >90CRI
- Energy efficient replacement for incandescent and halogen PAR lamps
- Constructed from durable materials which lowers risk of breakage
- Rated for use in enclosed and open fixtures in dry and damp locations
- Single optic and full face lens for precise beam angle control
- Longer lifespan compared to legacy equivalents minimizes replacement and maintenance costs
- Title 20 Compliant, Energy Star Compliant, UL Listed
- Non-dimmable

Technical Specifications		
Performance	Color Accuracy (CRI):	Input Current @ 277V:
Product Type: HID Replacement	90 CRI	105mA
Input Wattage: 26W	R9 Value: >50	Operating Frequency: 60 Hz
Lumens: 2,400lm	Installation	Flicker: <30%
Efficacy: 92lm/W	Base Type: E26 Edison	Optical
L70 Lifespan: 40,000 Hours	Electrical	Beam Angle: 40°
Construction	Power Factor: 0.9	Other
Bulb Shape: PAR38	Operating Temperature: -20°C to 45°C (-4°F to 113°F)	Warranty: RAB warrants that our LED products will be free from defects in materials and workmanship for a period of four (4) years from the date of delivery to the end user, including coverage of light output, color stability, driver performance and fixture finish. RAB's warranty is subject to all terms and conditions found at rablighting.com/warranty .
For Use Outdoors in Open Fixtures: No	Dimmable: No	Compliance
LED Characteristics	Input Voltage: 120-277V AC	UL Listed: Yes
Color Temperature: 3000K Warm White	Input Current @ 120V: 225mA	

Technical Specifications (continued)

Energy Star Approved:

This product is ENERGY STAR® Version 2.0 Certified

Energy Star ID:

2330062

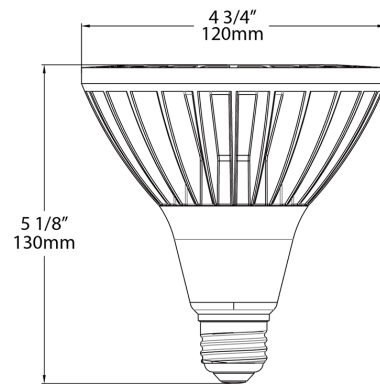
California Energy Commission (CEC) Status:

Lawful for Sales in California

Case and Pallet Dimensions

	QTY	LENGTH (in)	WIDTH (in)	HEIGHT (in)
CASE	6	15.1	10.2	6
PALLET	360	45.4	35.5	48.5

Dimension



Light Distribution

