

Project:	Type:	Prepared By:	Date:
-----------------	--------------	---------------------	--------------



Features and Benefits

- Replacement for High output incandescent/halogen or ceramic metal halide HID Lamps
- Commercial Grade
- Large metal heatsink for optimal heat dissipation
- In HID retrofit applications - Integral Driver enables lamp to be wired directly to line voltage. Must bypass ballast
- Produces rich and vibrant colors >90CRI
- Energy efficient replacement for incandescent and halogen PAR lamps
- Constructed from durable materials which lowers risk of breakage
- Rated for use in enclosed and open fixtures in dry and damp locations
- Single optic and full face lens for precise beam angle control
- Longer lifespan compared to legacy equivalents minimizes replacement and maintenance costs
- Title 20 Compliant, Energy Star Compliant, UL Listed
- Non-dimmable

Technical Specifications		
Performance <hr/> Product Type: HID Replacement Input Wattage: 26W Lumens: 2,400lm Efficacy: 92lm/W L70 Lifespan: 40,000 Hours Construction <hr/> Bulb Shape: PAR38 For Use Outdoors in Open Fixtures: No LED Characteristics <hr/> Color Temperature: 3000K Warm White	Color Accuracy (CRI): 90 CRI Installation <hr/> Base Type: E26 Edison Electrical <hr/> Power Factor: 0.9 Operating Temperature: -20°C to 45°C (-4°F to 113°F) Dimmable: No Input Voltage: 120-277V AC Input Current @ 120V: 225mA Input Current @ 277V: 105mA	Operating Frequency: 60 Hz Flicker: <30% Optical <hr/> Beam Angle: 25° Other <hr/> Warranty: RAB warrants that our LED products will be free from defects in materials and workmanship for a period of four (4) years from the date of delivery to the end user, including coverage of light output, color stability, driver performance and fixture finish. RAB's warranty is subject to all terms and conditions found at rablighting.com/warranty . Compliance <hr/> UL Listed: Yes

Technical Specifications (continued)

Energy Star Approved:

This product is ENERGY STAR® Version 2.0 Certified

Energy Star ID:

2330061

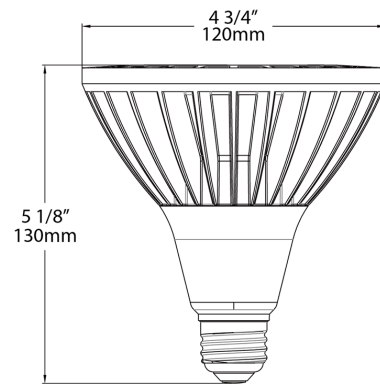
California Energy Commission (CEC) Status:

Lawful for Sales in California

Case and Pallet Dimensions

	QTY	LENGTH (in)	WIDTH (in)	HEIGHT (in)
CASE	6	15.1	10.2	6
PALLET	360	45.4	35.5	48.5

Dimension



Light Distribution

