

IMPORTANT SAFEGUARDS

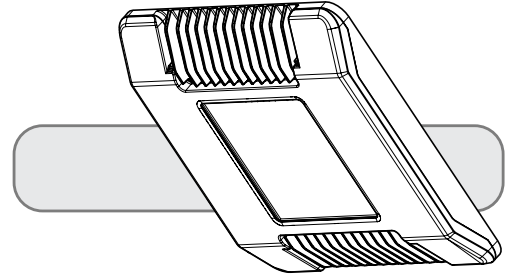
When using electrical equipment, basic safety precautions should always be followed including the following:

READ AND FOLLOW ALL SAFETY INSTRUCTIONS

- 1. DANGER-** Risk of shock- Disconnect power before installation.
DANGER – Risque de choc – Couper l'alimentation avant l'installation.
- This luminaire must be installed in accordance with the NEC or your local electrical code. If you are not familiar with these codes and requirements, consult a qualified electrician.
Ce produit doit être installé conformément à NEC ou votre code électrique local. Si vous n'êtes pas familier avec ces codes et ces exigences, veuillez contacter un électricien qualifié.
- DO NOT lift luminaire by the power leads or cord.

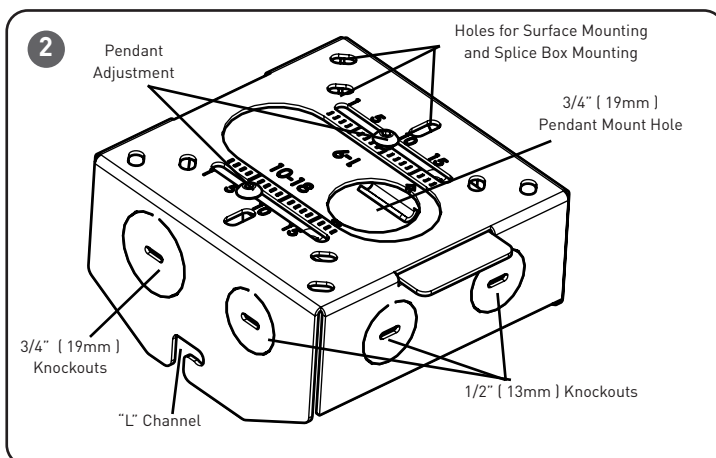
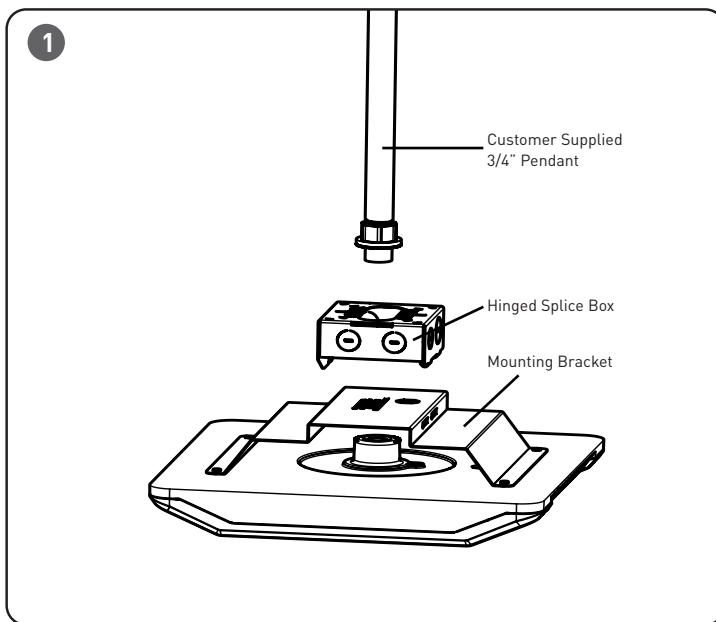
SAVE THESE INSTRUCTIONS FOR FUTURE REFERENCE

INSTALLATION INSTRUCTIONS



NOTE:
 No user maintenance is required. Do not remove the enclosure cover after installation.

TO INSTALL:



PENDANT MOUNT/ HINGED SPLICE BOX MOUNTING

STEP 1:

Remove hinged splice box cover from top of housing by loosening set screw and sliding box to the right and up from "L" channel. Unhook from hinge holes. See **Figure 2**.

STEP 2:

Attach hinged splice box cover to customer supplied pendant or mounting surface and pull supply leads to open end. See **Figure 1**.

For pendant entering the hinge box:

Use 3/4" threaded pendant, along with two locknuts (one for inside the splice box and one for outside the splice box).

Note: The luminaire should already be factory set for correct balance. However, should you need to, the luminaire may be balanced by loosening (2) set screws for pendant adjustment on the top of the hinged splice box and sliding the adjustment plate as necessary for correct balance. Tighten (2) set screws when finished. See **Figure 2**.

For surface mounting the hinge box:

Use designated mounting holes on top of hinge splice box. See **Figure 2**. For conduit entering the hinge splice box from the side, use appropriately-sized threaded conduit (1/2" or 3/4"), along with two locknuts (one for inside the box, and the other for outside).

STEP 3:

Attach one end of the hinged splice box to luminaire by aligning hinge slots on Mounting Bracket with hinges (on splice box), and then inserting the hinges into the slots.

STEP 4:

Make wire connections per Electrical Connection section and then push the leads into hinged splice box.

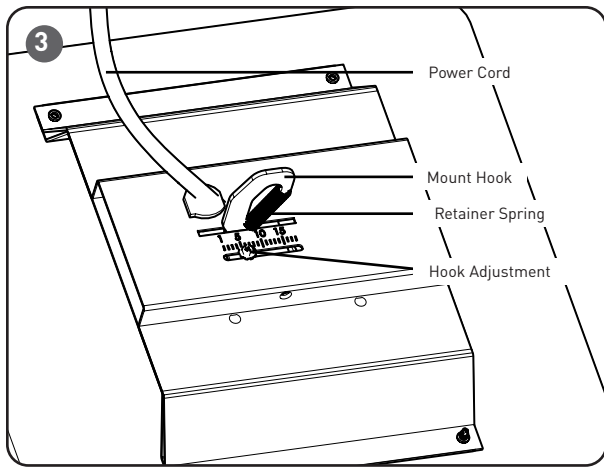
STEP 5:

Secure other end of the hinged splice box to luminaire by sliding screw on Mounting Bracket up and over in "L" channel on the hinged splice box. See **Figure 2**.

STEP 6:

Secure luminaire to hinged splice box by tightening screw.





HOOK AND CORD/CAR WASH MOUNTING

STEP 1:

Push down on retainer spring until top of spring is free of luminaire hook.

STEP 2:

Slide hook into securely mounted customer supplied eye hanger and return retainer spring to original position.

Note: The luminaire should already be factory set for correct balance. However, should you need to, the fixture may be balanced by loosening the hook adjustment set screw on the top of the housing and sliding the hook as necessary for correct balance. Tighten hook set screw when finished. See **Figure 3**.

BLUETOOTH® TECHNOLOGY ENABLED MULTI-LEVEL SENSOR (OPTIONAL)

The 8' to 20' sensor lens comes installed on the sensor on these luminaires. A 20' to 40' sensor lens and aisle shroud is included in the hardware bag. To change the lens, unscrew the existing lens, remove the shroud from the replacement lens and screw the new lens back on to the sensor. If aisle lighting is required, the shroud should be added to the appropriate lens.

For Sensor information please visit the Leviton website, www.Leviton.com and search on ZLDxZ-xxx/OFDxZ-xxx.

Configuration is made using the Leviton Smart Sensor App from a smartphone or other Bluetooth® enabled Android or iOS device. The Smart Sensor App can be downloaded from either Goggle Play or Apple Store.

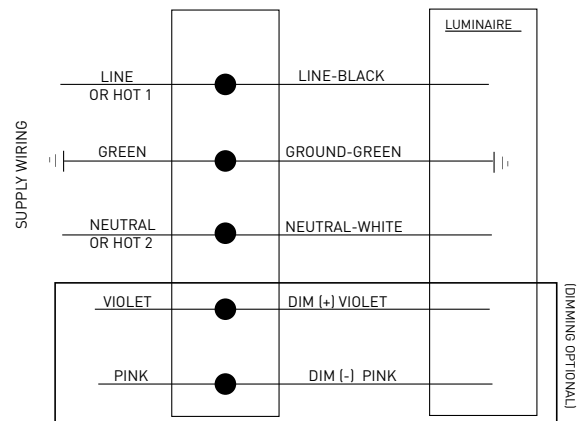
ELECTRICAL CONNECTIONS

NOTE: Luminaires with BML sensor will have the dimming leads capped off. Keep the dimming leads on these luminaires capped off.

STEP 1:

Make the following Electrical Connections :

- Connect the black fixture lead to the voltage supply position of the terminal block or Hot 1 (for 208/240V wiring).
- Connect the white fixture lead to the neutral supply position of the terminal block or Hot 2 (for 208/240V wiring).
- Connect the green or green/yellow ground lead to the green wire position of the terminal block.
- If Dimming is an option; connect the violet dimming positive lead to the supply dimming positive lead.
- If Dimming is an option; connect the pink dimming negative lead to the supply dimming negative lead.



© 2023 Cree Lighting, A company of IDEAL INDUSTRIES. All rights reserved. For informational purposes only. Content is subject to change. See www.creelighting.com/warranty for warranty and specifications. Cree® and the Cree Lighting logo are registered trademarks of Cree, Inc.

The Bluetooth® word mark and logos are registered trademarks owned by Bluetooth SIG, Inc. and any use of such marks is under license. Other trademarks, service marks, and trade names are those of their respective owners. IOS is a registered trademark or trademark of Cisco Systems, Inc. and/or its affiliates in the United States and certain other countries. Android is a trademark of Google, Inc.

CREE  **LIGHTING**®

A COMPANY OF IDEAL INDUSTRIES, INC.

www.creelighting.com