

IMPORTANT SAFEGUARDS

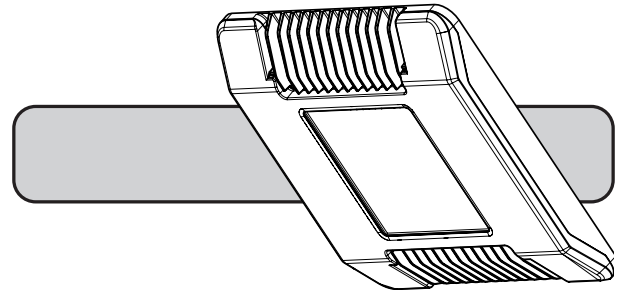
When using electrical equipment, basic safety precautions should always be followed including the following:

READ AND FOLLOW ALL SAFETY INSTRUCTIONS

1. For use in CLASS I, DIVISION 2, Groups A,B,C and D Hazardous Locations.
2. **DANGER**- Risk of shock- Disconnect power before installation.
DANGER – *Risque de choc – Couper l'alimentation avant l'installation.*
3. This luminaire must be installed in accordance with the NEC or your local electrical code. If you are not familiar with these codes and requirements, consult a qualified electrician.
Ce produit doit être installé conformément à NEC ou votre code électrique local. Si vous n'êtes pas familier avec ces codes et ces exigences, veuillez contacter un électricien qualifié.
4. DO NOT lift luminaire by the power leads or cord.

SAVE THESE INSTRUCTIONS FOR FUTURE REFERENCE

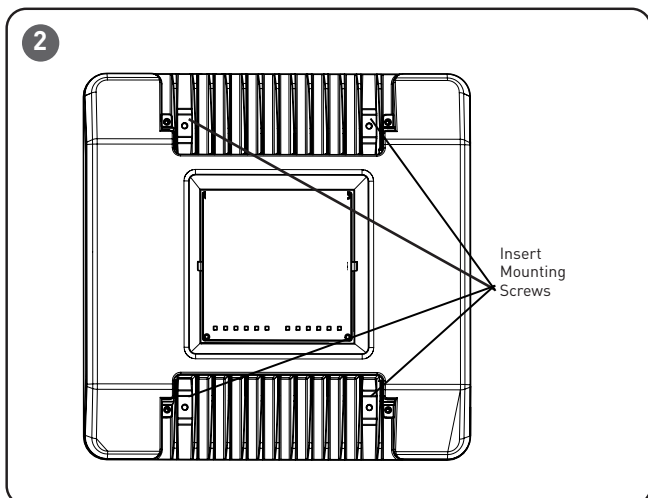
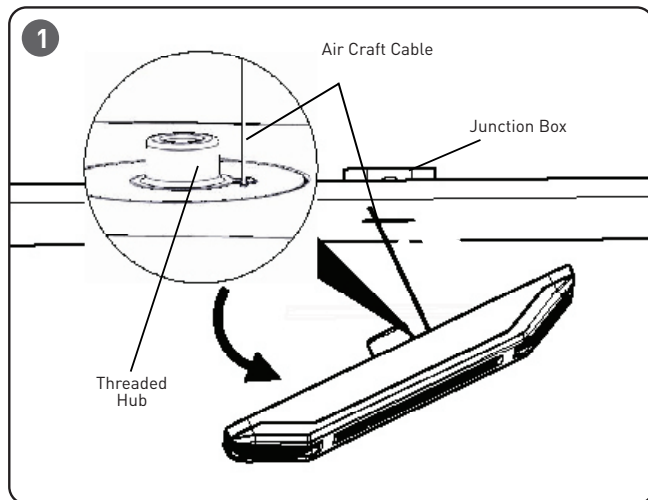
INSTALLATION INSTRUCTIONS INSTRUCTIONS D'INSTALLATION



NOTE:

- No user maintenance is required. Do not remove the enclosure cover after installation.
- Installer is responsible for ensuring fittings, junction boxes, pendants stems, and similar items above the canopy deck are installed in a weather-tight and sealed manner that prevents water ingress to wiring and/or luminaire
- Failure to provide a weather-tight seal will void the 10-year luminaire warranty.

TO INSTALL:



LUMINAIRE INSTALLATION

NOTE: Customer supplied junction box needs to be 4" square or octagon.

STEP 1:

Locate Air Craft Cable on the fixture and attach it to the customer supplied junction box with a number 8 machine screw. Then carefully let the fixture hang down for wiring. See **Figure 1**.

STEP 2:

Make wiring connections into junction box per "Electrical Connections" section on the back page.

STEP 3:

To mount luminaire to ceiling, feed the threaded hub into the junction box, making sure no wires are pinched and luminaire is flushed with ceiling.

STEP 4:

Insert and tighten (4) supplied sheet metal screws to metal ceiling. If ceiling isn't metal use appropriate customer supplied hardware. See **Figure 2**.



ELECTRICAL CONNECTIONS

STEP 1:

Make the following Electrical Connections :

- a. Check the voltage rating on the luminaire label and verify the voltage from the supply source matches the luminaire voltage rating.
- b. Connect the black lead from the luminaire to the line (hot) of the supply source.
- c. Connect the white (neutral) lead from the luminaire to the white (neutral) of the supply source.
- d. Connect the green or green/yellow ground lead from the luminaire to the green wire from the supply source.
- e. If Dimming is an option; connect the violet dimming positive lead to the supply dimming positive lead.
- f. If Dimming is an option; connect the grey or pink dimming negative lead to the supply dimming negative lead.

NOTE: For dimming circuit connections use wire ratted to a minimum of 90C. Class 1 wiring only. Dimming control wires must be rated 600V minimum. Use UL certified dimming control suitable for the specific ordinary or hazardous locations where the control is located. The wiring shall be made in accordance with the NEC and CEC for the area.

