

Project:	Catalog#:	Type:
Prepared By:	Notes:	Date:

ESB

LED Area Light
2 housing profile options • 5 Year Limited Warranty



Overview

ESB series area light from Energetic is engineered to respect the classic look of a shoebox area light, while the slim tapered, self-cleaning profile suggests exceptional performance. Incorporating the latest in LED, driver technology, and thermal management with a tested efficacy up to 130 LM/W across the family wattages from 100W through 300W. This performance and design makes the ESB series ideal for replacing legacy fixtures from 250W to 1000W MHD. Options include multiple mounting configurations and NEMA PC receptacle. Other key features include: Bottom side access door, large area heat sinking above arrays, single panel optics and low EPA ratings. With optional slip fitters, trunnion, fixed arm, and yoke mounts available for separate purchase, see mounting options below for more information. ESB can also be used for up-lighting as well as wall washing.

Features

- Full cutoff light profile
- Ground facing access door
- IP65 | Suitable for wet location use
- 5 Different Mounting Options available to suit any application challenges
- Dimmable with 1-10V system
- Special designed rotatable lens, suitable for more applications.
- Photocell Control, Motion sensor, PIR sensor Available (Option).
- Surge protection: 6KV

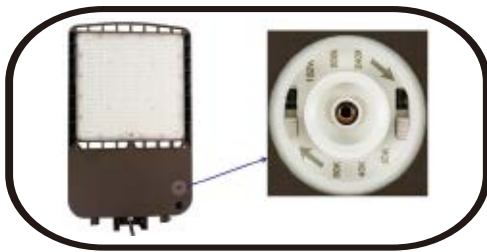
Applications

- Parking Lots
- General Area Lighting
- Security Lighting
- Wall Wash
- Landscaping

Highlights



North American's MUSCLE style, but simple, clean look. FLIP COVER easy for driver maintenance.

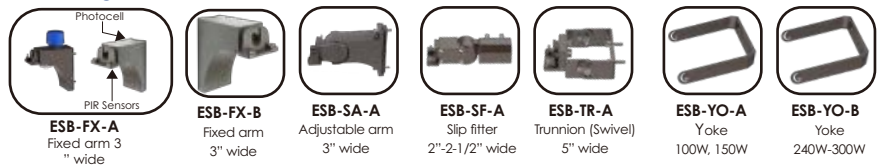


Unique designed tunable module.
3 CCT & Wattage Selectable



Rotatable Type III, IV, V lens interchangeable greatly save SKU and storage pressure.

Mounting Arms



(This mounting has photocell or sensors options NOT INCLUDED, available for purchasing)

(Refer to Pg. 3 for Wall/Pole Mounts)

Sensors/ Factory Install Items



Load Information

Input Voltage	100-277Vac
Power Factor	>0.99
THD	<20%
Low Temp Start	-40°C (40°F)
Max Temp	45°C (113°F)
Unit Weight	standard 8 LBS
	large 13 LBS

Shipping Information

Item	Weight	Box Qty.
Standard profile	8 lbs	1 per
Large profile	13 lbs	1 per

Lumen Maintenance

Housing Type	Ambient Temperature	TM-21 Lumen Maintenance (50,000 hours)	Theoretical L70 (hours)
Standard profile	25°C	>88.58%	54,000
Large profile	25°C	>88.58%	54,000

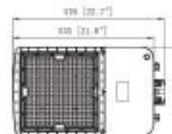
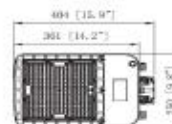
Dimensions

Small Profile Housing

- ESB-M130E850C2
- ESB-M200E850C2
- ESB-M130E850C3
- ESB-M200E850C3
- ESB-M200E850C4

Large Profile Housing

- ESB-C320E850C3
- ESB-C400E850C3
- ESB-C320E850C4
- ESB-C400E850C4
- ESB-C320E850C5



Model Ordering Number

Series Prefix	Lumens	Dimming	Optics/ Distribution	Control Options	CRI	CCT
ESB	130	E	3	C	8	50
ESB Energetic Shoebox Area Light Series	130 13000lm 200 20000lm 320 32000lm 400 40000lm	E 0-10v Dimmable (default)	3 Type III-M (Default) Optional type V lens available refer to pg4 for Factory Install Options	C Metal Cap A factory removable cap required can be used for factory installation of 3-Pin Socket for Photo-controls. See: MTO-NPCM-277-3P MTO-NPCM-480-3P respectively [Blank] No metal cp. This model cannot be modified for socket or photo- controls in the main fixture	8 80 CRI	30 3000K 40 4000K 50 5000K

STOCK ORDER INFORMATION

5000K CCT, Small Housing Profile 100-277V

Model Number	Order #	Lumens	Wattage	LPW	Color Temp	CRI	Voltage	PF	Body Finish	Dimming	DLC
ESB-M130E850C2	75339	13000	100	130	5000K	80	100-277	0.9	Bronze	1-10V	N/A
ESB-M200E850C2	75340	20000	150	130	5000K	80	100-277	0.9	Bronze	1-10V	N/A
ESB-M130E850C3	75330	13000	100	130	5000K	80	100-277	0.9	Bronze	1-10V	N/A
ESB-M200E850C3	75331	20000	150	130	5000K	80	100-277	0.9	Bronze	1-10V	N/A
ESB-M200E850C4	75343	20000	150	130	5000K	80	100-277	0.9	Bronze	1-10V	N/A

5000K CCT, Small Housing Profile 277-480V

Model Number	Order #	Lumens	Wattage	LPW	Color Temp	CRI	Voltage	PF	Body Finish	Dimming	DLC
ESB-C130E850C2	75341	13000	100	130	5000K	80	277-480	0.9	Bronze	1-10V	N/A
ESB-C200E850C2	75342	20000	150	130	5000K	80	277-480	0.9	Bronze	1-10V	N/A
ESB-C130E850C3	75335	13000	100	130	5000K	80	277-480	0.9	Bronze	1-10V	N/A
ESB-C200E850C3	75336	20000	150	130	5000K	80	277-480	0.9	Bronze	1-10V	N/A
ESB-C200E850C4	75344	20000	150	130	5000K	80	277-480	0.9	Bronze	1-10V	N/A

5000K CCT, Large Housing Profile 100-277V

Model Number	Order #	Lumens	Wattage	LPW	Color Temp	CRI	Voltage	PF	Body Finish	Dimming	DLC
ESB-M320E850C3	75332	32000	240	130	5000K	80	100-277	0.9	Bronze	1-10V	N/A
ESB-M400E850C3	75333	40000	300	130	5000K	80	100-277	0.9	Bronze	1-10V	N/A
ESB-M320E850C4	75345	32000	240	130	5000K	80	100-277	0.9	Bronze	1-10V	N/A
ESB-M400E850C4	75347	40000	300	130	5000K	80	100-277	0.9	Bronze	1-10V	N/A
ESB-M320E850C5	75349	32000	240	130	5000K	80	100-277	0.9	Bronze	1-10V	N/A
ESB-M400E850C5	75351	32000	240	130	5000K	80	100-277	0.9	Bronze	1-10V	N/A

5000K CCT, Large Housing Profile 277-480V

Model Number	Order #	Lumens	Wattage	LPW	Color Temp	CRI	Voltage	PF	Body Finish	Dimming	DLC
ESB-C320E850C3	75337	32000	240	130	5000K	80	277-480	0.9	Bronze	1-10V	N/A
ESB-C400E850C3	75338	40000	300	130	5000K	80	277-480	0.9	Bronze	1-10V	N/A
ESB-C320E850C4	75346	32000	240	130	5000K	80	277-480	0.9	Bronze	1-10V	N/A
ESB-C400E850C4	75348	40000	300	130	5000K	80	277-480	0.9	Bronze	1-10V	N/A
ESB-C320E850C5	75350	32000	240	130	5000K	80	277-480	0.9	Bronze	1-10V	N/A
ESB-C400E850C5	75352	40000	300	130	5000K	80	277-480	0.9	Bronze	1-10V	N/A

Small Housing Profile

Large Housing Profile

3000k,4000k&5000k CCT Select ,Small Housing Profile 120-277V

Model Number	Order #	Lumens	Wattage	LPW	Color Temp	CRI	Voltage	PF	Body Finish	Dimming	DLC
ESB-M260E83050C3	75334	13000 20000 26000	100W, 150W, 200W Select	130	3000k,4000k, &5000k CCT	80	120-277	0.9	Bronze	1-10V	N/A

Optional Accessories

Accessories

Model Number	Order #	Description
E4SB-SF-A	75205	Slip fitter
E4SB-SA-A	75206	Adjustable arm
E4SB-TR-A	75207	Trunnion (swivel)
E4SB-YO-A	75208	Yoke (100W, 150W, 200W)
E4SB-YO-B	75209	Yoke (240W, 300W)
E4SB-FX-A	75210	Fixed arm

Wall/Pole Mounting *Refer to page 7-10*

Wall/Pole Mounting

Model Number	Order #	Description
E1MNT-TNRV1	99006	90° U-bar bracket
E1MNT-TNRVC1	99007	90° Right angle bracket
E1MNT-TNH1	99002	180° Straight bar bracket
E1MNT-TRAN4	99004	Square pole to round convertor (Vice Versa)
E1MNT-TNH2	99003	Square pole to round adapter for 2 heads
E1MNT-BH3	99022	Round pole bullhorn for 3 heads

Factory Install Options:

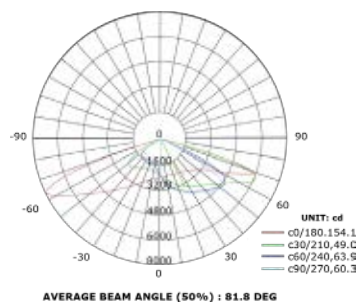
Factory Install ONLY Accessories

Model Number	Order #	Description
MTO-NPCM-277-3P	98039	PHOTOCELL NPCELL277-3P 100-277V Receptacle NPORT480-3P (Not for 277-480)
MTO-NPCM-480-3P	98040	PHOTOCELL NPCELL480-3P 0-480V Receptacle NPORT480-3P
MTO-NSHTM	98041	Shorting Cap E1ACC-SHORT 0-480V/BLACK Receptacle NPORT480-3P
MTO-E3MS-IRL-INT-W	98042	PIR Sensor 12-24 E3MS-IRL-INT-W (Not for 277-480)
MTO-E3MS-MW-INT-W	98043	Microwave Motion Sensor (100-277V) E3MS-MW-INT-W (Not for 277-480)
MTO-E3MS-IR-INT-W	98044	PIR Sensor 100-277V E3MS-IR-INT-W (Not for 277-480)
MTO-E1MS-SMW-RC	98051	Remote Control for E1MS-SMW-LVP
MTO-CLR-SB	99564	Powdercoating Fixture for custom color (Use RAL code for desired for fixture color)
MTO-CLR-SBM	99565	Powdercoating Mounting for custom color (Use RAL code for desired for Mounting color)
MTO-E4SB-OPT-VA-S	99568	Installation for Type V optic E4SB-OPT-VA (1pc) for 100W, 150W
MTO-E4SB-OPT-VA-L	99569	Installation for Type V optic E4SB-OPT-VA (2pc) for 240W, 300W

PHOTOMETRIC DATA

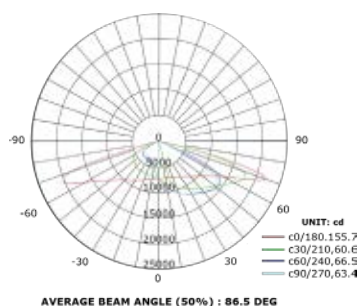
Model: ESB-M130E850C2
 Test Report: ESB-M130E850C2.ies
 CCT: 5000K
 Lamp Type: LED
 Lumens: 13000 LM
 Input Watts: 100 W
 Efficacy: 130 LM/W
 IESNA: Type III-M
 BUG Rating: B3-U2-G3

Lumen Intensity Graph:
ESB-M130E850C2



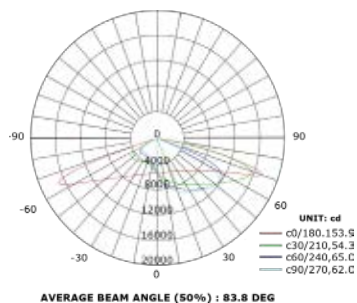
Model: ESB-M200E850C3
 Test Report: ESB-M200E850C3.ies
 CCT: 5000K
 Lamp Type: LED
 Lumens: 20000 LM
 Input Watts: 150 W
 Efficacy: 130 LM/W
 IESNA: Type III-M
 BUG Rating: B3-U2-G3

Lumen Intensity Graph:
ESB-M200E850C3



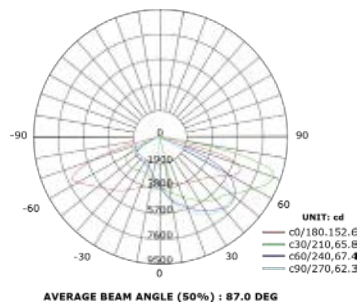
Model: ESB-M320E850C3
 Test Report: ESB-M320E850C3.ies
 CCT: 5000k
 Lamp Type: LED
 Lumens: 32000 LM
 Input Watts: 240 W
 Efficacy: 130 LM/W
 IESNA: Type III-M
 BUG Rating: B3-U2-G4

Lumen Intensity Graph:
ESB-M320E850C3



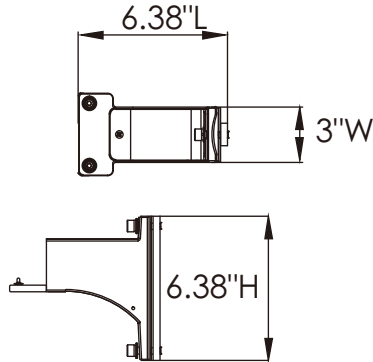
Model: ESB-M400E850C3
 Test Report: ESB-M400E850C3.ies
 CCT: 5000K
 Lamp Type: LED
 Lumens: 40000 LM
 Input Watts: 300 W
 Efficacy: 130 LM/W
 IESNA: Type III-M
 BUG Rating: B3-U2-G4

Lumen Intensity Graph:
ESB-M400E850C3

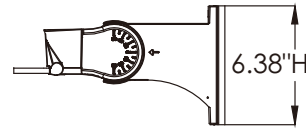


(Refer to website for IES files on 3000k and 4000k)

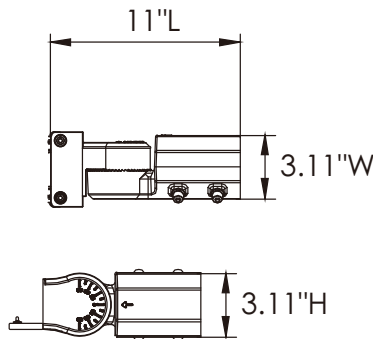
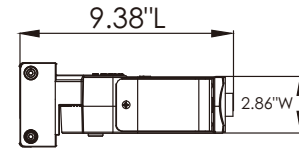
Mounting Dimensions



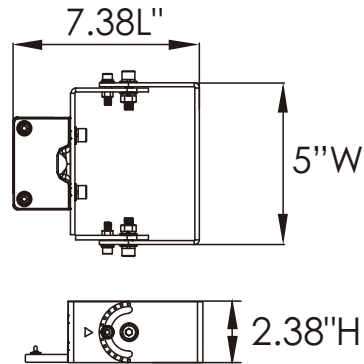
FX-A Fixed arm for pole



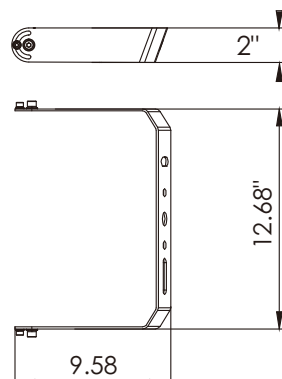
SA-A Adjustable arm for pole



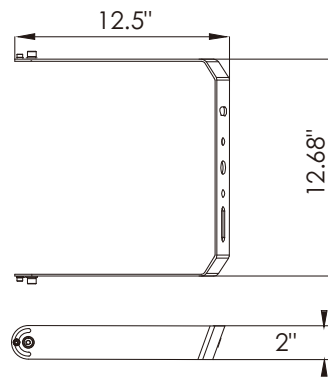
SF-A Slip Fitter for pole



TR-A Trunnion (Swivel)



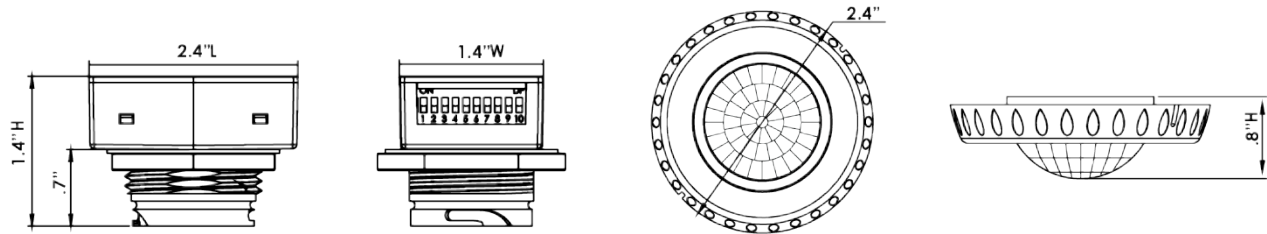
Yo-A | Yoke-A 100W,



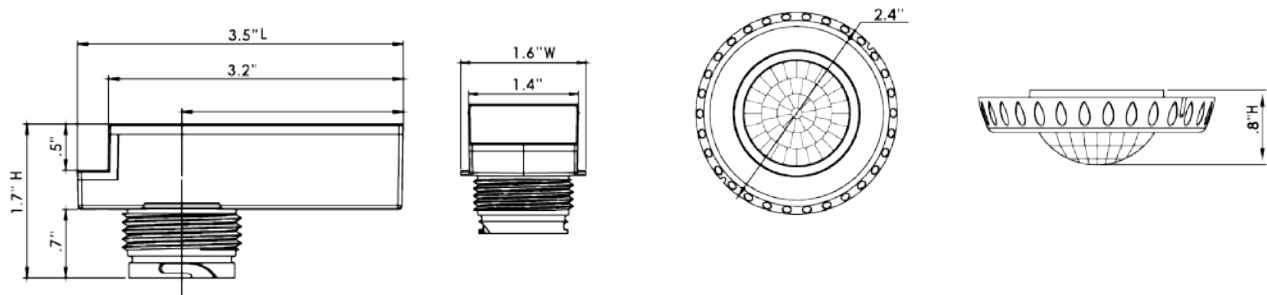
Yo-B | Yoke-B 240W, 300W

Mounting Dimensions

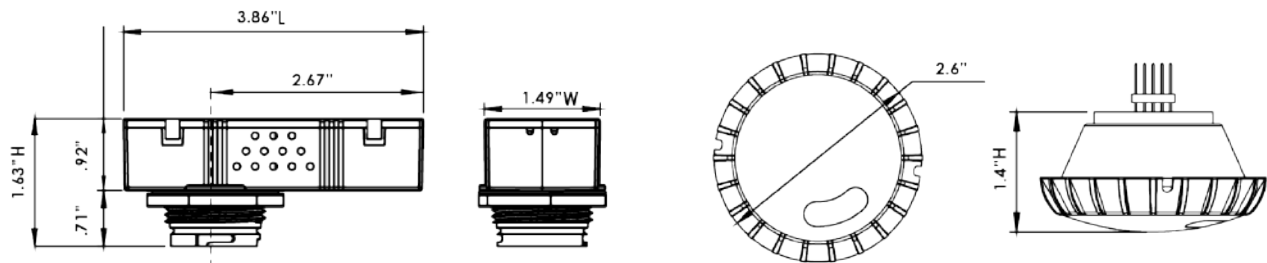
12-24V PIR Sensor E3MS-IRL-INT-W (Not for 277-480)



PIR Sensor 100-277V E3MS-IR-INT-W (Not for 277-480)



Microwave Motion Sensor (100-277V) MTO-E3MS-MW-INT-W (Not for 277-480)

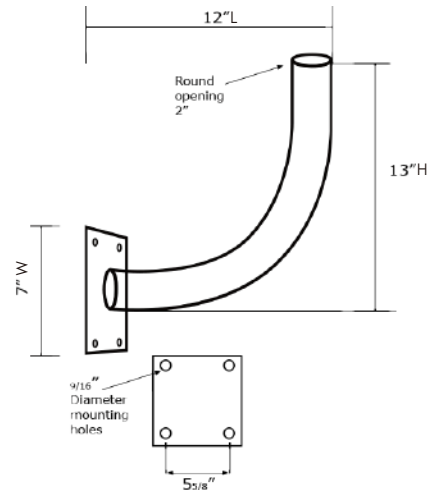


Wall Mounts

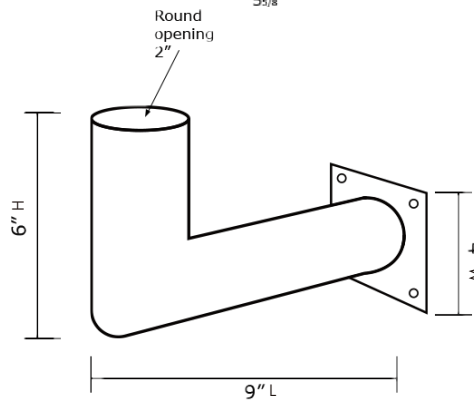
E1MNT-TNRV1 | E1MNT-TNRVC1 | E1MNT-TNH1



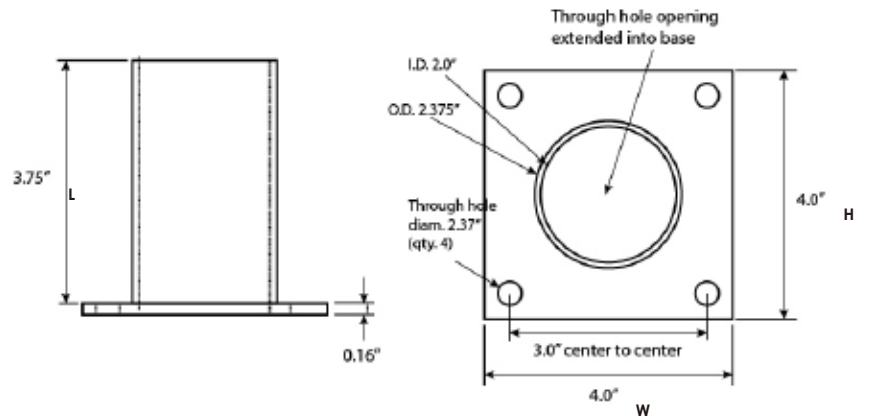
E1MNT-TNRV1



E1MNT-TNRVC1



E1MNT-TNH1

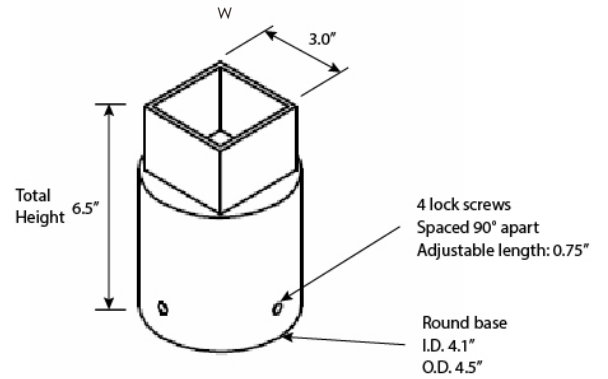


Converters

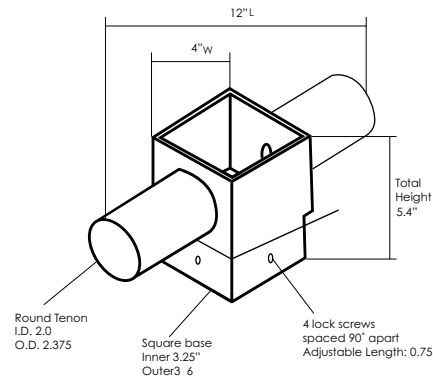
E1MNT-TRAN4 | E1MNT-TNH2



Converter for Square to round pole
E1MNT-TRAN4
Converter for Round to square pole



E1MNT-TNH2



Bull Horns

E1MNT-BH3



E1MNT-BH3

