

Type:

Model:

## MANCHESTER Aluminum Integrated LED Hardscape

### ORDERING CODE:

490128-2W-2700K      490128-4W-2700K  
490128-2W-3000K      490128-4W-3000K

### SPECIFICATIONS

#### HOUSING:

Cast aluminum.

#### FINISH:

Architectural bronze. Custom powder coated colors available.

#### INTEGRATED LED:

2W. 140 lumens. 1.54VA at 27K. 1.51VA at 3K. Dimmable. 80 CRI.  
4W. 280 lumens. 3.49VA at 27K. 3.64VA at 3K. Dimmable. 80 CRI.

#### LENS:

Factory installed clear lens plus three interchangeable, high-impact polycarbonate lenses included.

#### LIGHT OUTPUT:

Control your light output by swaping the following lenses:

- Factory installed clear lens: 140 lumens (2W) or 280 lumens (4W).
- Lightly frosted lens: Achieve approx. 33% lumen reduction.
- Heavier frosted lens: Achieve approx. 50% lumen reduction.
- Amber lens: Achieve approx. 60% lumen reduction for a dramatic ultra-warm effect.

#### MOUNTING:

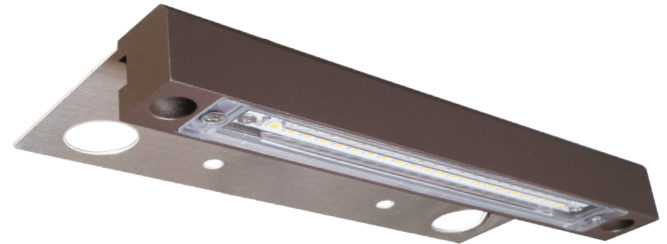
Three stainless steel mounting plates facilitate mounting under a hardscape cap or flush to a wall, or mount directly with screws.

#### WIRING:

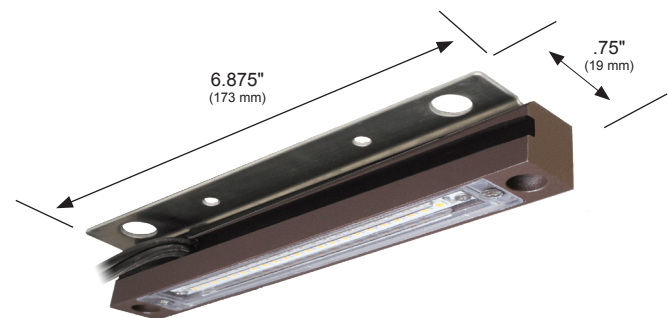
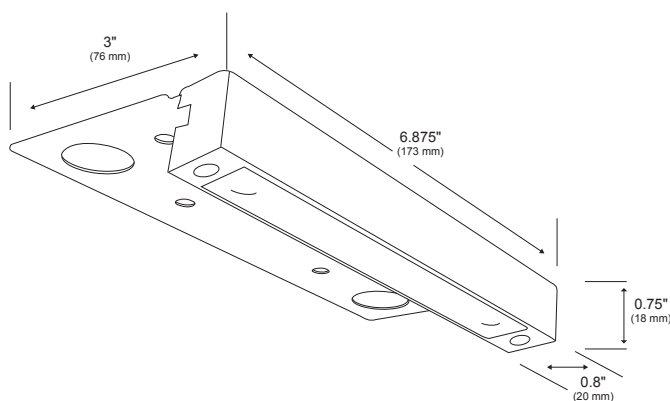
Pre-wired with a 5' 18/2 cable.

#### WARRANTY:

Ten years.



### DIMENSIONS:



Includes three stainless steel mounting brackets: 2.5-inch and .75-inch brackets shown above for horizontal attachment, and a bracket for wall-mounting flush to a vertical surface as shown below. Can also be mounted under a surface without a bracket by inserting screws (not included) through the fixture's two screw holes, as shown below left.

