

# LEDVANCE Luminaires

## SCREW-BASE DOWNLIGHTS

VALUE CLASS

### Application

The LEDVANCE RT Screw Base Downlights are ideal for retrofit applications in bedrooms, kitchens or bathrooms using 4", 5" or 6" housings. Offered with smooth and baffle reflectors with a polycarbonate lens, these luminaires are ENERGY STAR® listed and compliant with California's Title 20 and 24 energy legislation, ensuring access to rebates and uniform and even illumination.

### Benefits and Features

- No warm-up time, instant-on with full light output and consistent lamp-to-lamp color
- The 4" downlight is offered in 7W (or 600 lumens); the 5/6" downlight is offered in 8W (or 700 lumens)
- Adjustable torsion springs for 5/6" models
- Color trim rings available as accessory
- Up to 88 LPW
- 2700K, 3000K, 4000K, and 5000K color temperatures
- CRI >90 (R9 >50)
- Energy savings up to 88%

### Electrical

- 120VAC
- Power Factor >0.9
- THD <20%
- Phase-cut dimmable

### Rated Life

- 25,000 hours (L<sub>70</sub>)

### Warranty

- 3-year
- NLB Trusted Warranty Program

### Operating Temperature

- -4°F to + 104°F (-20°C to +40°C)

RT4



RT5/6



### Wattage Comparison

Traditional Source	Traditional System Wattage	LED System Wattage	Energy Savings
Incandescent	60	7	88%
Incandescent	65	8	88%

### Certifications and Listings

- cETLus
- RoHS
- FCC
- ENERGY STAR®
- Wet rated
- Title 24
- Title 20



## Specification Data

Catalog #	Type
Project	
Comments	
Prepared by	

## Ordering Guide

<b>RT</b>	<b>XX</b>	<b>1A</b>	<b>X00</b>	<b>S</b>	<b>T</b>	<b>9</b>	<b>XX</b>	<b>XX</b>	<b>WH</b>	<b>E26</b>
Product Name	Size	Generation	Lumens	Voltage	Dimming	CRI	Color Temp	Reflector Type	Color/Finish	Base Type
RT = LED Downlight	4 = Suitable for 4" cans 5/6 = Suitable for 5/6" cans	1A = Generation 1A	600 = 600 lumens 700 = 700 lumens	S = 120V	T = Triac Dimming	9 = CRI > 90	27 = 2700K 30 = 3000K 40 = 4000K 50 = 5000K	SM = Smooth BA = Baffle	WH = White	E26 = Medium Base

## Ordering Information

Item Number	Ordering Abbreviation	Power (W)	Input Voltage (V)	Dimming	CRI	Color Temp	Distribution	Total Fixture Lumens (lm)	LPW	Reflector	Base
62858	RT41A600ST927SMWHE26	7	120V	Phase Cut	>90	2700K	90°	600	86	Smooth	E26
62859	RT41A600ST930SMWHE26	7	120V	Phase Cut	>90	3000K	90°	600	86	Smooth	E26
62864	RT41A600ST930BAWHE26	7	120V	Phase Cut	>90	3000K	90°	600	86	Baffle	E26
62860	RT561A700ST927SMWHE26	8	120V	Phase Cut	>90	2700K	90°	700	88	Smooth	E26
62861	RT561A700ST930SMWHE26	8	120V	Phase Cut	>90	3000K	90°	700	88	Smooth	E26
62862	RT561A700ST940SMWHE26	8	120V	Phase Cut	>90	4000K	90°	700	88	Smooth	E26
62863	RT561A700ST950SMWHE26	8	120V	Phase Cut	>90	5000K	90°	700	88	Smooth	E26
62865	RT561A700ST930BAWHE26	8	120V	Phase Cut	>90	3000K	90°	700	88	Baffle	E26

## Dimmer Compatibility

Make	Leading or Trailing Edge	Model
Leviton SureSlide	L	6674
Lutron Maestro C-L	L	MACL-153M
Lutron Diva	L	DVCL-153P
Lutron Caseta	L	PD-6WCL
Legrand Radiant	L	RHCL453P
Lutron Diva	T	DVELV-300P
Lutron Maestro	T	MAELV-600

## Accessories

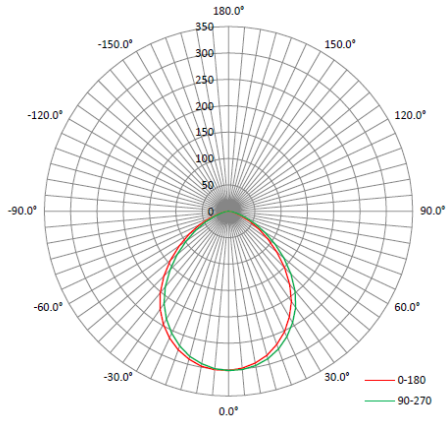
### Color Trim Rings

Item Number	Ordering Abbreviation	Description	Compatible With
62498	RT4TRIMBLKSM1A	4" Black Trim Ring	RT4
62499	RT4TRIMORBZSM1A	4" Oil Rubbed Bronze Trim Ring	RT4
62500	RT4TRIMSNM1A	4" Satin Nickel Trim Ring	RT4
62501	RT56TRIMBLKSM1A	5-6" Black Trim Ring	RT5/6
62502	RT56TRIMORBZSM1A	5-6" Oil Rubbed Bronze Trim Ring	RT5/6
62503	RT56TRIMSNM1A	5-6" Satin Nickel Trim Ring	RT5/6

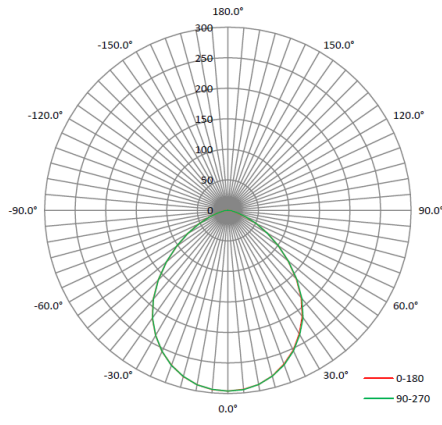


# Photometric Information

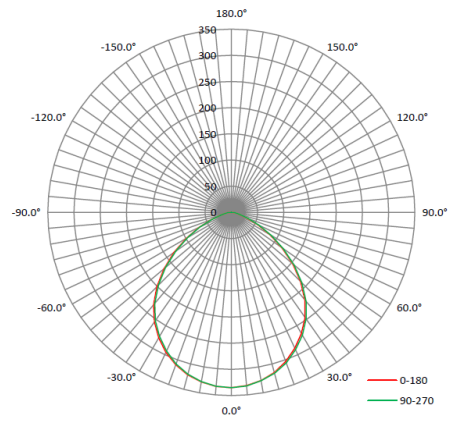
62858



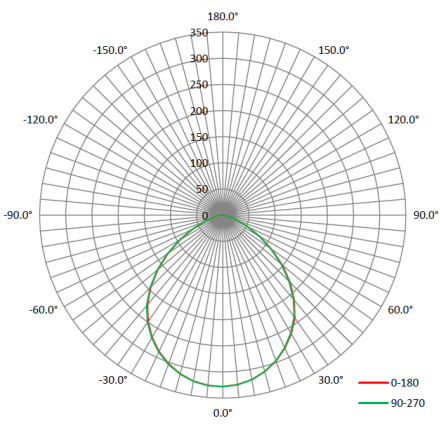
62859/62864



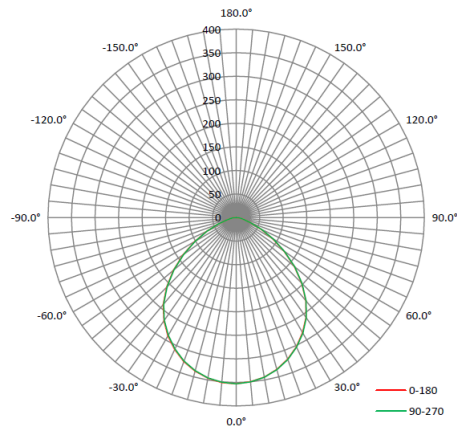
62860



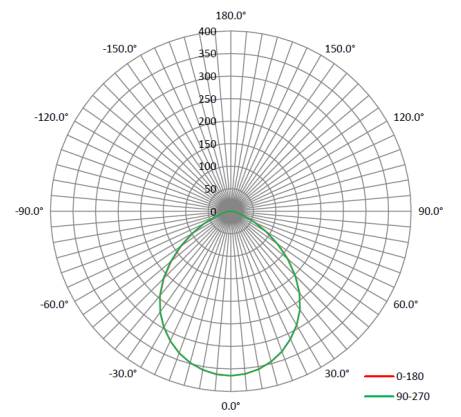
62861/62865



62862

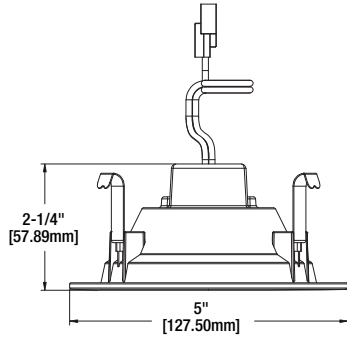


62863

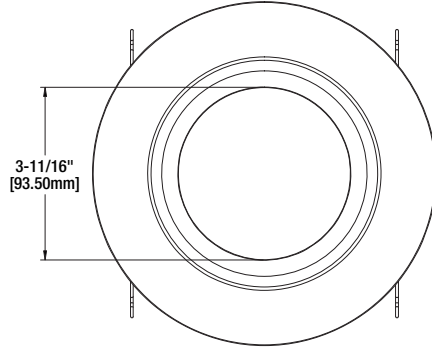
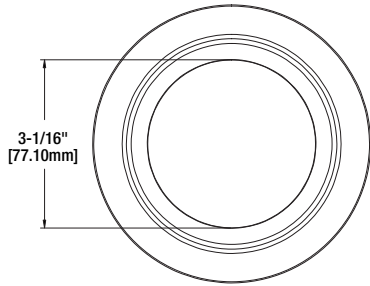
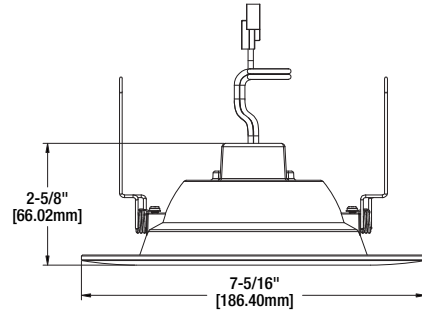


## Physical Information

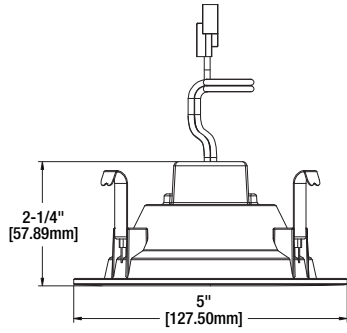
62858/62859



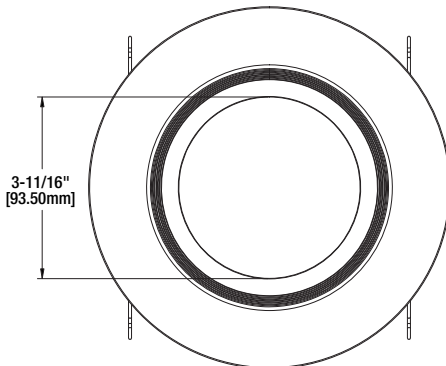
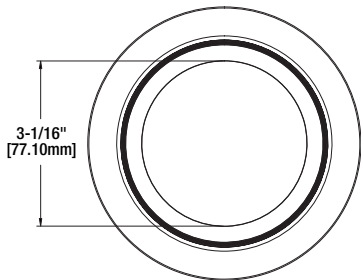
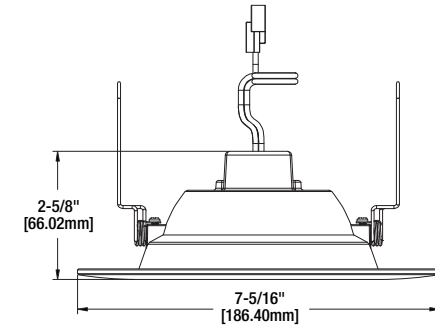
62860/62863



62864



62865

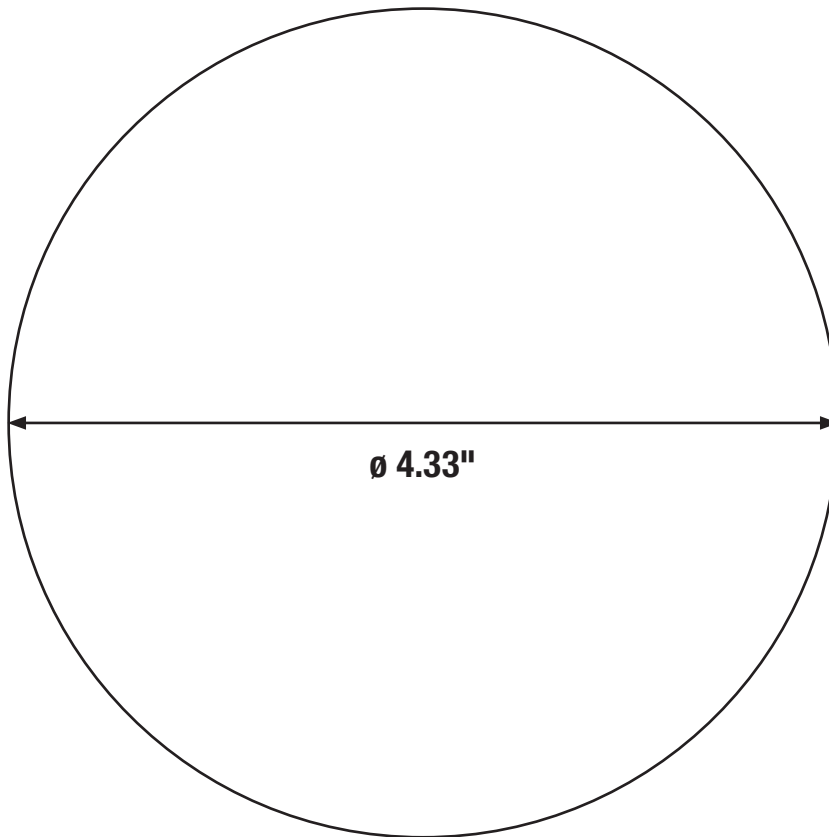


## Installation

- Suitable for indoor and outdoor dry, damp and wet locations.
- The RT4 & RT5/6 Screw-based recessed downlight kits are dimmable down to 10% of full light output with compatible dimmers. The minimum dimming value is based on light output using compatible dimmers, and may not be an indication of the kit's full rated capability.
- Not intended for use with emergency light fixtures or exit lights.
- For use in housings that can structurally support a lamp weighing one pound.
- RT5/6 designed to install in standard 5" and 6" insulated and non-insulated housings.

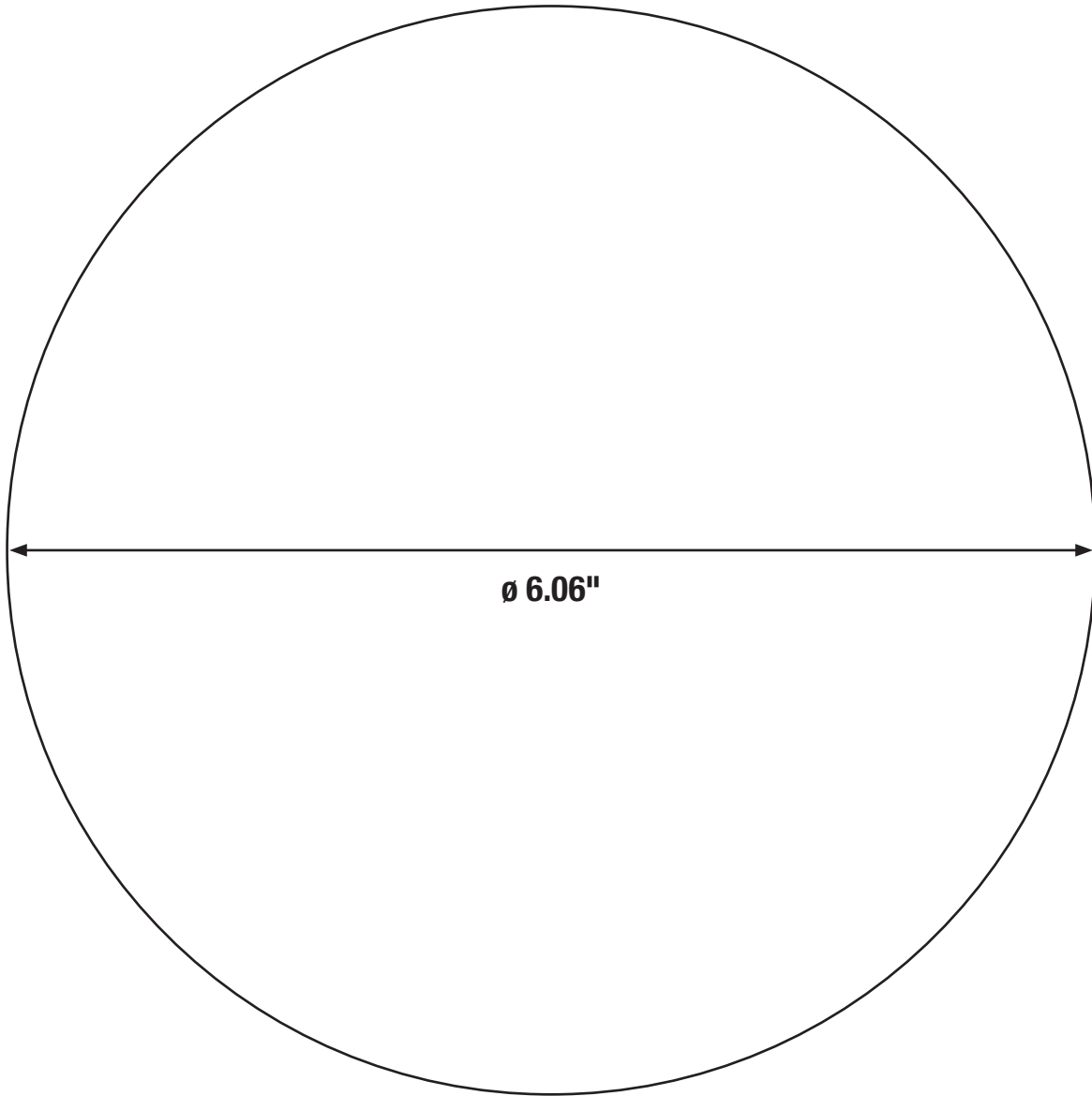
## Hole Cut Templates

### RT4 Hole Cut Template



## Hole Cut Templates

### RT6 Hole Cut Template



LEDVANCE LLC  
181 Ballardvale Street  
Wilmington, MA 01887 USA  
Phone 1-800-LIGHTBULB (1-800-544-4828)  
[www.ledvanceUS.com](http://www.ledvanceUS.com)

SYLVANIA and LEDVANCE are registered trademarks.  
All other trademarks are those of their respective owners.  
Licensee of product trademark SYLVANIA in general lighting.  
Specifications subject to change without notice.

 /sylvania  /sylvania

© 2022 LEDVANCE LLC

