

# LITETRONICS®

## LED Hazardous Location High Bay Installation Instructions

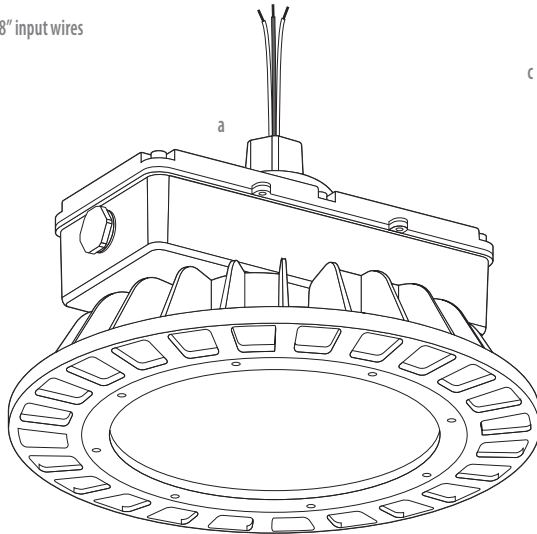
Ordering Code: HBE Series | Class 1, Div 2

### WHAT COMES IN THE BOX

- (a) Hazardous Location High Bay with 18" input wires
- (b) Hex screw with nut (1) for pendant
- (c) Installation instructions

### TOOLS NEEDED

- 1/4" socket or adjustable wrench
- 10" adjustable wrench or 1-3/16" socket for NPT plug
- Petrolatum (petroleum jelly) or soap thickened mineral oil



### SAFETY INSTRUCTIONS AND WARNINGS

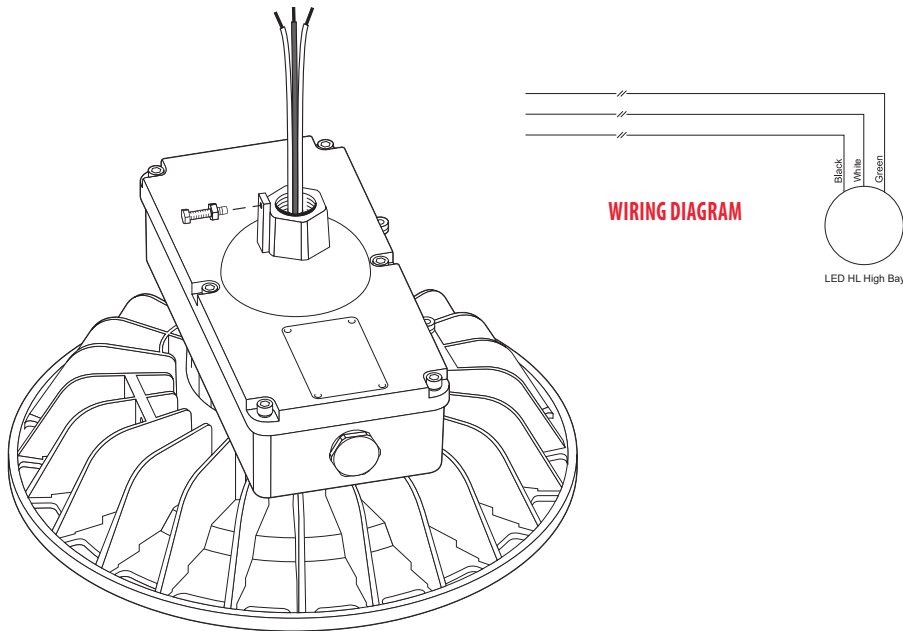
WHEN USING ELECTRICAL EQUIPMENT, BASIC SAFETY PRECAUTIONS SHOULD ALWAYS BE OBSERVED

#### READ AND FOLLOW ALL SAFETY INSTRUCTIONS.

- Consult a qualified electrician to ensure correct branch circuit conductor.
- This product must be installed in accordance with the applicable installation code by a person familiar with the construction and operation of the product and the hazards involved.
- Installation should only be conducted by a qualified electrician in accordance with NEC and any relevant local building codes.
- Risk of fire or electric shock. High Bay installation requires knowledge of luminaires electrical systems. If not qualified, do not attempt installation. Contact a qualified electrician.
- Be certain electrical power is OFF before and during installation and maintenance.
- Luminaire must be connected to a suitable wiring system with an equipment-grounding conductor in accordance with the National Electrical Code and Canadian Electrical Code for the specific hazardous locations.
- Make sure the supply voltage is the same as the rated luminaire voltage as specified on the nameplate.
- Keep combustible and other materials that can burn, away from lamp/lens.
- To prevent wiring damage or abrasion, do not expose wiring to edges of sheet metal or sharp objects.
- No user serviceable parts inside of High Bay luminaires.
- Secure heat sink with safety cable.
- For supply connections use wires rated 600V and 75C minimum

## PENDANT MOUNTING - INSTALLATION PROCEDURE

1. Turn off power at the circuit breaker.
2. Apply petrolatum (petroleum jelly) or soap thickened mineral oil to the internal threads of the pendant conduit hub.
3. Route the supply lead wires (No. 14 AWG 105C 600V 18 inch long) exiting the 3/4 inch NPT conduit hub of the luminaire through the conduit.
4. Make appropriate supply and ground connections to the lead wires from the luminaire following the wiring diagram below for connection identifications.
5. Thread the conduit (pendant) into the conduit hub with at least 5 full threads engagement.
6. Tighten Pendant hex screw.



### 120V & 277V

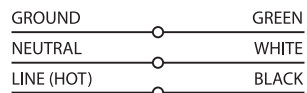


figure 1

\*For 240V, follow 480V wiring instructions

### 480V

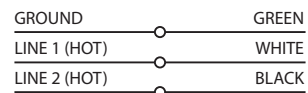
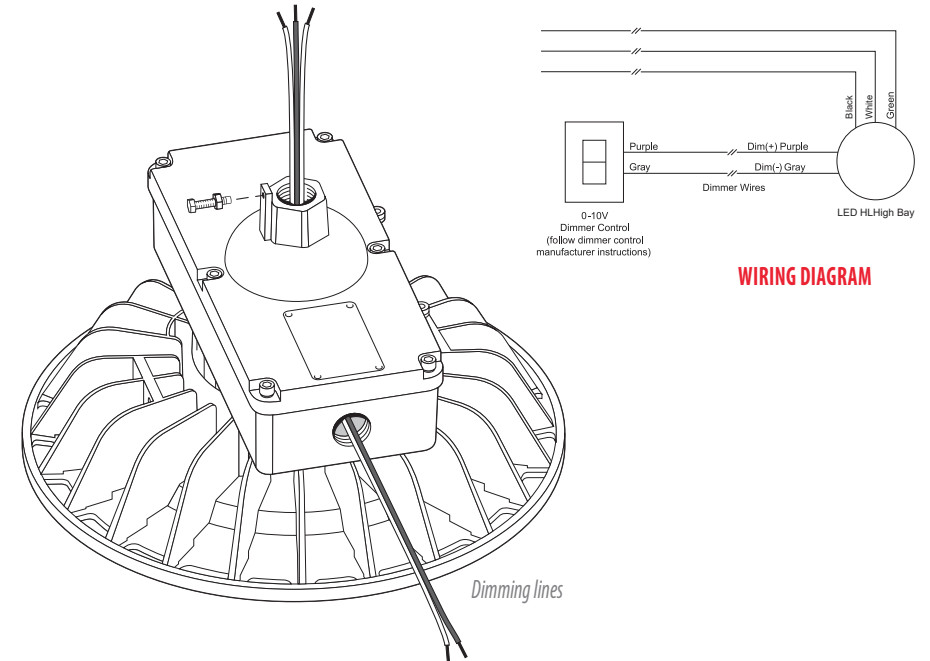


figure 2

\*For 347V, follow 120-277V wiring instructions

## 0-10V DIMMING - INSTALLATION PROCEDURE

1. Remove the unused NPT Plug.
2. Pull out the 10 Vdc maximum No. 22 AWG 105C 300V dimming wires (2 total) for dimming option.
3. Apply petrolatum (petroleum jelly) or soap thickened mineral oil to the internal threads of the pendant conduit hub.
4. Route dimming circuit wires through the conduit.
5. Connect the dimming circuit to a suitable dimming control using wiring system suitable for the specific hazardous locations per wiring diagram below.
6. The dimming control must be installed in and suitable for ordinary (unclassified) locations.
7. Restore power at circuit breaker and subsequently switch on dimmer (if applicable).



### 120V & 277V

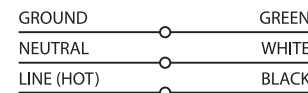


figure 1

\*For 240V, follow 480V wiring instructions

### 480V

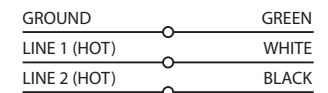


figure 2

\*For 347V, follow 120-277V wiring instructions



Thank you for choosing

**LITETRONICS®**

6969 W. 73rd Street  
Bedford Park, IL 60638

WWW.LITETRONICS.COM

CustomerService@Litetronics.com or 1-800-860-3392



The information and product specifications contained in these instructions are based upon data believed to be accurate at the time of printing. This information is subject to change without notice and without incurring liability. If you have questions regarding specific product details, please contact us at 800-860-3392 or via email at [customerservice@litetronics.com](mailto:customerservice@litetronics.com).

To check for an updated version of these instructions, please visit [www.litetronics.com](http://www.litetronics.com).

v4 (2/26/19)