

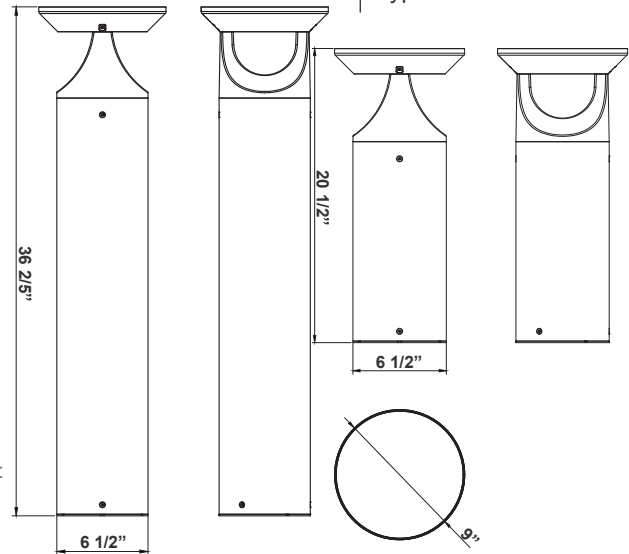
BOL-G4 SERIES Outdoor Lighting

BOL-G4-301-SOLAR-40K-BR
BOL-G4-301-SOLAR-40K-BK
SOLAR G4 MODULAR BOLLARD SYSTEM

Customer Name: _____

Project Name: _____

Note: _____ Type: _____



36 2/5" (H) x 6 1/2" (W) x 9" (D)
20 1/2" (H) x 6 1/2" (W) x 9" (D)

Bollards are designed for walkways, entrance ways, drives and other small-area lighting applications where low mounting heights are desirable

Features

- Corrosion Resistant Aluminum for Exterior
- 7-Year Warranty

Technical Specifications

Electrical:

- Wattage: 3W
- Power Factor: >0.9
- Efficacy: 130 LPW

Mechanical:

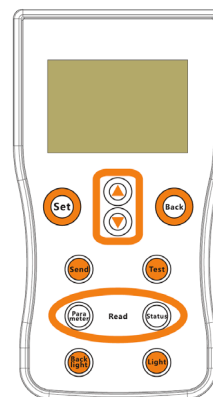
- Flat Top with Cone Reflector & Frosted Lens
- Corrosion Resistant Aluminum for Exterior
- Mounting Accessories & Anchor Bolts Included (7-1/2" long)
- Operating Temperature: -40°F to 113°F
- 7 Years Warranty
- IP Rating: IP65, Wet Locations

Lighting:

- Lumens: 390LM Max.
- Color Temperatures: 4000K
- Color Rendering Index: CRI ≥ 70
- Beam Angle : 360°
- Lifespan: 70000 Hours

Applications:

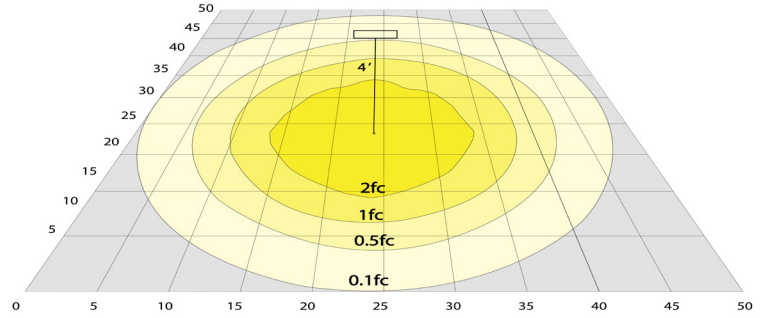
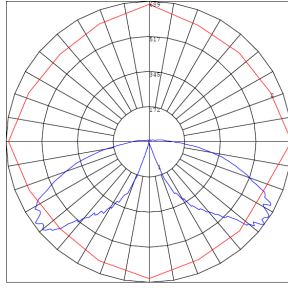
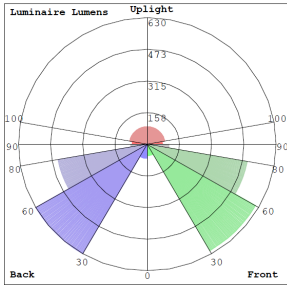
- Bollards are designed for walkways, entrance ways, drives and other small-area lighting applications where low mounting heights are desirable



- The BOL-G4-SOLAR-RC remote control is needed per job. 1 remote control can control all the fixtures. order 1 per job.
- see the instruction on page 3



Photometrics: BOL-G4-301-SOLAR-40K



BUD Rating: B1-U3-G2

Area 75'x 65' Mounting Height: 4'

Other Views:



Head



Shaft
Avail.in:14"/ 30"
(Sold Separately)



Anchor Bolts
& Mounting Plate
(Sold Separately)



BOL-G4-301-SOLAR-40K-BK
G4 BOLLARD HEAD MODEL 301

BOL-G4-SHAFT-14-BK
BOL-G4-SHAFT-30-BK

BOL-G4-ABK-R



Head



Shaft
Avail.in:14"/ 30"
(Sold Separately)



Anchor Bolts
& Mounting Plate
(Sold Separately)



BOL-G4-301-SOLAR-40K-BR
G4 BOLLARD HEAD MODEL 301

BOL-G4-SHAFT-14-BR
BOL-G4-SHAFT-30-BR

BOL-G4-ABK-R

Performance Table: BOL-G4-301-SOLAR-40K

MODEL NO.	Wattage	Voltage	Lumens	Color Temp.	BUG Rating	LPW
BOL-G4-301-SOLAR-40K-BK BOL-G4-301-SOLAR-40K-BR	3W	120~277V	290LM	4000K	B1-U3-G2	130

Accessories:

Blank = No Option For Accessories
 BOL-G4-SHAFT-14-BK = G4 Bollard Shaft 14 Inch, Black
 BOL-G4-SHAFT-14-BR = G4 Bollard Shaft 14 Inch, Bronze
 BOL-G4-SHAFT-30-BK = G4 Bollard Shaft 30 Inch, Black
 BOL-G4-SHAFT-30-BR = G4 Bollard Shaft 30 Inch, Bronze
 BOL-G4-ABK-R = G4 Bollard Round Replacement Anchor
 BOL-G4-SOLAR-RC = Remote Control, Required 1 Per Projects

ACCESSORIES:



BOL-G4-ABK-R



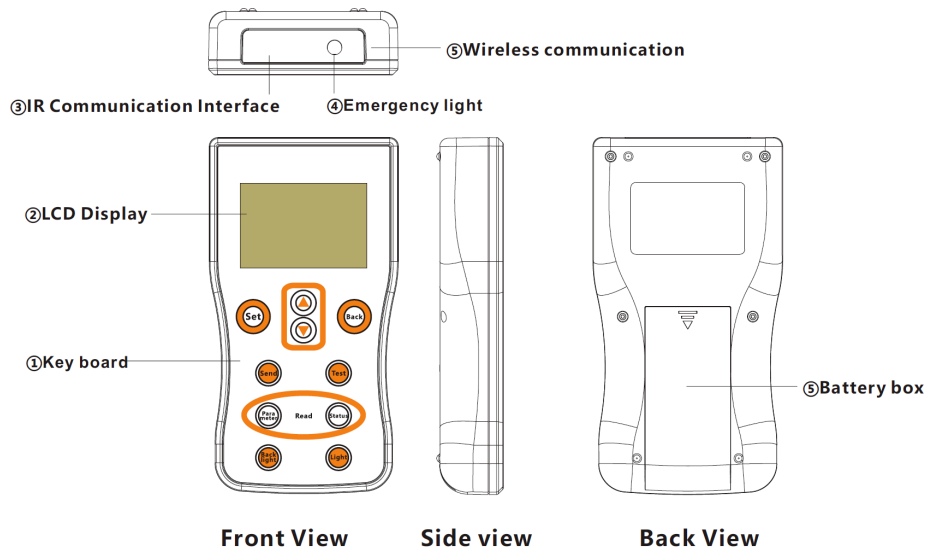
BOL-G4-SOLAR-RC



Electrical Information:

Solar Panel Wattage	5W							
Charging Time	8>Hours							
Operating Time	Normal Mode> 11 Hours, Intelligent Mode 2-3 Days							
Working Mode	Lighting Scheme	Time 1	Time 2	Time 3	Time4	Time 5	Energy Consumption	Working Hours In Rainy Day
	1 (Factory Default)	6H x 30%	0H x 100%	0H x 100%	TOT x 0%	1H x 30%	7.4Wh	4-5 Days
	2	6H x 30%	6H x 30%	0H x 100%	0H x 0%	0H x 100%	12.6Wh	3-4 Days
	3	6H x 50%	6H x 30%	0H x 100%	0H x 0%	0H x 100%	16.8Wh	2-3 Days
	4	4H x 70%	4H x 30%	4H x 30%	0H x 0%	0H x 100%	18.2Wh	1-2 Days
	5	4H x 100%	2H x 50%	0H x 100%	0H x 0%	0H x 100%	17.5Wh	2-3 Days
	6	2H x 50%	4H x 30%	0H x 100%	TOT x 20%	1H x 30%	12.3Wh	3-4 Days
	7	4H x 80%	2H x 30%	0H x 100%	TOT x 0%	1H x 80%	16.1Wh	2-3 Days

Remote Control Instructions:



Key Name	Function	Long press key function
Set	Parameter setting/ confirmation	Press "Set" and "Light" key to lock or unlock the parameters
▲	1. Menu Page Up 2. Increase the setting data	Continuous increase the setting data
▼	1. Menu Page Down 2. Decrease the setting data	Continuous decrease the setting data
Back	Return to the menu / exit	Press "Set" and "Back" key to enter the communication selection interface
Send	Send Parameters	_____
Test	Test the setting	_____
Read	Parameter	Read Parameters
	Status	Read running status
Backlight	Turn on the LCD backlight	Press "Backlight" and "Back" key to enter or exit the transport mode
Light	1. Open the emergency lighting 2. SOS lights switch	Press "Light" and "Set" key to lock or unlock the parameters



Solar Radiation:

