



**Technical Specifications (continued)****Finish:**

White

**Enclosure Material:**

Metal

**Trim Style:**

Smooth

**Lens:**

Polycarbonate light diffuser distributes light evenly and smoothly for general lighting applications

**Cut Out Template Size:**

4 5/16"

**Compliance****Listings:**

UL Recognized, UL Classified

**IC Rated:**

No

**Air Tight:**

No

**Energy Star Approved:**

This product is ENERGY STAR® Version 2.2 Certified

**Energy Star ID:**

2369206

**DLC Listed:**

No

**Model Number for Certification:**

DLG0010(RA4R89FA120WS)

**T20 Compliant:**

Can be used to conform with the requirements of California Title 20

**California Title 24 JA8 Compliant:**

Can be used to conform with the requirements of California Title 24 Part 6

**California Energy Commission (CEC) Status:**

Lawful for Sales in California

**NEC Compliant:**

Suitable for use in closets. Compliant with NEC Sec. 410.16 (A)(1) and 410.16 (C3).

**IESNA LM-79 & LM-80 Testing:**

RAB LED luminaires and LED components have been tested by an independent laboratory in accordance with IESNA LM-79 and LM-80.

**RoHS:**

Mercury and UV free. RoHS-compliant components.

**FCC:**

Complies with Part 15B of the FCC Rules

**Other****Accessories:**[DRI-25-EMGR-DC](#)

Battery Backup Driver

[DRI-21-EMGR-DC-D10](#)

Battery Backup Driver T20

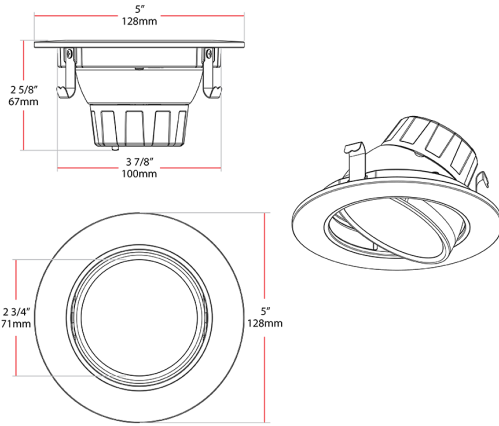
**Warranty:**RAB warrants that our LED products will be free from defects in materials and workmanship for a period of five (5) years from the date of delivery to the end user, including coverage of light output, color stability, driver performance and fixture finish. RAB's warranty is subject to all terms and conditions found at [rablighting.com/warranty](http://rablighting.com/warranty).**Note:**

All values are typical (tolerance +/- 10%)

**Buy American Act Compliance:**

RAB values USA manufacturing! Upon request, RAB may be able to manufacture this product to be compliant with the Buy American Act (BAA). Please contact customer service to request a quote for the product to be made BAA compliant.

**Dimensions**



**Features**

- Use to replace traditional halogen and incandescent light sources
- Durable metal construction: dent and scratch resistant
- 5 Color temperature selectable 2700K, 3000K, 3500K, 4000K, & 5000K
- Compatible with most standard recessed housings
- Color trims sold separately

**Ordering Matrix**

Family	Size	Shape	Wattage	CRI/Color Temp	Voltage	Finish	Trim
RA	4	R	8	9FA	120	W	S
	4 = 4" 6 = 6"	R = Round	8 = 8W 10 = 10W 11 = 11W	9FA = 90 CRI, 2700K/3000K/3500K/4000K/5000K	120 = 120V	W = White	S = Smooth