

ULTRA LED™ CL Lamp

Medium Base Retrofit for Ceiling Light Fixtures



The ULTRA LED CL Lamp screws into most existing plastic and porcelain lamp holders without any wiring required. Also installs in junction boxes for new construction applications.

Key Features & Benefits

- Lumen package:
 - 700 lumens @ 9 watts (without pull chain)
 - 1200 lumens @ 15 watts (with pull chain)
 - 2500 lumens @ 31 watts (without pull chain)
- Replacement for 65W incandescent
- CCT: 2700K & 4000K
- CRI of 82
- Reduces energy consumption up to 86%
- 50,000 hours life (L₇₀)
- Suitable for damp and dry locations
- Save up to \$308 over the life of the fixture and last 25X longer
- 5 year warranty
- Easy installation

Product Offering

| Ordering Abbreviation | Wattage | Color Temperature | CRI |
|-----------------------|---------|-------------------|-----|
| LED/700/CL | 9 | 2700K, 4000K | 82 |
| LED/1200/CL | 15 | 2700K, 4000K | 82 |
| LED/2500/CL | 31 | 2700K, 4000K | 82 |

Application Information

Applications

- Indoor
- Closets
- Basements

Application Notes

1. Should not be directly exposed to water/humidity.
2. For detailed warranty information, please see www.sylvania.com/warranty.
3. Not intended for use in dimming applications.
4. Suitable for use in closets, as defined in NEC® Section 410.16.

Specifications and Certifications



Specification Data

| | |
|-------------|------|
| Catalog # | Type |
| Project | |
| Comments | |
| Prepared by | |

Specifications

Energy Data

Minimum Starting Temp: -20°F
EMI/RFI: FCC Title 47 CFR, Part 15, Class B
Sound Rating: <24dBA
Input Voltage: 120V

Power Factor: >0.90
Input Frequency: 60Hz
Input Power: 9W, 15W, 31W
Maximum Ambient Operating Temperature: 130°F

Lighting Data

Lumen Output: 700, 1200, 2500
Lumens per Watt: >77

Color

Correlated Color Temperature (CCT): 2700K, 4000K
Color Rendering Index (CRI): 82
R9: 15
Product Weight: 2.3 lbs.

Ordering Information

| Item Number | Ordering Abbreviation | Fixture Diameter (in) | Nominal Wattage (W) | Lamp Base | Delivered Light Output (lm) | Color Temperature | CRI | Avg. Rated Life (hrs.)* | Pull Chain |
|-------------|-----------------------|-----------------------|---------------------|--------------|-----------------------------|-------------------|-----|-------------------------|------------|
| 75080 | LED/700/CL/827/RP | 7 | 9 | Medium (E26) | 700 | 2700K | 82 | 50,000 | No |
| 75081 | LED/700/CL/840/RP | 7 | 9 | Medium (E26) | 700 | 4000K | 82 | 50,000 | No |
| 75112 | LED/1200/CL/827/RP | 7 | 15 | Medium (E26) | 1200 | 2700K | 82 | 50,000 | Yes |
| 75113 | LED/1200/CL/840/RP | 7 | 15 | Medium (E26) | 1200 | 4000K | 82 | 50,000 | Yes |
| 75123 | LED/2500/CL/827/RP | 11 | 31 | Medium (E26) | 2500 | 2700K | 82 | 50,000 | No |
| 75124 | LED/2500/CL/840/RP | 11 | 31 | Medium (E26) | 2500 | 4000K | 82 | 50,000 | No |

* LED lamp life is defined as the number of hours when 50% of an average group of identical lamps reached 70% of its initial lumens.

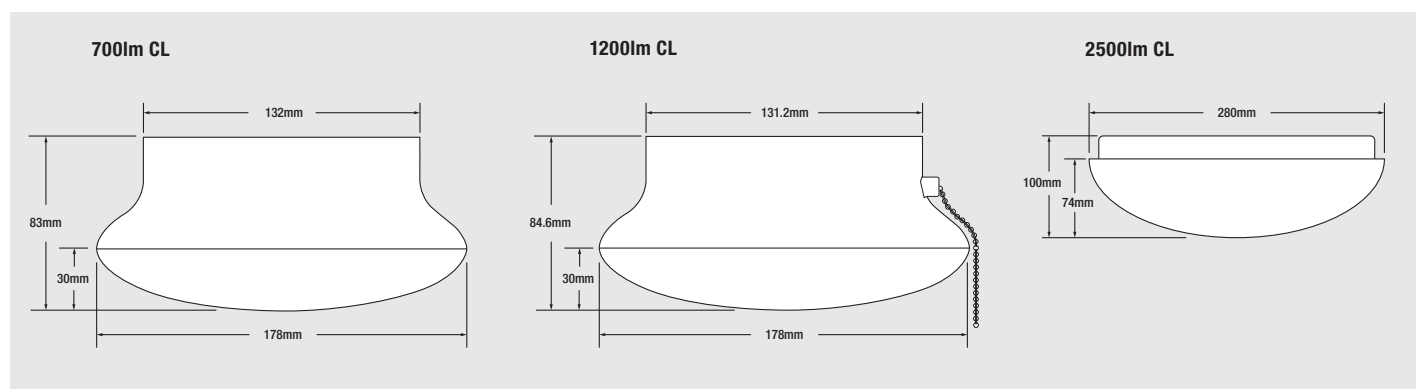
Ordering Guide

| LED | / | 700 | / | CL | / | 8 | 27 |
|-----|---|---------------------------------|---|-------------------------------|---|---------|--|
| LED | | Light Output 700lm or 1200lm | | Product Name Ceiling Light | | CRI >80 | Color Temperature 2700K 4000K |

Energy Savings

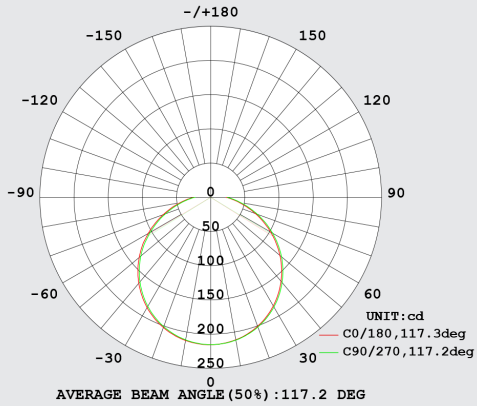
| Product Description | LED Lumens | LED Life | Traditional Lamp Type | Lumens | Life | Watts Saved | Energy Savings | Life Benefit |
|---------------------|------------|----------|-----------------------|--------|------|-------------|----------------|--------------|
| LED/CL/700 | 700 | 50,000 | Incandescent 65BR30 | 680 | 2000 | 56 | \$308.00 | 25x |
| LED/CL/1200 | 1200 | 50,000 | 100W Incandescent | 1200 | 2000 | 85 | \$467.00 | 25x |

Dimensions



Photometric Information

700lm CL



Zonal Lumen Distribution

| Zone | Lumens | % Fixture |
|---------|--------|-----------|
| 0-30 | 174.69 | 23.20 |
| 0-40 | 287.73 | 38.30 |
| 0-60 | 518.16 | 68.90 |
| 0-80 | 672.53 | 89.50 |
| 60-80 | 154.36 | 20.50 |
| 70-80 | 63.52 | 8.50 |
| 80-90 | 37.51 | 5.00 |
| 90-110 | 30.34 | 4.00 |
| 90-120 | 35.97 | 4.80 |
| 90-130 | 39.01 | 5.20 |
| 90-150 | 41.28 | 5.50 |
| 90-180 | 41.66 | 5.50 |
| 110-180 | 11.33 | 1.50 |
| 0-180 | 751.70 | 100.00 |

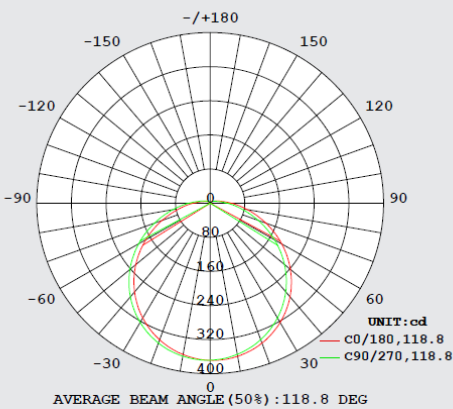
Illuminance

| | Edge | Center | Beam Diameter |
|-------|---------|---------|---------------|
| 2 ft | 56.0 fc | 56.0 fc | 6.9 ft |
| 4 ft | 13.8 fc | 14.0 fc | 13.9 ft |
| 6 ft | 6.1 fc | 6.2 fc | 20.8 ft |
| 8 ft | 3.5 fc | 3.5 fc | 27.7 ft |
| 10 ft | 2.2 fc | 2.2 fc | 34.6 ft |
| 12 ft | 1.5 fc | 1.6 fc | 41.6 ft |

Spacing to Mounting Height Ratio

| | |
|-----------------------------|------|
| Spacing Criteria (0-180°) | 1.28 |
| Spacing Criteria (90-270°) | 1.30 |
| Spacing Criteria (Diagonal) | 1.40 |

1200lm CL



Zonal Lumen Distribution

| Zone | Lumens | % Fixture |
|---------|---------|-----------|
| 0-30 | 310.81 | 23.20 |
| 0-40 | 511.73 | 38.30 |
| 0-60 | 921.16 | 68.70 |
| 0-80 | 1196.1 | 89.20 |
| 60-80 | 274.95 | 20.50 |
| 70-80 | 113.51 | 8.50 |
| 80-90 | 68.29 | 5.10 |
| 90-110 | 55.54 | 4.10 |
| 90-120 | 65.85 | 4.90 |
| 90-130 | 71.46 | 5.30 |
| 90-150 | 75.69 | 5.60 |
| 90-180 | 76.48 | 5.70 |
| 110-180 | 20.94 | 1.60 |
| 0-180 | 1340.88 | 100.00 |

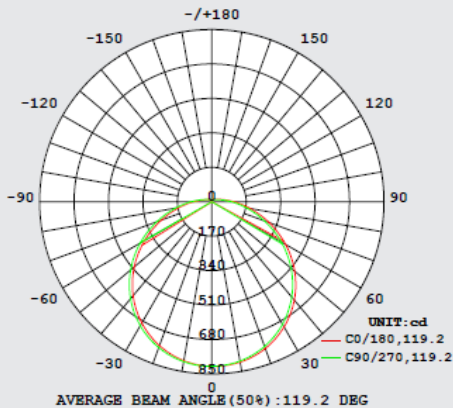
Illuminance

| | Edge | Center | Beam Diameter |
|-------|--------|---------|---------------|
| 2 ft | 6.8 fc | 99.5 fc | 6.7 ft |
| 4 ft | 1.7 fc | 24.9 fc | 13.3 ft |
| 6 ft | 0.8 fc | 11.1 fc | 20.0 ft |
| 8 ft | 0.4 fc | 6.2 fc | 26.6 ft |
| 10 ft | 0.3 fc | 4.0 fc | 33.3 ft |
| 12 ft | 0.2 fc | 2.8 fc | 39.6 ft |

Spacing to Mounting Height Ratio

| | |
|-----------------------------|------|
| Spacing Criteria (0-180°) | 1.26 |
| Spacing Criteria (90-270°) | 1.28 |
| Spacing Criteria (Diagonal) | 1.40 |

2500lm CL



Zonal Lumen Distribution

| Zone | Lumens | % Fixture |
|---------|---------|-----------|
| 0-30 | 637.5 | 22.50 |
| 0-40 | 1052.55 | 37.20 |
| 0-60 | 1904.26 | 67.20 |
| 0-80 | 2483.99 | 87.70 |
| 60-80 | 579.73 | 20.50 |
| 70-80 | 241.06 | 8.50 |
| 80-90 | 148.01 | 5.20 |
| 90-110 | 126.23 | 4.50 |
| 90-120 | 153.37 | 5.40 |
| 90-130 | 171.25 | 6.00 |
| 90-150 | 191.45 | 6.80 |
| 90-180 | 200.31 | 7.10 |
| 110-180 | 74.07 | 2.60 |
| 0-180 | 2832.31 | 100.00 |

Illuminance

| | Edge | Center | Beam Diameter |
|-------|---------|----------|---------------|
| 2 ft | 13.4 fc | 200.3 fc | 6.8 ft |
| 4 ft | 3.4 fc | 50.8 fc | 13.5 ft |
| 6 ft | 1.5 fc | 22.6 fc | 20.3 ft |
| 8 ft | 0.8 fc | 12.7 fc | 27.1 ft |
| 10 ft | 0.5 fc | 8.1 fc | 33.8 ft |
| 12 ft | 0.4 fc | 5.6 fc | 40.6 ft |

Spacing to Mounting Height Ratio

| | |
|-----------------------------|------|
| Spacing Criteria (0-180°) | 1.28 |
| Spacing Criteria (90-270°) | 1.28 |
| Spacing Criteria (Diagonal) | 1.42 |

LEDVANCE LLC
 200 Ballardvale Street
 Wilmington, MA 01887 USA
 Phone 1-800-LIGHTBULB (1-800-544-4828)
 www.sylvania.com

SYLVANIA and LEDVANCE are registered trademarks.
 All other trademarks are those of their respective owners.
 Licensee of product trademark SYLVANIA in general lighting.
 Specifications subject to change without notice.

