



Color: Bronze

Weight: 26.0 lbs

<b>Project:</b>	<b>Type:</b>
<b>Prepared By:</b>	<b>Date:</b>

Driver Info		LED Info	
Type	Constant Current	Watts	104W
120V	0.95A	Color Temp	3000K (Warm)
208V	0.59A	Color Accuracy	71 CRI
240V	0.51A	L70 Lifespan	100,000 Hours
277V	0.44A	Lumens	13,728 lm
Input Watts	108.4W	Efficacy	126.6

## Technical Specifications

### Compliance

#### UL Listed:

UL Suitable for Wet Locations as Uplight and Downlight

#### IP Rating:

Ingress protection rating of IP66 for dust and water

#### IESNA LM-79 & LM-80 Testing:

RAB LED luminaires and LED components have been tested by an independent laboratory in accordance with IESNA LM-79 and LM-80.

#### DLC Listed:

This product is listed by Design Lights Consortium (DLC) as an ultra-efficient premium product that qualifies for the highest tier of rebates from DLC Member Utilities. Designed to meet DLC 5.1 requirements.

DLC Product Code: P000017BK

### Construction

#### Standard Mount:

Standard 15° mount. Die-cast aluminum wall bracket with (5) 1/2" conduit openings with plugs. Two piece bracket with tether for ease of installation and wiring.

#### Cold Weather Starting:

The minimum starting temperature is -40°C (-40°F)

#### Maximum Ambient Temperature:

Suitable for use in up to 40°C (104°F)

#### Housing:

Precision die-cast aluminum housing, lens frame

#### Arm:

Die-cast aluminum with wiring access plate

#### Lens:

Tempered glass

#### Reflector:

Specular vacuum metallized polycarbonate

#### Gaskets:

High-temperature silicone

#### Green Technology:

Mercury and UV free. RoHS-compliant components.

#### EPA:

- 1 Fixture: 2.0
- 2 Fixtures at 90°: 3.5
- 2 Fixtures at 180°: 4.0
- 3 Fixtures at 90°: 4.5
- 4 Fixtures at 90°: 4.5

### LED Characteristics

#### LEDs:

Four multi-chip, high-output, long-life LEDs

#### Color Consistency:

3-step MacAdam Ellipse binning to achieve consistent fixture-to-fixture color

#### Color Stability:

LED color temperature is warrantied to shift no more than 200K in color temperature over a 5-year period

#### Color Uniformity:

RAB's range of Correlated Color Temperature follows the guidelines of the American National Standard for Specifications for the Chromaticity of Solid State Lighting (SSL) Products, ANSI C78.377.2011.

### Electrical

#### Driver:

Constant current, Class 1, 120-277V, 50/60 Hz, 4kV Surge Protection, 120V: 0.95A, 208V: 0.59A, 240V: 0.51A, 277V: 0.44A

#### Dimming Driver:

Driver includes dimming control wiring for 0-10V dimming systems. Requires separate 0-10V DC dimming circuit. Dims down to 10%.

#### THD:

5.22% at 120V, 7.4% at 277V

#### Power Factor:

99.7% at 120V, 92.4% at 277V

## Technical Specifications (continued)

### Performance

#### Lifespan:

100,000-Hour LED lifespan based on IES LM-80 results and TM-21 calculations

#### Wattage Equivalency:

Equivalent to 400W Metal Halide

### Other

#### Patents:

The design of the ALED104 is protected by patents pending in US, Canada, China, Taiwan and Mexico

#### Warranty:

RAB warrants that our LED products will be free from defects in materials and workmanship for a period of five (5) years from the date of delivery to the end user, including coverage of light output, color stability, driver performance and fixture finish. RAB's warranty is subject to all terms and conditions found at [rablighting.com/warranty](http://rablighting.com/warranty).

#### Buy American Act Compliance:

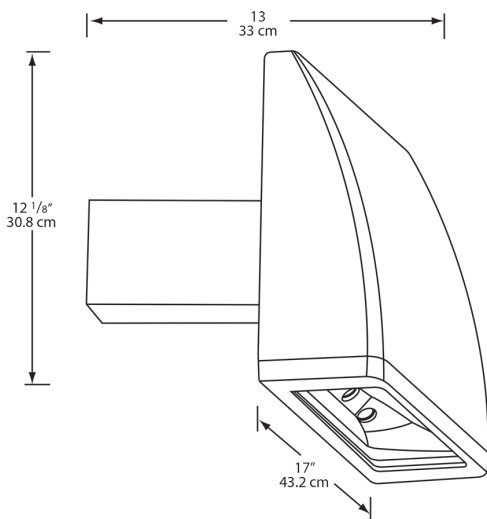
RAB values USA manufacturing! Upon request, RAB may be able to manufacture this product to be compliant with the Buy American Act (BAA). Please contact customer service to request a quote for the product to be made BAA compliant.

### Optical

#### BUG Rating:

B1 U2 G4

## Dimensions



## Features

- 75% energy savings
- Superior heat sinking with die cast aluminum housing and external fins
- 100,000-hour LED lifespan
- 5-Year, No-Compromise Warranty

## Ordering Matrix

Family	Cutoff	Wattage	Color Temp	Driver Options	Options
ALED		104	Y		
	<b>Blank</b> = Standard (15°) <b>C</b> = Cutoff (7.5°) <b>FC</b> = Full Cutoff (0°)	<b>52</b> = 52W <b>80</b> = 80W	<b>Y</b> = 3000K Warm <b>Blank</b> = 5000K Cool <b>N</b> = 4000K Neutral	<b>Blank</b> = 120-277V <b>/480</b> = 480V <b>/BL</b> = Bi-Level <b>/D10</b> = 0-10V Dimming	<b>Blank</b> = No Option <b>/PCS</b> = 120V Swivel Photocell <b>/PCS2</b> = 277V Swivel Photocell <b>/PCS4</b> = 480V Swivel Photocell <b>/PCT</b> = 120-277V Twistlock Photocell <b>/PCT4</b> = 480V Twistlock Photocell <b>/LC</b> = Lightcloud® Controller