



12W LED equivalent to 75W BR30/halogen/wide flood. Available in black, white, bronze and verde green.

Color: Bronze

Weight: 1.7 lbs

Project:

Type:

Prepared By:

Date:

### Driver Info

Type	Constant Current
120V	0.10A
208V	N/A
240V	N/A
277V	N/A
Input Watts	11.3W

### LED Info

Watts	12W
Color Temp	5000K (Cool)
Color Accuracy	85 CRI
L70 Lifespan	100,000 Hours
Lumens	1,111 lm
Efficacy	98.3 lm/W

## Technical Specifications

### Compliance

#### UL Listed:

Suitable for wet locations. Suitable for mounting within 4 feet of the ground.

#### IESNA LM-79 & LM-80 Testing:

RAB LED luminaires and LED components have been tested by an independent laboratory in accordance with IESNA LM-79 and LM-80.

#### Trade Agreements Act Compliant:

This product is a product of Cambodia and a "designated country" end product that complies with the Trade Agreements Act

### Other

#### Note:

All values are typical (tolerance +/- 10%)

#### Warranty:

RAB warrants that our LED products will be free from defects in materials and workmanship for a period of five (5) years from the date of delivery to the end user, including coverage of light output, color stability, driver performance and fixture finish. RAB's warranty is subject to all terms and conditions found at [rablighting.com/warranty](http://rablighting.com/warranty).

### Buy American Act Compliance:

RAB values USA manufacturing! Upon request, RAB may be able to manufacture this product to be compliant with the Buy American Act (BAA). Please contact customer service to request a quote for the product to be made BAA compliant.

### LED Characteristics

#### LEDs:

Multi-chip, high-output, long-life LEDs

#### Color Stability:

LED color temperature is warranted to shift no more than 200K in color temperature over a 5-year period

#### Color Uniformity:

RAB's range of Correlated Color Temperature follows the guidelines of the American National Standard for Specifications for the Chromaticity of Solid State Lighting (SSL) Products, ANSI C78.377-2017.

### Performance

#### Lifespan:

100,000-Hour LED lifespan based on IES LM-80 results and TM-21 calculations

#### Wattage Equivalency:

75W PAR30

### Construction

#### Thermal Management:

Superior heat sinking with external Air-Flow fins

#### Housing:

Die-cast aluminum housing, lens frame and mounting plate

#### Reflector:

Semi-specular, vacuum-metalized polycarbonate

#### Lens:

Microprismatic diffusion lens for smooth and even light distribution

#### Mounting:

Heavy-duty mounting arm with "O" ring seal and stainless steel screws

#### Gaskets:

High-temperature silicone gaskets

#### Finish:

Our environmentally friendly polyester powder coatings are formulated for high-durability and long-lasting color

#### Green Technology:

Mercury and UV free. RoHS-compliant components.

## Technical Specifications (continued)

### Optical

#### NEMA Type:

NEMA Beam Spread of 6H x 6V

### Electrical

#### Driver:

Innovative integrated driver technology with 120V TRIAC and ELV dimming

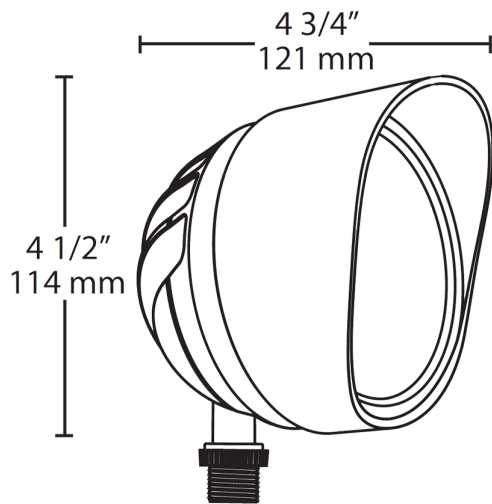
#### THD:

10.9% at 120V

#### Power Factor:

99.1% at 120V

## Dimensions



## Features

12W LED equivalent to 75W BR30/halogen/wide flood

Mount as an uplight or downlight on a RAB Mighty Post or junction box

Microprismatic diffusion lens for smooth and even light distribution

100,000-hour LED Lifespan

## Ordering Matrix

Family	Wattage	Color Temp	Finish	Other Options
BULLET	12		A	
	12 = 12W	Blank = 5000K Cool N = 4000K Neutral Y = 3000K Warm	A = Bronze B = Black VG = Verde Green W = White	Blank = Standard