

Project:	Type:
Prepared By:	Date:

Driver Info		LED Info	
Type	Constant Current	Watts	9W
120V	N/A	Color Temp	Field Adjustable
208V	N/A	Color Accuracy	90 CRI
240V	N/A	L70 Lifespan	50,000 Hours
277V	N/A	Lumens	679 lm
Input Watts	9W	Efficacy	66.66666667

Technical Specifications

Performance

Product Type:
Recessed Direct Mount

Lumens (Nominal):
600lm

Efficacy:
66.7lm/W

Lifespan:
50,000-Hour LED lifespan based on IES LM-80 results and TM-21 calculations

Wattage Equivalency:
Equivalent to 60W Incandescent

LED Characteristics

LEDs:
Back-lit LED array provides a uniform source with high efficiency and no pixilation

Color Accuracy (CRI):
90 CRI

Color Temperature:
Field Adjustable dip switch
2700K/3000K/3500K/4000K/5000K

Electrical

THD:
<25%

Power Factor:
≥0.9

Dimmable:
TRIAC and ELV (at 120V only).

Input Voltage:
120V

Operating Frequency:
60Hz

Operating Temperature:
-30°C - 40°C

Other

Warranty:
RAB warrants that our LED products will be free from defects in materials and workmanship for a period of five (5) years from the date of delivery to the end user, including coverage of light output, color stability, driver performance and fixture finish. RAB's warranty is subject to all terms and conditions found at rablighting.com/warranty.

Buy American Act Compliance:

RAB values USA manufacturing! Upon request, RAB may be able to manufacture this product to be compliant with the Buy American Act (BAA). Please contact customer service to request a quote for the product to be made BAA compliant.

Construction

Size:
4"

Shape:
Round

Finish:
White

Trim Style:
Smooth Trim

Lens:
Regressed lens
Impact-resistant polycarbonate
Convex form and lamp-like appearance
Diffuse for even illumination

Air Tight:
Housing certified Air Tight as per ASTM E283

Technical Specifications (continued)

Compliance

Listings:

UL Listed

Environment:

Wet

IC Rated:

Suitable for direct contact with insulation

Energy Star Approved:

ENERGY STAR® Version 2.2 Certified

Energy Star ID:

2369050

T24 JA8 Compliant:

Complies with Title 24 Appendix JA8

RoHS:

Mercury and UV free. RoHS-compliant components.

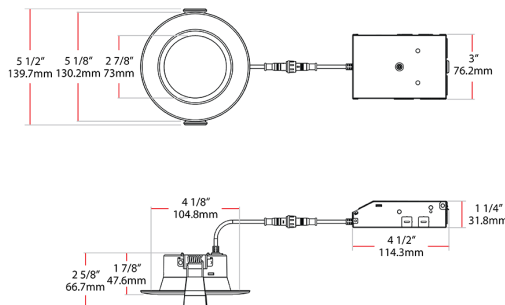
FCC:

Complies with Part 15B of the FCC Rules

Model Number for Certification:

DLW0057(WFRD4R99FA120WS)

Dimensions



Features

- 5 color temperatures in 1 SKU (2700K, 3000K, 3500K, 4000K, 5000K)
- Back-lit deep regress remote driver downlight
- No recessed housing or j-box required
- Dimmable down to 5% on compatible dimmers, see Dimmer Compatibility List
- IC and airtight rated
- Suitable for indoor and outdoor use in dry, damp, and wet environments

Ordering Matrix

Family	Size	Shape	Wattage	CRI/Color Temp	Voltage	Finish	Trim
WFRD	4	R	9	9FA	120	W	S

4 = 4"
6 = 6"

R = Round

9 = 9W
13 = 13W

9FA = 90 CRI, CCT Adjustable

120 = 120V

W = White

S = Smooth

*RDLFA only available with baffle trim, 4~~â~~ only available in 8W, 6~~â~~ only available in 12.5W
WFRD only available with smooth trim, 4~~â~~ only available in 9W, 6~~â~~ only available in 13W*