

## DAL DECORATIVE ACCENT

PROJECT: \_\_\_\_\_

SCHEDULE: \_\_\_\_\_ DATE: \_\_\_\_\_

PREPARE BY: \_\_\_\_\_

NOTES: \_\_\_\_\_

### DESCRIPTION

naturaLED® Decorative Accent fixtures feature a soft white light, created by a diffused acrylic lens, and a nickel finished trim. This dimmable fixture has 50,000 hours average rated life, is available in a 12" and 24" size, and can be mounted horizontally or vertically. Our Decorative Accent fixture can be used in residential, commercial, hospitality, office buildings and many other applications, making it a perfect energy saving and low maintenance LED solution.



**Rated Life 50,000 Hours**  
**Warranty 5 Years**




### APPLICATIONS

Bathroom, Over Mirror, Accent, Residential, Hospitality

### FEATURES

- Energy Star
- Damp Location
- UL Listed
- ColorTemp: 3000K, 4000K
- Voltage: 120V
- Powerfactor >0.9
- Dimmable
- CRI: 80
- Operating temperature: - 4°F - 104°F
- Up to 80% energy savings
- Instant on
- UV coated frosted polycarbonate
- 5Year Warranty
- Optional for Purchase: Pull Chain and Toggle Switch (for 24" DAL only)

### ACCESSORIES

	Pull Chain
	Toggle Switch
	Emergency Driver

**SAMPLE NUMBER** LED-FXDAL23/12FR/830/NI

STYLE	FAMILY	SERIES	WATTAGE	LENGTH/ LENS	CRI/COLOR TEMP	COLOR
LED LED Lighting	FX Fixture	DAL Decorative Accent Light	23 23 Watt	12FR 12" Frosted	830 CRI 80 3000K	NI Nickel



ORDERING

Watts (W)	Ordering Code	Description	CCT (K)	Lumens (Lm)	Equiv. Wattage (W)	Size	Damp Location	Energy Star
23	7018	LED-FXDAL23/12FR/830/NI	3000K	1,610	150	12"	•	•
23	7019	LED-FXDAL23/12FR/840/NI	4000K	1,610	150	12"	•	•
23	7020	LED-FXDAL23/24FR/830/NI	3000K	2,000	200	24"	•	•
23	7021	LED-FXDAL23/24FR/840/NI	4000K	2,000	200	24"	•	•

ACCESSORIES (Ordered Separately)

**Pull Chain**  
P10077 SWCH-ZE109-NI  
(Pull String Switch)  
\*for item 7020 and 7021 only



**Switch**  
P10078 SWCH-ZE204A  
(Toggle Switch)  
\*for item 7020 and 7021 only



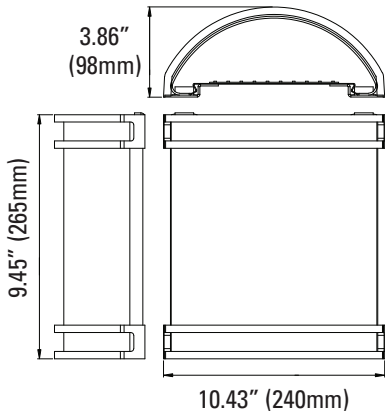
**Emergency Driver**



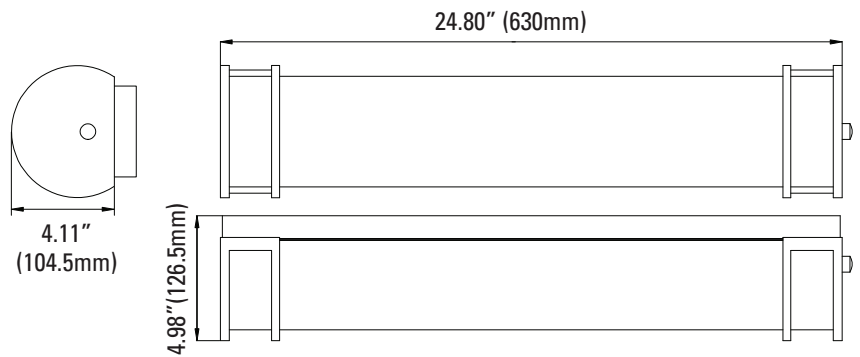
7337 BAEM25-170BC/347-C  
(25W Micro Inverter 120-347  
with 12" Conduit)

DIMENSIONS

**23W (12-inch)**  
2.49-lbs

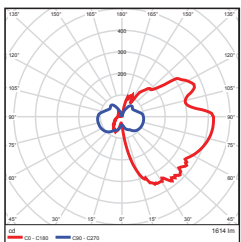


**23W (24-inch)**  
3.79-lbs



PHOTOMETRICS CHART

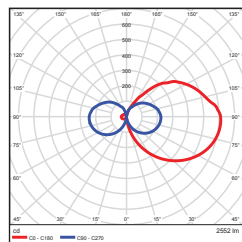
**23W (12-inch)**  
Energy Star



Center Beam fc	Beam Width
5.0ft	1.51 ft 16.5 ft 20.9 ft
10.0ft	0.39 ft 33.1 ft 41.8 ft
15.0ft	0.17 ft 49.6 ft 62.8 ft
20.0ft	0.09 ft 66.2 ft 83.7 ft
25.0ft	0.06 ft 82.7 ft 104.6 ft
30.0ft	0.04 ft 99.3 ft 125.5 ft

Vert. Spread: 117.7°  
Horiz. Spread: 128.9°

**23W (24-inch)**  
Energy Star



Center Beam fc	Beam Width
5.0ft	0.09 ft 11.8 ft 47.2 ft
10.0ft	0.02 ft 23.5 ft 94.4 ft
15.0ft	0.01 ft 35.3 ft 141.6 ft
20.0ft	0.01 ft 47.0 ft 188.9 ft
25.0ft	0.00 ft 58.8 ft 236.1 ft
30.0ft	0.00 ft 70.6 ft 283.3 ft

Vert. Spread: 99.0°  
Horiz. Spread: 156.1°

PACKAGE

Case Qty  
2 pcs

