



# ADS2FGSTRGBCW

## 2" Round Smart RGB & Tunable White Adjustable Gimbal LED



Project: \_\_\_\_\_

Location: \_\_\_\_\_

Model: \_\_\_\_\_ Qty: \_\_\_\_\_

Notes: \_\_\_\_\_

### DESCRIPTION

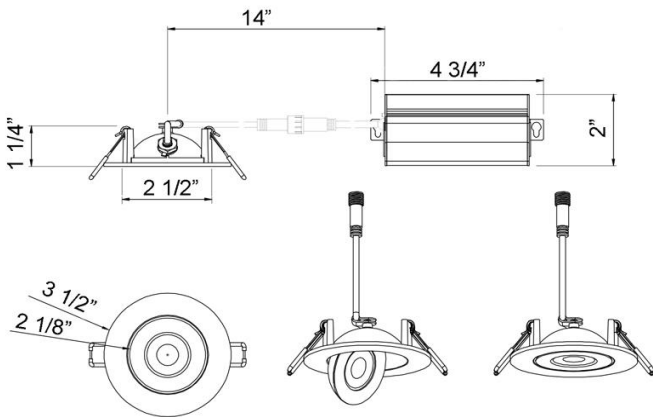
2" Round RGB + Tunable White Floating Gimbal  
 Full Color Spectrum from red 1,000K to blue 10,000K  
 WiFi + Blue Tooth Smart control via Smart Life app  
 Option for pulsating to the beat of the sound of phone or external speaker

### FEATURES & BENEFITS

- 1 1/4" Deep** - Fits in 3/4" ceiling space (with driver remotely mounted)
  - Type IC Rated** - No Housing Required
  - Driver Inside Connection Box** - No Junction Box Needed
  - White and Black** trims in stock
  - Damp Location & Airtight**
- Ideal for slopped ceilings, soffits, wall washing, highlighting artwork, task lighting

### INSTALLATION & SETUP INSTRUCTIONS

**DIMENSIONS** ID 2 1/2" OD 3 1/2" Depth 1 1/4" Cut Out 2 3/4" to 3"

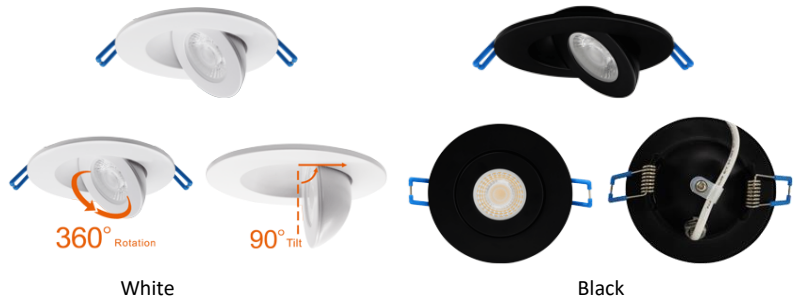


### ORDERING GUIDE

- ADS2FGSTRGBCW-WH [White Trim](#)
- ADS2FGSTRGBCW-BK [Black Trim](#)

SPECIFICATION	
Applications	Slopped ceilings, Wall washing, General lighting
Energy Used	5 W
Color Temperature (K)	2700   6000
Light Output (lm)	190   290
Halogen Equivalent	25 W
Beam Angle	38°
Adjusting	360° rotation with 90° tilt
CRI	80+ (for white colors)
Driver Input	120V AC 50/60 Hz
Dimming	via Smart Life app 5% - 100%
Connection Limit	maximum 200 fixtures
Junction Box Volume	6.53 in3 / 2 in 2 out 12AWG
Approved Location	Insulated Ceiling & Damp Locations
Air Tight	Yes
Ambient Temperature	-4°F (-20°C) to +104°F (+40°C)
Projected Life	70% Light Output at 50,000 Hours
Certification	cETLus
Warranty	3 Year

### Trim Options



### ACCESSORIES

Sold Separately



[Flanged Mounting Plate with bars model FRP212](#)



[Flat Mounting Plate model MP234](#)



[Flat Mounting Plate model RIP212](#)



[Jumper Cables 10 ft model # JC10](#)

### Lotus LED Lights USA

250 H Street # 301, Blaine WA 98230 tel 360-200-5500  
 Hainesport NJ, Naples FL, Vancouver WA

[www.LotusLEDLights.com](http://www.LotusLEDLights.com)

mailing addresses  
 warehouses

### Lotus LED Lights CANADA

1080 Cliveden Ave # 6, Delta BC V3M 6G6 tel 604-538-3090  
 Delta BC & Mississauga ON