

LED LOC-ELHB High Bay Light Family Series



80W / 100W / 150W



180W / 200W / 250W



300W



80W / 100W / 150W
3000K / 4000K / 5000K
(Available in Black or White)



8-foot cord (120-277V models only)

CONSTRUCTION:

Corrosive resistant polyester powder coat finish. PC3000U lens. Aluminum Alloy.

OPTICAL SYSTEM:

Philips Lumiled 3030 LED chips. 120° beam angle standard. 60° beam angle option for 300W model ONLY.

WARRANTY:

5-year limited warranty. Actual performance may differ as a result of end-user environment and application.

ELECTRICAL:

Available as 100-277V or 277-480V input.

Operating Temperature: -30°C to 50°C, -22°F to 122°F

INSTALLATION & MOUNTING:

Hook mount.

DIMMING:

0-10V dimming



U-Bracket
(For multi watt models)

FEATURES

- Multi Watt Models Only:
 - Default Wattage is the highest wattage
 - 150W
 - 250W
 - Default CCT: 5,000K
- IP66 rated
- SPD 6KV
- 8-foot cord (120-277V models only)
- Corrosion resistant
- Easy installation and maintenance
- 50,000 hours lifetime

SUITABLE APPLICATIONS

- Warehouse
- Manufacturing facilities
- Convention centers
- Sporting Arenas
- Big-box retail stores
- Cold storage facilities
- Gymnasiums

DLC Product ID:

- LOC-ELHB-MW(80/100/150)50KD-LV – PWWQCJ1K
- LOC-ELHB-MW(180/200/250)50KD-LV – P9VDHF8R
- LOC-ELHB-300W50KD-LV – PAGM6LRW
- LOC-ELHB-MW(80/100/150)MCCT(30/40/50)-LV – S-FTA2SO
- LOC-ELHB-MW(80/100/150)MCCT(30/40/50)-LV (white) – S-FTA2SO
- LOC-ELHB-MW(80/100/150)MCCT(30/40/50)-HV – S-NR28BO
- LOC-ELHB-MW(180/200/250)MCCT(30/40/50)-HV – S-8NMJUA



OPTIONAL ACCESSORIES:



Emergency Driver
LOC-HBEMDR-25WHV



PC Dome Bottom Cover
(For 250W and below Only)



PC Reflector
(For Multi Wattage Models Only)



60° lens
(For 300W model)



Microwave Sensor
LOC-ACY-S-MWS-01-G1
(Compatible with LOC-RC-WHITE-G1)



Microwave Bluetooth Sensor
LOC-ACY-S-MWS-BT-01-G1
(Compatible with App)



PIR Sensor
LOC-ACY-S-PIRS-01-G1
(Compatible with LOC-RC-WHITE-G1)



PIR Bluetooth Sensor
LOC-ACY-S-PIRS-BT-01-G1
(Compatible with App)



Remote Control
LOC-RC-WHITE-G1



Photocell (Daylight Sensor)
LOC-SK-101-4T
(Not compatible with remote control)



Motion Sensor
LOC-ANT-5-4T
(Compatible with LOD-RC-100)



Remote Control
LOD-RC-100

LOC-ELHB-MW(80/100/150)50KD-LV

WATTAGE SELECTABLE	CCT	LUMENS	EFFICACY	VOLTAGE	CRI	POWER FACTOR	THD	REPLACES
80W	5000K	12,000LM	150lm/W	100-277V	70	0.95	15%	175W – 600W HID
100W	5000K	15,000LM	150lm/W	100-277V	70	0.95	15%	175W – 600W HID
150W	5000K	22,500LM	150lm/W	100-277V	70	0.95	15%	175W – 600W HID

LOC-ELHB-MW(180/200/250)50KD-LV

WATTAGE SELECTABLE	CCT	LUMENS	EFFICACY	VOLTAGE	CRI	POWER FACTOR	THD	REPLACES
180W	5000K	27,000LM	150lm/W	100-277V	70	0.9	15%	600W – 1,000W HID
200W	5000K	30,000LM	150lm/W	100-277V	70	0.95	15%	600W – 1,000W HID
250W	5000K	37,500LM	150lm/W	100-277V	70	0.95	15%	600W – 1,000W HID

LOC-ELHB-300W50KD-LV

WATTAGE	CCT	LUMENS	EFFICACY	VOLTAGE	CRI	POWER FACTOR	THD	REPLACES
300W	5000K	45,000LM	150lm/W	100-277V	70	0.95	15%	600W – 1,000W HID

LOC-ELHB-MW(80/100/150)MCCT(30/40/50)-LV

WATTAGE SELECTABLE	CCT SELECTABLE	LUMENS	EFFICACY	VOLTAGE	CRI	POWER FACTOR	THD	REPLACES
80W	3000K / 4000K / 5000K	11,600LM	145lm/W	100-277V	70	0.95	15%	175W – 600W HID
100W	3000K / 4000K / 5000K	14,500LM	145lm/W	100-277V	70	0.95	15%	175W – 600W HID
150W	3000K / 4000K / 5000K	21,750LM	145lm/W	100-277V	70	0.95	15%	175W – 600W HID

LOC-ELHB-MW(80/100/150)MCCT(30/40/50)-LV (WHITE)

WATTAGE SELECTABLE	CCT SELECTABLE	LUMENS	EFFICACY	VOLTAGE	CRI	POWER FACTOR	THD	REPLACES
80W	3000K / 4000K / 5000K	11,600LM	145lm/W	100-277V	70	0.95	15%	175W – 600W HID
100W	3000K / 4000K / 5000K	14,500LM	145lm/W	100-277V	70	0.95	15%	175W – 600W HID
150W	3000K / 4000K / 5000K	21,750LM	145lm/W	100-277V	70	0.95	15%	175W – 600W HID

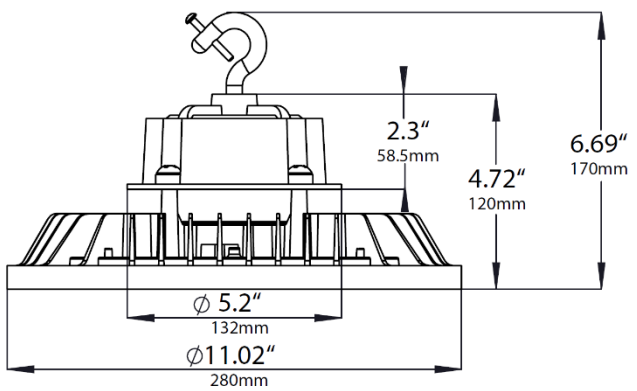
LOC-ELHB-MW(80/100/150)MCCT(30/40/50)-HV

WATTAGE SELECTABLE	CCT SELECTABLE	LUMENS	EFFICACY	VOLTAGE	CRI	POWER FACTOR	THD	REPLACES
80W	3000K / 4000K / 5000K	11,600LM	145lm/W	277-480V	70	0.95	15%	175W – 600W HID
100W	3000K / 4000K / 5000K	14,500LM	145lm/W	277-480V	70	0.95	15%	175W – 600W HID
150W	3000K / 4000K / 5000K	21,750LM	145lm/W	277-480V	70	0.95	15%	175W – 600W HID

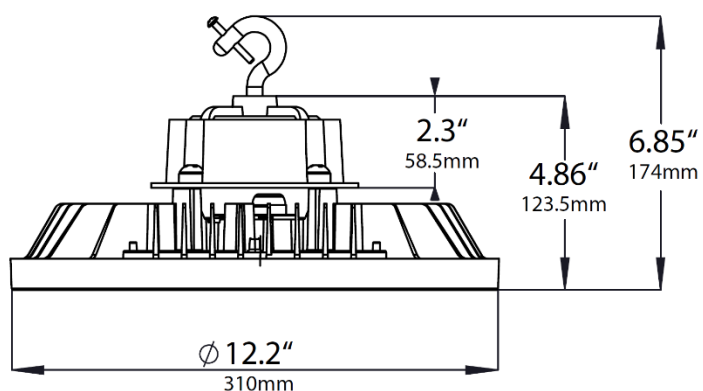
LOC-ELHB-MW(180/200/250)MCCT(30/40/50)-HV

WATTAGE SELECTABLE	CCT SELECTABLE	LUMENS	EFFICACY	VOLTAGE	CRI	POWER FACTOR	THD	REPLACES
180W	3000K / 4000K / 5000K	24,300LM	135lm/W	277-480V	70	0.9	15%	600W – 1,000W HID
200W	3000K / 4000K / 5000K	27,000LM	135lm/W	277-480V	70	0.95	15%	600W – 1,000W HID
250W	3000K / 4000K / 5000K	32,400LM	135lm/W	277-480V	70	0.95	15%	600W – 1,000W HID

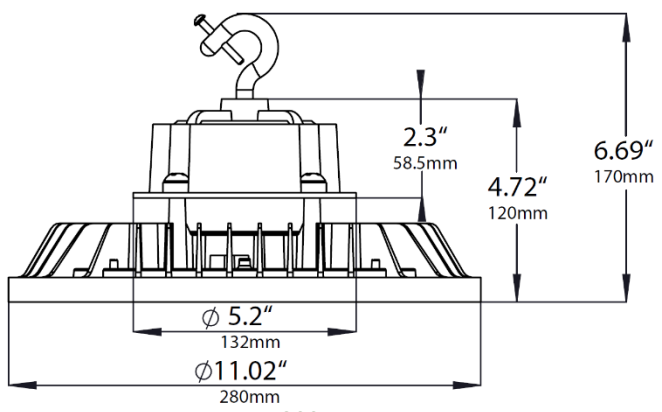
MEASUREMENTS



80W / 100W / 150W



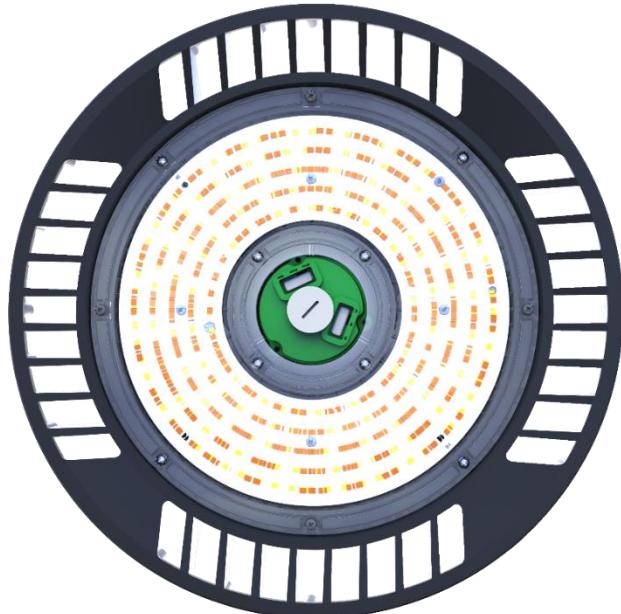
180W / 200W / 250W



300W

MODEL	QUANTITY	WEIGHT	UPC CODE
LOC-ELHB-MW(80/100/150)50KD-LV	1	6.16 lbs	00810050941433
LOC-ELHB-MW(180/200/250)50KD-LV	1	7.5 lbs	00810050941440
LOC-ELHB-300W50KD-LV	1	11.68 lbs	00810050941457
LOC-ELHB-MW(80/100/150)MCCT(30/40/50)-LV	1	6.16 lbs	00810050941716
LOC-ELHB-MW(80/100/150)MCCT(30/40/50)-LV (white)	1	6.16 lbs	00810050942874
LOC-ELHB-MW(80/100/150)MCCT(30/40/50)-HV	1	6.16 lbs	00810050943918
LOC-ELHB-MW(180/200/250)MCCT(30/40/50)-HV	1	7.5 lbs	00810050943925

Multi Wattage Multi CCT Model



MOUNTING GUIDE

80W / 100W / 150W

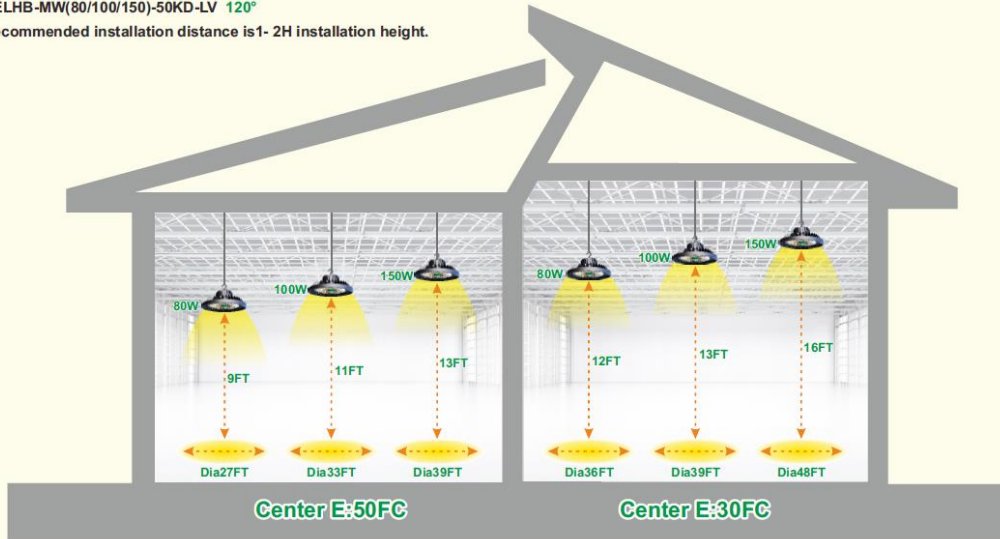
RECOMMEND INSTALLATION HEIGHT 8-20FT

LEDone®

Power	Equivalent	Height of Installation(FT)	Coverage(FT)	Center E(FC)
80W	150/250W HID	8-15	Dia24-45	20-70
100W	250W HID	9-17	Dia27-51	20-70
150W	400W HID	11-20	Dia33-60	20-70

LOC-ELHB-MW(80/100/150)-50KD-LV 120°

The recommended installation distance is 1- 2H installation height.



Roll over image to zoom in

180W / 200W / 250W

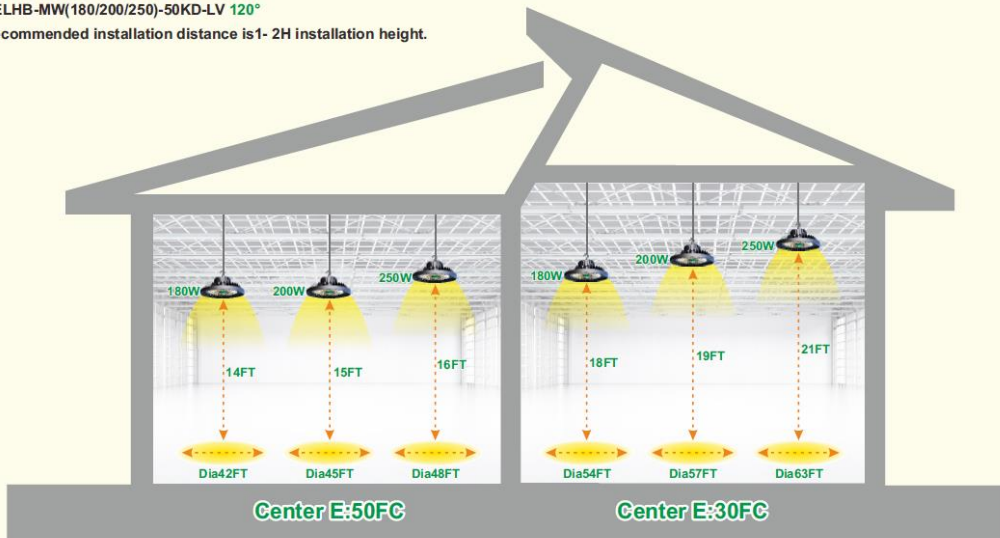
RECOMMEND INSTALLATION HEIGHT 12-25FT

LEDone®

Power	Equivalent	Height of Installation(FT)	Coverage(FT)	Center E(FC)
180W	400/600W HID	12-22	Dia36-66	20-70
200W	400/600W HID	12-23	Dia36-69	20-70
250W	600/1000W HID	14-25	Dia42-75	20-70

LOC-ELHB-MW(180/200/250)-50KD-LV 120°

The recommended installation distance is 1- 2H installation height.



Roll over image to zoom in