



20W / 25W / 40W / 60W



60W / 80W / 100W / 120W

MOUNTING OPTIONS:



Quick Mount Back Plate

LED LOC-WP Multi Watt Wall Pack Light Family Series

CONSTRUCTION:

Heavy die-cast aluminum alloy housing with bronze powder-coated finish. Glass lens.

OPTICAL SYSTEM:

Lumileds LUXEON 3030 2D LED chips. High quality tempered glass optics. 120° beam angle.

WARRANTY:

5-year limited warranty. Actual performance may differ as a result of end-user environment and application.

ELECTRICAL:

Available as 120-277V input. -40°C to 40°C, -40°F to 104°F

INSTALLATION & MOUNTING:

Wall Mounting with quick mount back plate for easy installation.

CONTROLS & DIMMING:

0-10V dimming comes standard. Photocell is included.

FEATURES

- Default Wattage:
 - 60W
 - 120W
- IP65 rated
- Easy installation and maintenance
- Corrosion and rust proof
- Photocell included
- Semi cut-off
- 50,000 hours lifetime

SUITABLE APPLICATIONS

- Warehouses
- Stadiums
- Factories
- Parking Lots
- Shopping Malls
- Supermarkets
- Logistic Centers
- Auto dealerships

DLC Product ID:

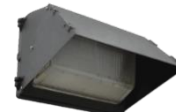
- LOC-WP-MW(20/25/40/60)50KDLV – P26JSZIL
- LOC-WP-MW(60/80/100/120)50KDLV – P30ZMFXW



OPTIONAL ACCESSORIES:



Emergency Battery
LOC-EMDR-15W-050
(For LOC-WP-MW(20/25/40/60)50KDLV ONLY)



Cut-off Shield



Wire Guard

WATTAGE	BUG RATING
20W/25W/40W/60W	B3-U4-G3
60W/80W/100W/120W	B3-U5-G4

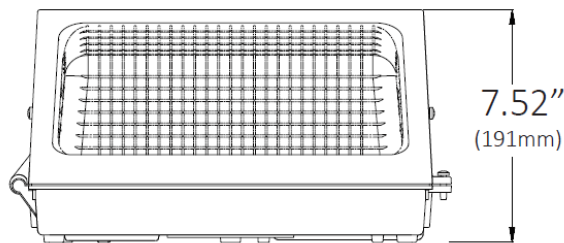
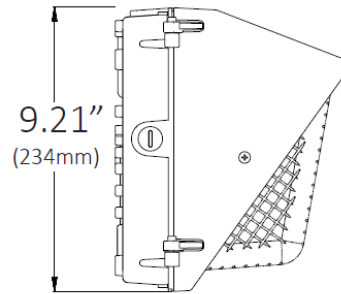
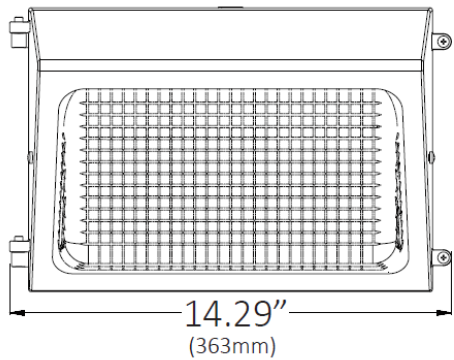
LOC-WP-MW(20/25/40/60)50KDVL

WATTAGE SELECTABLE	CCT	LUMENS	EFFICACY	VOLTAGE	CRI	POWER FACTOR	THD	REPLACES
20W	5000K	2,700LM	135lm/W	120-277V	70	0.9	20%	70W – 150W HID
25W	5000K	3,375LM	135lm/W	120-277V	70	0.9	20%	70W – 150W HID
40W	5000K	5,400LM	135lm/W	120-277V	70	0.9	20%	175W – 250W HID
60W	5000K	8,100LM	135lm/W	120-277V	70	0.9	20%	175W – 250W HID

LOC-WP-MW(60/80/100/120)50KDVL

WATTAGE SELECTABLE	CCT	LUMENS	EFFICACY	VOLTAGE	CRI	POWER FACTOR	THD	REPLACES
60W	5000K	8,286LM	138.1lm/W	120-277V	74	0.967	8%	175W – 250W HID
80W	5000K	11,048LM	138.1lm/W	120-277V	74	0.967	8%	175W – 250W HID
100W	5000K	13,810LM	138.1lm/W	120-277V	74	0.967	8%	320W – 400W HID
120W	5000K	16,572LM	138.1lm/W	120-277V	74	0.967	8%	320W – 400W HID

MEASUREMENTS



MODEL	QUANTITY	WEIGHT	UPC CODE
LOC-WP-MW(20/25/40/60)50KDVL	1	7.94lbs	00810050941044
LOC-WP-MW(60/80/100/120)50KDVL	1	9.26lbs	00810050941006