

Toggled iQ® Downlight Retrofit Kit

Downlight retrofit kit, available in two sizes (6" and 8"), are designed to upgrade existing CFL downlights to a more energy-efficient smart lighting solution.

Features

- **Appearance**
Clear anodized aluminum finish matches the look-and-feel of existing fixtures. This, combined with glare-reducing, deeply recessed LEDs allows for a seamless no-compromise retrofit.
- **Dimming**
Control the brightness of each downlight individually from the Toggled iQ app or groups of downlights with the Toggled iQ switch.
- **White Color Tuning**
Adjust the color temperature continuously from 2700K to 5000K from the Toggled iQ app.
- **Retrofit Compatibility**
Compatible retrofit for most 6"/8" commercial CFL downlight fixtures. Rated for Non-IC and IC as well as damp and dry applications.
- **Life Rating**
Engineered for a rated life of 50,000 hours in IC fixtures.
- **Compliance**
 - UL Classified UL1598C LED Retrofit Kit
 - Contains FCC IC: 2ARCM-6201852
 - Contains IC: 24359-6201852
 - Tested and compliant to FCC 47CFR Part 15



TD08-W121CCB (8") shown in photo.

System Capabilities

- **Occupancy/Vacancy**
Enable occupancy/vacancy operation by adding one or more Toggled iQ Sensors to your installation.
- **Daylight Harvesting**
Enable daylight harvesting by adding a Toggled iQ sensor to your installation. Downlights smoothly adjust to changes in natural light for an energy-saving, non-intrusive lighting experience.
- **Scenes**
Use the Toggled iQ app to customize scenes with color and brightness settings saved for individual or groups of downlights.
- **Scheduling**
Enable automated 7-day schedules by pairing with a Toggled iQ switch.

Ordering Information

Model No.	Description	Color
TD06-W121CCB	6" Downlight Retrofit Kit	Aluminum Finish
TD08-W121CCB	8" Downlight Retrofit Kit	Aluminum Finish



The Toggled iQ system is listed on the DesignLights Consortium-registered mark- (DLC) Qualified Products List (QPLs) and qualifies for most applicable utility rebates requiring Title 24 and ASHRAE compliance.

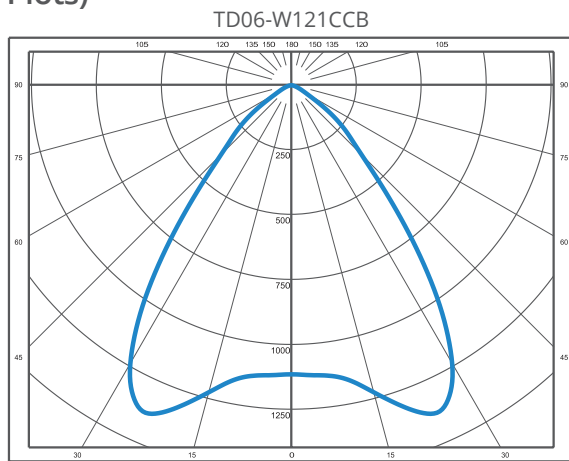
Specifications

Model	Size	Input	Power	PF	THD	Lumens	Efficacy	Color	CRI	Life	Standby
TD06-W121CCB	6"	120-277VAC	23.5W	≥0.9	≤20%	2000	85lm/W	2700-5000K	≥80	50,000hr	0.5W at 120VAC
TD08-W121CCB	8"	120-277VAC	23.5W	≥0.9	≤20%	2000	85lm/W	2700-5000K	≥80	50,000hr	0.5W at 120VAC

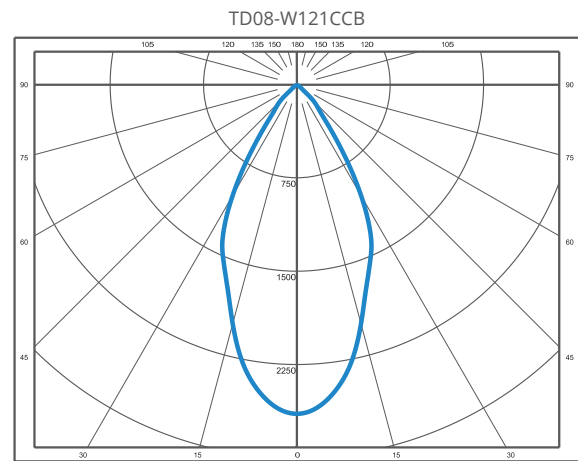
Downlight Temperature Rating: -25°C to 45°C Ambient

Driver Temperature Rating: -25°C to 45°C Ambient; Maximum Driver Case (TMP_c): 85°C

Light Distribution (Polar Plots)



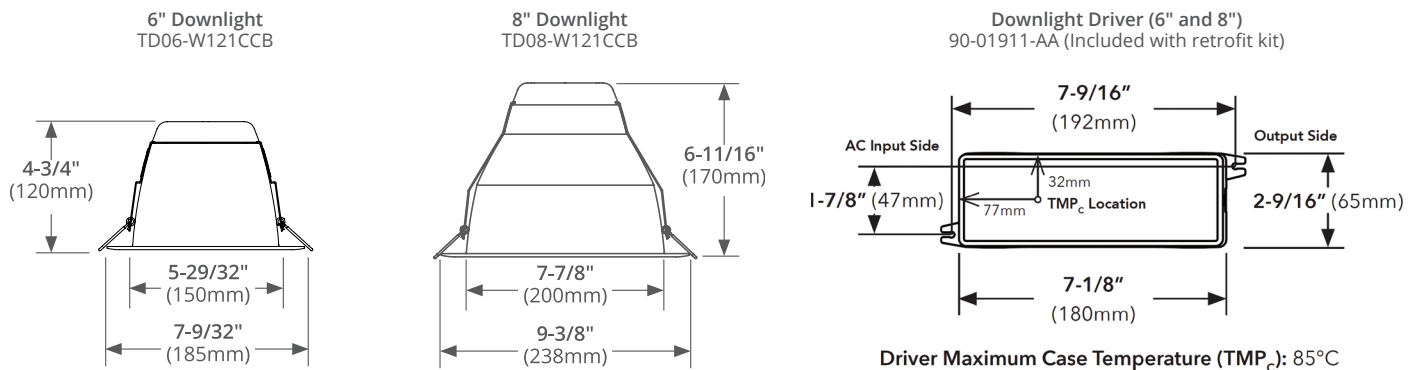
Beam Angle: 83 Degrees
Field Angle: 116 Degrees



Beam Angle: 54 Degrees
Field Angle: 85 Degrees

Dimensions

Toggled iQ downlights (6" and 8") are designed to be compatible with common 6" and 8" commercial downlights (non-IC and IC rated).



Disclaimer: Toggled reserves the right to make changes to specific items and/or to discontinue any product at any time without notice or obligation and will not be liable for any consequences resulting from the use of this publication.