



DIRECT DRIVE DX2

SINGLE- OR DOUBLE-ENDED LINE VOLTAGE LED TUBES

KT-LED18.5T8-48G-850-DX2 /USA

T8 LED LAMP

DESCRIPTION

18.5W T8 LED | 5000K | >83 CRI | High efficiency | Single or double-ended wiring



LAMP TYPE: Linear
BULB TYPE: T8 LED
BASE TYPE: G13 (Medium Bi-Pin)
WATTAGE: 18.5W
COLOR TEMPERATURE: 5000K
COLOR RENDERING INDEX (CRI): >83
WARRANTY: 5 Years



PRODUCT FEATURES

- **Made in USA. BAA/TAA Compliant**
- Replacement for conventional fluorescent lamp
- Single or double-ended wiring
- 50,000+ hour lifetime
- Approximately 40% more energy efficient than standard F32T8 lamps
- Environmentally friendly: No mercury used
- Instant startup
- Frosted lens eliminates pixelation
- UL classified
- Operating temperature: -20°C/-4°F to 45°C/113°F
- Integral driver (isolated), Eliminates the need for external driver or ballast
- 110+ lumens per watt

OPERATING SPECIFICATIONS

ELECTRICAL CHARACTERISTICS

Input Voltage	Power Consumption	Power Factor	Input Current
120-277Vac	18.5W	>0.9	0.15A @ 120V 0.07A @ 277V

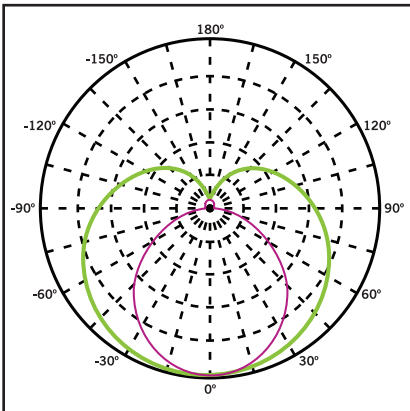
PHOTOMETRIC CHARACTERISTICS

Color Temperature (CCT)	5000K
Luminous Flux	2600 lm
Color Rendering Index (CRI)	>83
Efficacy	141 lm/W
Beam Angle	240°
Visible Light Area	325°

RATED LIFE

L70 (Hours)	50,000
-------------	--------

POLAR CANDELA DISTRIBUTION



1. **Violet** Vertical Plane through Horizontal Angles (90-270)
2. **Green** Vertical Plane through Horizontal Angles (0-180)

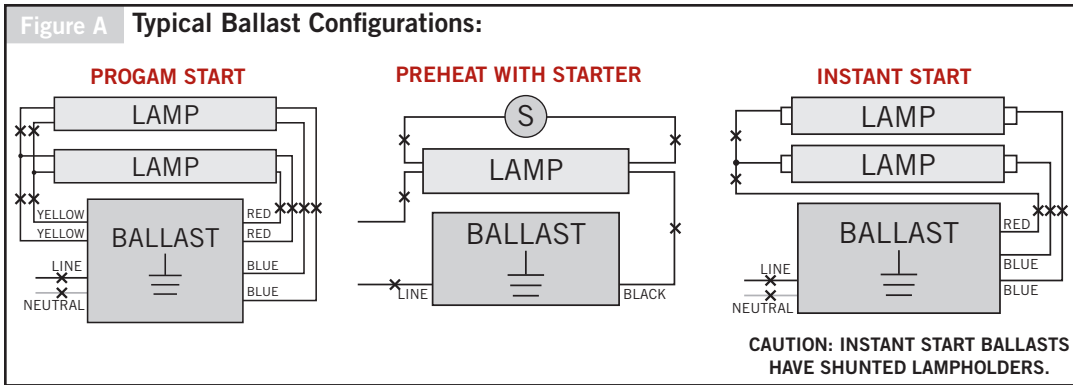


KT-LED18.5T8-48G-850-DX2 /USA

T8 LED LAMP

SINGLE-ENDED WIRING DIAGRAM

1. Cut all existing connections to ballast as shown below and remove ballast. See Figure A for typical ballast configurations. **Note: Single-ended wiring requires non-shunted lampholders.**



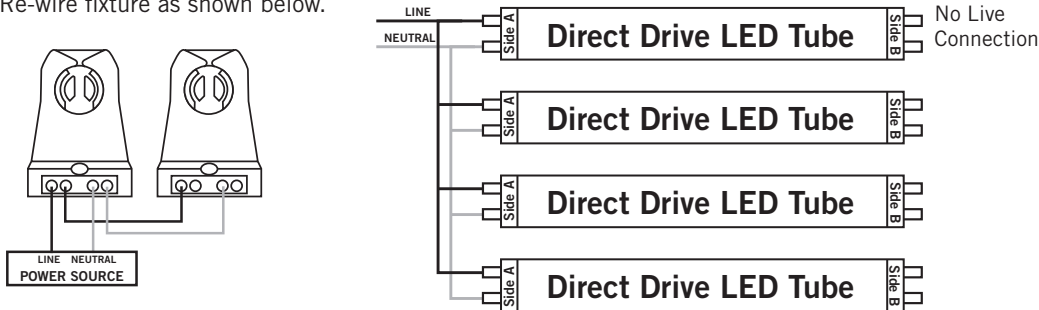
Typical Non-Shunted Lampholder

Connect wires directly to these terminals

CAUTION: For Single-ended wiring use only non-shunted lampholders.
 For Single-ended wiring, do not install product in a fixture with shunted lampholders (found in all fixtures using instant start ballasts). If the current lampholders are shunted, remove them and replace them with non-shunted lampholders. Make new connections directly to terminals as indicated above.

Keystone can provide any style replacement lampholders.
 Call us at 800-464-2680.

2. Re-wire fixture as shown below.

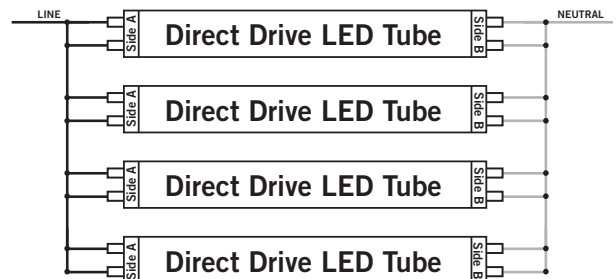
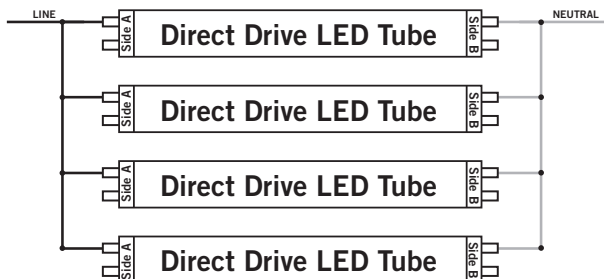


DOUBLE-ENDED WIRING DIAGRAM

1. Cut all existing connections to ballast as shown below and remove ballast. See Figure A above for typical ballast configurations.
 2. Re-wire fixture as shown below. For Double-ended wiring, use either shunted or nonshunted lampholders.
- Note: There should not be any exposed wires at the end of installation.**

Shunted Lampholders

Nonshunted Lampholders





DIRECT DRIVE DX2
SINGLE- OR DOUBLE-ENDED LINE VOLTAGE LED TUBES

KT-LED18.5T8-48G-850-DX2 /USA

T8 LED LAMP

PHYSICAL CHARACTERISTICS

LAMP DIMENSIONS

	A (Illuminated Length)	42.63"
	B (Body Length)	47.15"
	C (Diameter)	1.10"

NOMINAL LENGTH: 48" BASE TYPE: G13 (Medium Bi-Pin)

ORDERING INFORMATION

ORDER CODE	PACKAGING STYLE	PACK QTY.	ITEM STATUS
KT-LED18.5T8-48G-850-DX2 /USA-CP	Carton Pack (Egg Crate Packaging)	25	Quick Ship

CATALOG NUMBER BREAKDOWN

KT-LED10.5T8-48G-850-DX2 /USA-CP

1 2 3 4 5 6 7 8 9 10 11

- 1 Keystone Technologies
- 2 LED Lamp
- 3 Wattage
- 4 Lamp Type
- 5 Nominal Length (inches)
- 6 Glass
- 7 800 Series
- 8 Color Temp.
- 9 Single or Double-Ended Wiring
- 10 Made in the USA
- 11 Packaging Style