



KT-LED9T8-24G-840-DX2 /USA

T8 LED LAMP

DESCRIPTION

9W T8 LED | 4000K | >83 CRI | High-Efficiency | Single- or Double-ended Wiring



LAMP TYPE: Linear
BULB TYPE: T8 LED
BASE TYPE: G13 (Medium Bi-Pin)
WATTAGE: 9W
COLOR TEMPERATURE: 4000K
COLOR RENDERING INDEX (CRI): >83
WARRANTY: 5 Years



PRODUCT FEATURES

- Made in USA. BAA/TAA Compliant
- Replacement for conventional fluorescent lamp
- Single- or double-ended wiring
- Frosted lens eliminates pixelation
- 50,000+ hour lifetime
- Instant startup
- Environmentally friendly: No mercury used
- Approximately 40% more energy efficient than standard F32T8 lamps
- Integral driver (isolated) eliminates the need for external driver or ballast
- 110+ lumens per watt
- Operating Temperature: -20°C/-4°F to 45°C/113°F
- UL Classified

OPERATING SPECIFICATIONS

ELECTRICAL CHARACTERISTICS

Input Voltage	Power Consumption	Power Factor	Input Current
120-277Vac	9W	>0.9	0.075A @ 120V 0.032A @ 277V

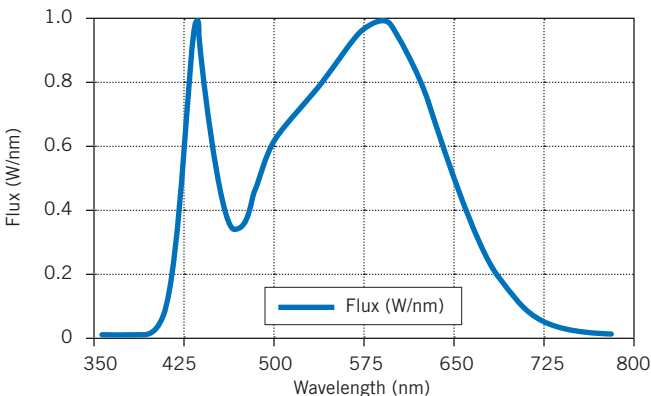
PHOTOMETRIC CHARACTERISTICS

Color Temperature (CCT)	4000K
Luminous Flux	1125 lm
Color Rendering Index (CRI)	>83
Efficacy	125 lm/W
Beam Angle	240°
Visible Light Area	325°

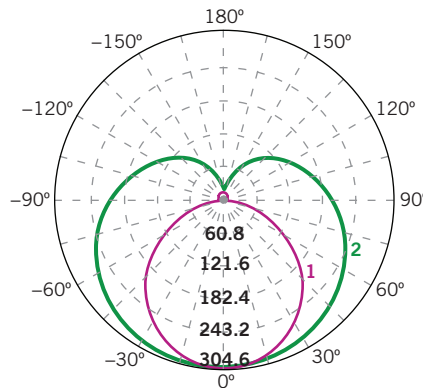
RATED LIFE

L70 (Hours)	50,000
-------------	--------

SPECTRAL DISTRIBUTION



POLAR CANDELA DISTRIBUTION



Maximum Candela = 1248.55
 Located at
 Horizontal Angle = 0
 Vertical Angle = 0

1 Violet Vertical plane through horizontal angles (90-270)
 2 Green Vertical plane through horizontal angles (0-180)

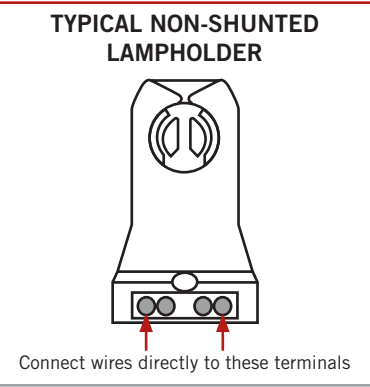
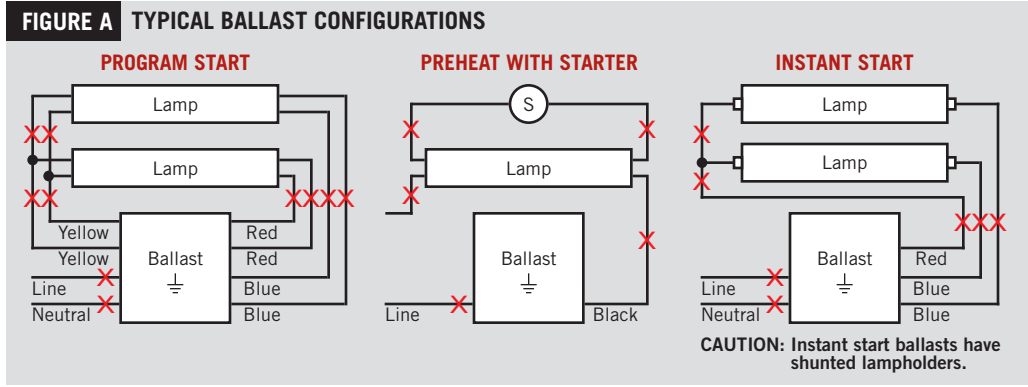


KT-LED9T8-24G-840-DX2 /USA

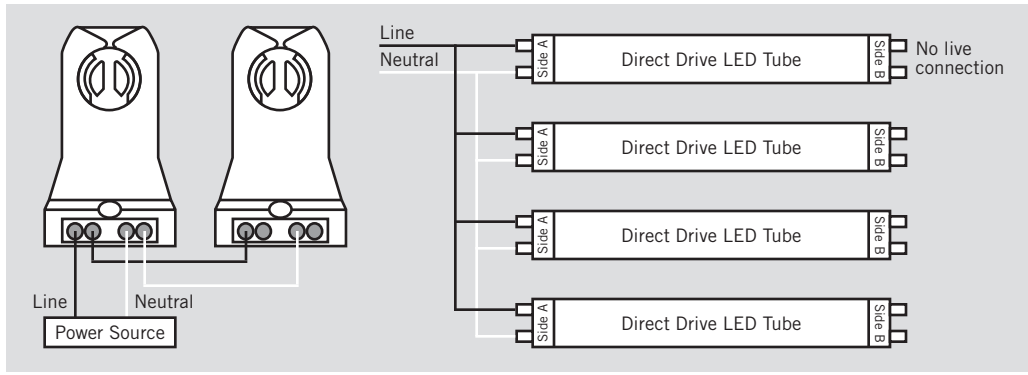
T8 LED LAMP

SINGLE-ENDED WIRING DIAGRAM

- Cut all existing connections to ballast as shown below and remove ballast. See *Figure A* for typical ballast configurations. **Note: Single-ended wiring requires non-shunted lampholders.**



- Rewire fixture as shown below.



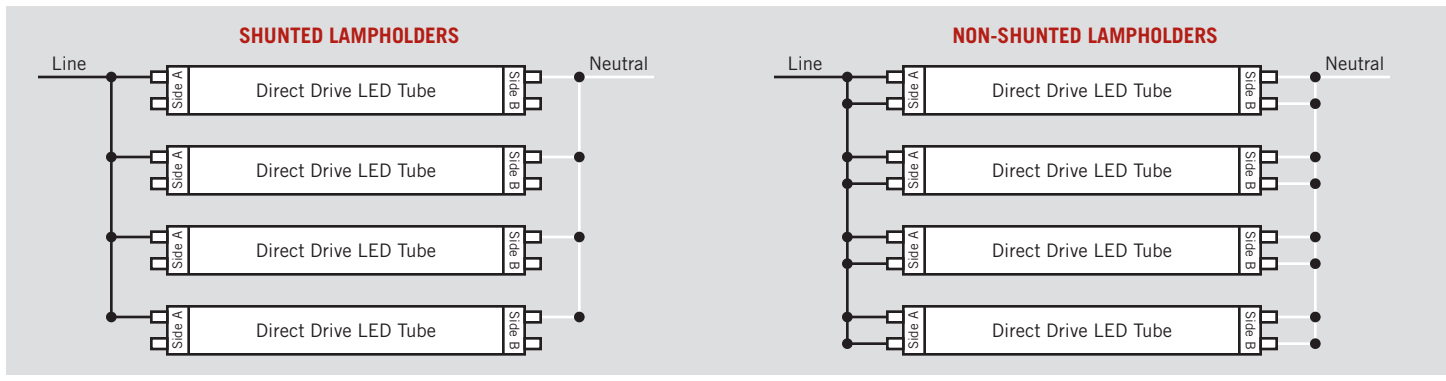
CAUTION: FOR SINGLE-ENDED WIRING USE ONLY NON-SHUNTED LAMPHOLDERS.

For Single-ended wiring, do not install product in a fixture with shunted lampholders (found in all fixtures using instant start ballasts). If the current lampholders are shunted, remove them and replace them with non-shunted lampholders. Make new connections directly to terminals as indicated above. Keystone can provide any style replacement lampholders. Call us at 800-464-2680.

DOUBLE-ENDED WIRING DIAGRAM

- Cut all existing connections to ballast as shown below and remove ballast. See *Figure A* above for typical ballast configurations.
- Re-wire fixture as shown below. For double-ended wiring, use either shunted or nonshunted lampholders.

NOTE: There should not be any exposed wires at the end of installation.

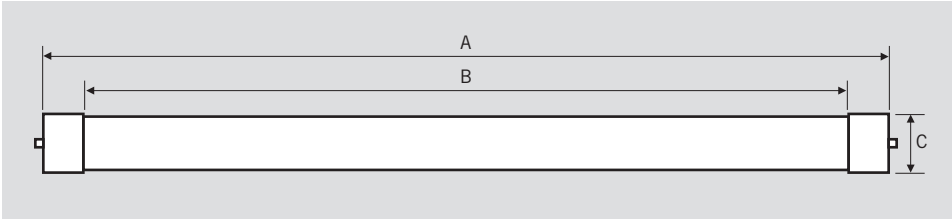




KT-LED9T8-24G-840-DX2 /USA

T8 LED LAMP

PHYSICAL CHARACTERISTICS



LAMP DIMENSIONS

A (Body Length)	23.22"
B (Illuminated Length)	20.30"
C (Diameter)	1.02"

NOMINAL LENGTH: 24"

BASE TYPE: G13 (Medium Bi-Pin)

ORDERING INFORMATION

ORDER CODE	PACK QTY.	EASY CODE	UPC
KT-LED9T8-24G-840-DX2 /USA	25	YFI-36	843654129358

CATALOG NUMBER BREAKDOWN

KT-LED9T8-24G-840-DX2 /USA

- 1**
- 2**
- 3**
- 4**
- 5**
- 6**
- 7**
- 8**
- 9**
- 10**

- 1** Keystone Technologies
- 2** LED Lamp
- 3** Wattage
- 4** Lamp Type
- 5** Nominal Length (Inches)
- 6** Glass Construction
- 7** 800 Series
- 8** Color Temperature
- 9** Single- or Double-Ended Wiring
- 10** Made in the USA