

# CCT/WATT ADJUSTABLE, BACKLIT LED FLAT PANEL

Dual Selectable Panels are commercial luminaires utilizing advanced driver technology to provide an all in one luminaire, providing 3 wattages and 3 CCT options in each size of panel.

Our state-of-the-art backlit LED technology utilizes PMMA lensing over the LEDs which will not discolor over time. They achieve high uniformity, premium energy efficiency and reduced glare in typical T-bar grid ceiling applications. Combined with the rigid back enclosure that prevents warping in application, this luminaire is designed for worry-free longevity and reliability. Available with factory installed battery backup for 90 minutes emergency egress illumination.

## Construction

- Aluminum frame in white finish (RAL: 9001)
- Back cover housing: Zinc-coated Iron or White Paint

## Optical

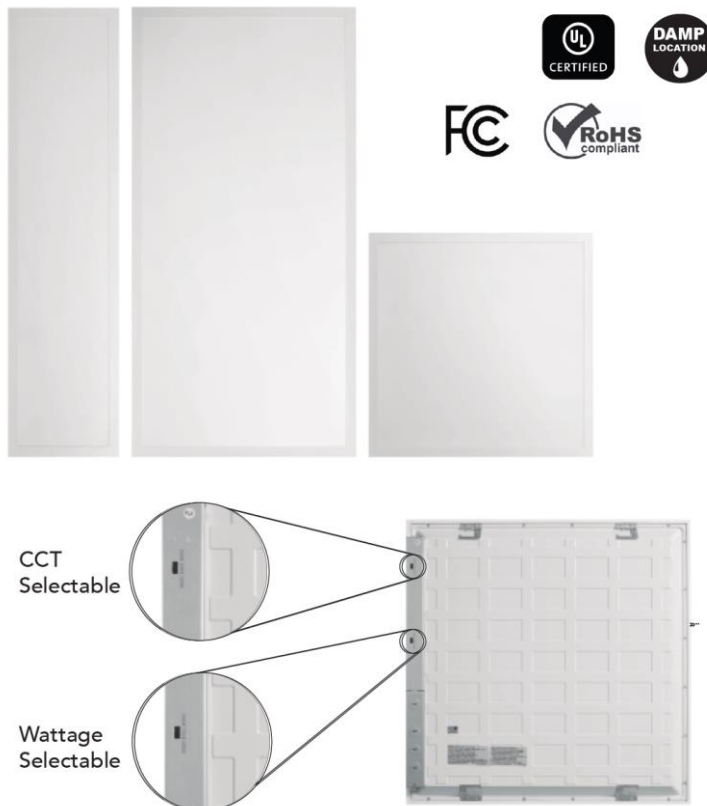
- PMMA lenses over LEDs, PS diffuser
- SDCM < 4
- 120° Beam angle

## Electrical

- Driver power factor > 0.9
- Driver THD < 20%
- Driver voltage 120-277V (50/60Hz), or 120-347V (50/60Hz)
- 0-10V dimming

## Certifications

- UL Listed for Damp Locations
- Type IC
- -20°C to 35°C (-4°F to 95°F)
- RoHS, FCC



## Installation

- Recessed in T-bar grid ceiling with integral earthquake clips for secure attachment
- Surface mount and suspension mount cable kit accessories available

## Warranty

5 Year



## Rapid Ship Ordering Information

Catalog No.	Description <sup>†</sup>	Weight	Qty/Carton	Qty/Pallet
<b>DPS-24-U-P</b>	2x4 LED Flat panel, 30/40/45 adj wattage, 3500/4000/5000K CCT adj, 3750/5000/5625 Lumens, 120-277V, 0-10VDC dimming	9.2 lbs	2	44
<b>DPS-24-U-P-E*</b>	2x4 LED Flat panel, 30/40/45 adj wattage, 3500/4000/5000K CCT adj, 3750/5000/5625 Lumens, 120-277V, 0-10VDC dimming, EMERGENCY BATTERY	16 lbs	1	22
<b>DPS-22-U-P-1</b>	2x2 LED Flat panel, 18/24/30 adj wattage, 3500/4000/5000K CCT adj, 2250/3000/3750 Lumens, 120-277V, 0-10VDC dimming	5.2 lbs	2	72
<b>DPS-22-U-P-1-E*</b>	2x2 LED Flat panel, 18/24/30 adj wattage, 3500/4000/5000K CCT adj, 2250/3000/3750 Lumens, 120-277V, 0-10VDC dimming, EMERGENCY BATTERY	11 lbs	1	36
<b>DPS-14-U-P-1</b>	1x4 LED Flat panel, 18/24/28 adj wattage, 3500/4000/5000K CCT adj, 2250/3000/3500 Lumens, 120-277V, 0-10VDC dimming	5.2 lbs	2	66
<b>DPS-14-U-P-1-E*</b>	1x4 LED Flat panel, 18/24/28 adj wattage, 3500/4000/5000K CCT adj, 2250/3000/3500 Lumens, 120-277V, 0-10VDC dimming, EMERGENCY BATTERY	11 lbs	1	32

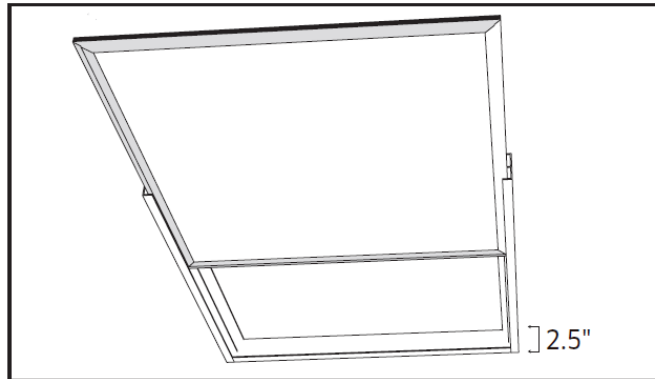
\*Note: Factory installed battery backup provides 90 minutes of illumination when AC power is removed. Models with battery backup are incompatible with surface mounting kit.

<sup>†</sup> Fixtures are pre-set to 4000K and highest wattage.

# CCT/WATT ADJUSTABLE, BACKLIT LED FLAT PANEL

## MOUNTING ACCESSORIES

### SURFACE MOUNT KITS



**DP-SMF-14-W** 1x4 Surface Mount Kit, White

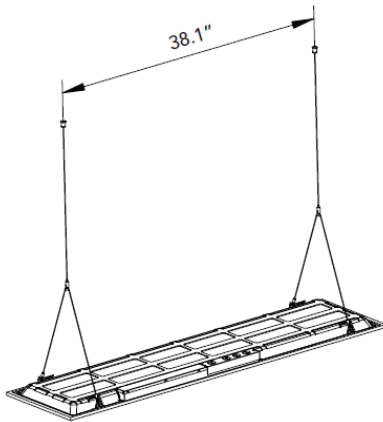
**DP-SMF-22-W** 2x2 Surface Mount Kit, White

**DP-SMF-24-W** 2x4 Surface Mount Kit, White

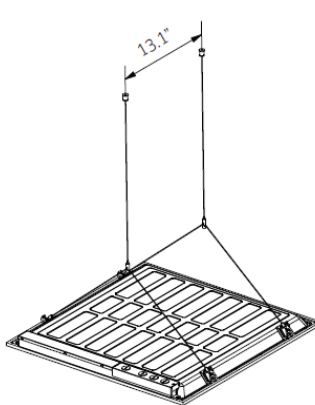
### SUSPENSION CABLE MOUNT KITS

(Max. Adjustment Range: 3.9 Feet; Min. Adjustment Range: 0.6 Feet)

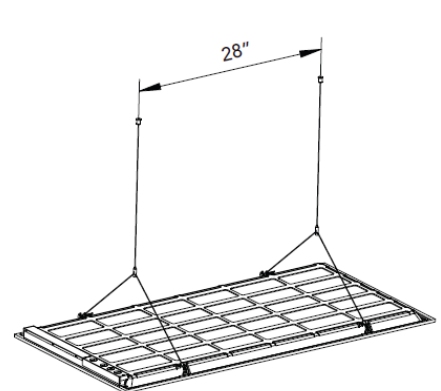
1X4 Kits



2X2 Kits

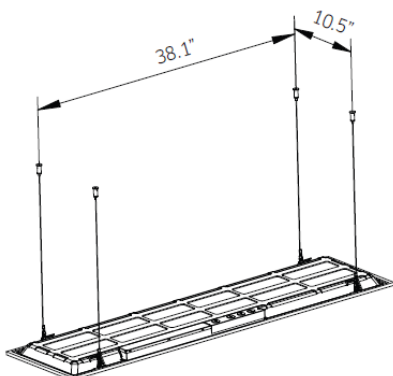


2X4 Kits

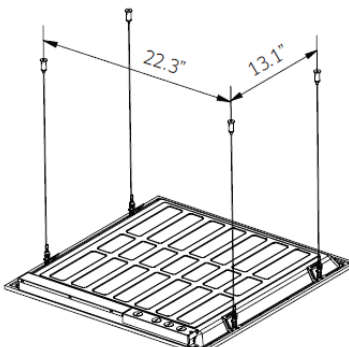


**DP-PKT-12-S** 2-Cable Kit

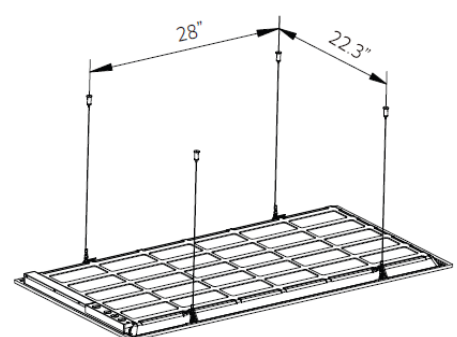
38.1" 10.5"



22.3" 13.1"



28" 22.3"



**DP-PKT-14-S** 4-Cable Kit