

PL Ballast Compatible - Horizontal / Vertical



PLC 9W (HORIZONTAL)

PLC 9W (VERTICAL)

PLT 16W (VERTICAL)

PLT 16W (HORIZONTAL)



PLL 13.5W

4-Pin LED PLC, PLT & PLL Replacements UL Type A



HORIZONTAL USE



VERTICAL USE



50K HOURS LIFESPAN



ENCLOSED FIXTURE RATED



DAMP RATED



120-277V



FCC LISTED



RoHS

PROJECT: _____

DATE: _____

TYPE: _____

PREPARED BY: _____



KEY FEATURES

- Replaces Legacy CFL Lamps.
 - 9W replaces 18W/26W PLC G24q
 - 16W replaces 42W PLT GX24q
 - 13.5W replaces 40W PLL 2G11
- Ballast Compatible, Directly Compatible with Most Existing Electronic CFL Ballasts
- Compatible with G24q/GX24q (4-pin CFL), and 2G11 sockets
- 50,000-hour lifespan
- Environmentally friendly, no mercury used
- UL Listed, DLC Listed
- Rated for use in enclosed and open fixtures in dry or damp locations
- Non-Dimmable
- 5-Years, No Compromise Warranty

PERFORMANCE

Catalog Number	Equivalency	Input Wattage	Lumen	Efficacy	Color Temperature	CRI	L70 Lifespan	DLC ID
PLC-9-H-827-DIR	18W/26W G24q CFL	9	1000	100	2700K	82	50,000	PBEJNCH3
PLC-9-H-830-DIR	18W/26W G24q CFL	9	1050	106	3000K	82	50,000	PLZL4JVYQPK8
PLC-9-H-835-DIR	18W/26W G24q CFL	9	1050	106	3500K	82	50,000	PL40CEFEFYJO
PLC-9-H-840-DIR	18W/26W G24q CFL	9	1100	111	4000K	82	50,000	PZWK24U
PLC-9-H-850-DIR	18W/26W G24q CFL	9	1100	111	5000K	82	50,000	P5UOQJIM
PLC-9-V-827-DIR	18W/26W G24q CFL	9	1000	100	2700K	82	50,000	PLJPL7JBU8JU
PLC-9-V-830-DIR	18W/26W G24q CFL	9	1050	106	3000K	82	50,000	PLZL4JVYQPK8
PLC-9-V-835-DIR	18W/26W G24q CFL	9	1050	106	3500K	82	50,000	PL40CEFEFYJO
PLC-9-V-840-DIR	18W/26W G24q CFL	9	1050	111	4000K	82	50,000	PLUMZOCT7NLW
PLC-9-V-850-DIR	18W/26W G24q CFL	9	1100	111	5000K	82	50,000	PLXB2K0AYNNI
PLT-16-H-830-DIR	42W G24q & Gx24q CFL	16	1750	110	3000K	82	50,000	PHDI83P2
PLT-16-H-835-DIR	42W G24q & Gx24q CFL	16	1750	110	3500K	82	50,000	P2XF5C28
PLT-16-H-840-DIR	42W G24q & Gx24q CFL	16	1850	115	4000K	82	50,000	PSJVH7RO
PLT-16-H-850-DIR	42W G24q & Gx24q CFL	16	1850	115	5000K	82	50,000	PHRMGPTT
PLT-16-V-830-DIR	42W G24q & Gx24q CFL	16	1750	110	3000K	82	50,000	P71KQ0T5
PLT-16-V-835-DIR	42W G24q & Gx24q CFL	16	1750	110	3500K	82	50,000	P8GIQ8BS
PLT-16-V-840-DIR	42W G24q & Gx24q CFL	16	1850	115	4000K	82	50,000	PJY4HWK1
PLT-16-V-850-DIR	42W G24q & Gx24q CFL	16	1850	115	5000K	82	50,000	PEC7VHPI
PLL-13.5-830-DIR	FT40/2G11 CFL	13.5	2050	152	3000K	80	50,000	PL9Z1QHTOPK5
PLL-13.5-835-DIR	FT40/2G11 CFL	13.5	2050	152	3500K	80	50,000	PLXZ3JTXPKC9
PLL-13.5-840-DIR	FT40/2G11 CFL	13.5	2100	156	4000K	80	50,000	PLE45FB9KLCO
PLL-13.5-850-DIR	FT40/2G11 CFL	13.5	2100	156	5000K	80	50,000	PL7B7KDI9OE3

TECHNICAL SPECIFICATIONS

CONSTRUCTION

Product Type	Endcap Finish	Lens Finish	
Compact	White	Frosted	

Bulb Shape	Base Type	Beam Angle	Enclosure Material
PLC-H	4-Pin G24q	120°	Plastic Endcap with Glass Lens
PLC-V	4-Pin G24q	120°	Plastic Endcap with Glass Lens
PLT-H	4-Pin GX24q	16W = 111°	Pastic Endcap with PC Lens and Aluminum Heatsink
PLT-V	4-Pin GX24q	16W = 100°	Pastic Endcap with PC Lens and Aluminum Heatsink
PLL	2G11	120°	Plastic Endcap with Glass lens

*Universal G24q and GX24q 4-pin base works with G24q-1, G24q-2, G24q-3, GX24q-1, GX24q-2 and GX24q-3

COMPLIANCE

Safety Listing

UL Listed

Environment/Fixture Rating

Damp / Enclosed

DLC

This product is on the Design Lights Consortium (DLC) Qualified Products List and is eligible for rebates from DLC Member Utilities

FCC

Complies with Part 15 of the FCC Rules.

NSF Listing

NSF/ANSI Standard 2 - Food Equipment (non-contact), Splash Zone, and Non-Food Zone. (Not for Direct Food Zone without additional fixture considerations).

RoHS

Mercury and UV free. RoHS-compliant components.

ELECTRICAL

THD

≤20%

Power Factor

>0.9

Input Voltage

120-277V

Operating Frequency

50/60Hz

Operating Temperature

-20°C to 45°C

Note

All values are typical (tolerance +/- 10%)

OTHER

Warranty

RAB warrants that our LED products will be free from defects in materials and workmanship for a period of five (5) years from the date of delivery to the end user, including coverage of light output, color stability, driver performance and fixture finish.

RAB's warranty is subject to all terms and conditions found at rablighting.com/warranty.

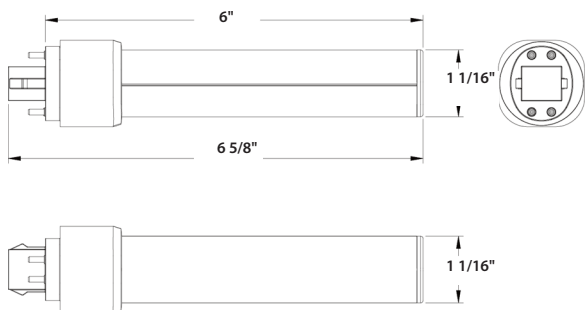
INSTALLATION METHOD

UL Type A, Plug and Play

DIMENSIONS

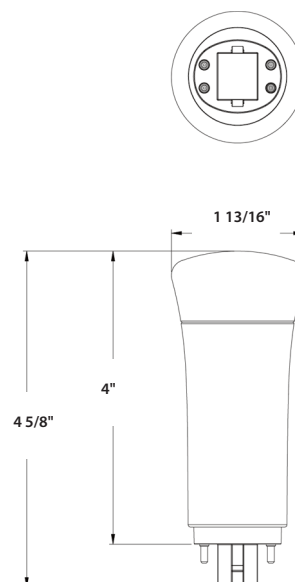
PLC 9W (HORIZONTAL)

Weight: 0.3 lbs



PLC 9W (VERTICAL)

Weight: 0.3 lbs



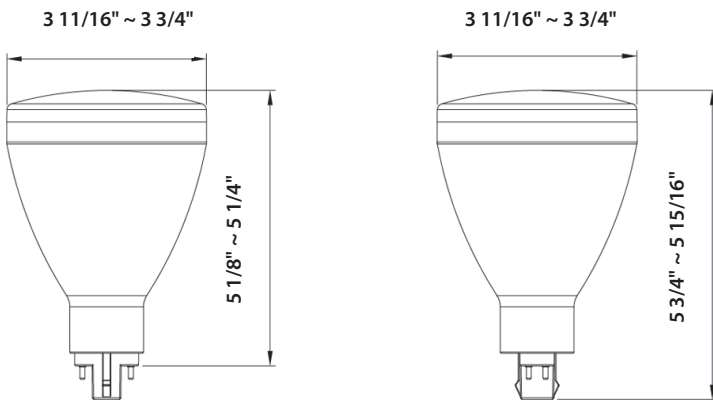
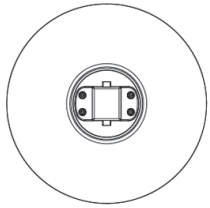
PL Ballast Compatible - Horizontal / Vertical



DIMENSIONS (Cont.)

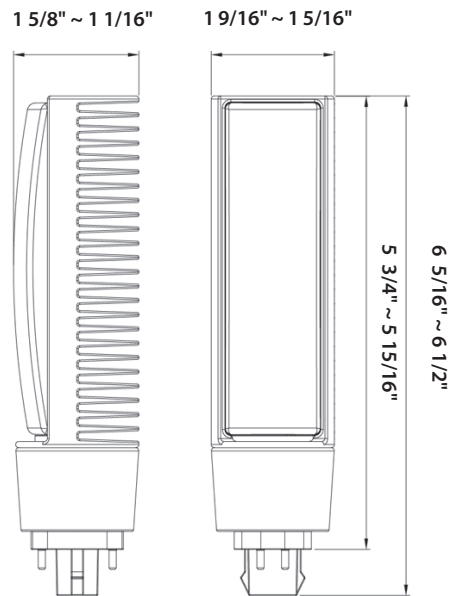
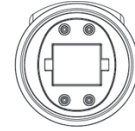
PLT 16W (VERTICAL)

Weight: 0.3 lbs



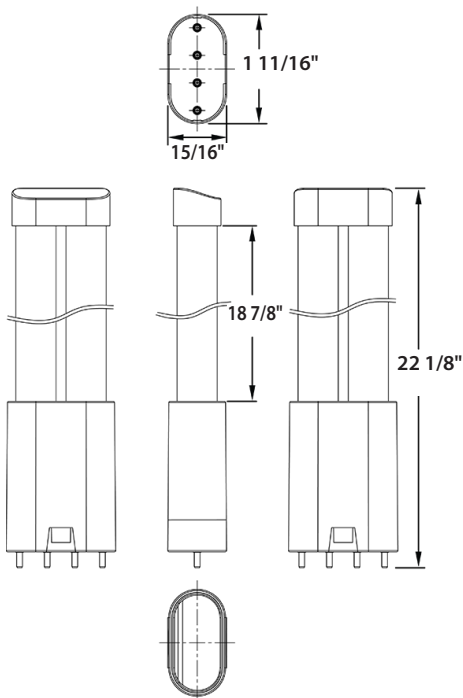
PLT 16W (HORIZONTAL)

Weight: 0.4 lbs



PLL 13.5W

Weight: 0.4 lbs



PL Ballast Compatible - Horizontal / Vertical



ORDERING INFO

Catalog Number	Model Number (DLC/Energy Star)	UPC	Case Pack
PLC-9-H-827-DIR	T10108	019813507446	12
PLC-9-H-830-DIR	PLC-9-H-830-DIR	019813751436	12
PLC-9-H-835-DIR	PLC-9-H-835-DIR	019813751443	12
PLC-9-H-840-DIR	PLC-9-H-840-DIR	019813751450	12
PLC-9-H-850-DIR	PLC-9-H-850-DIR	019813751467	12
PLC-9-V-827-DIR	T10109	019813507453	12
PLC-9-V-830-DIR	PLC-9-V-830-DIR	019813751474	12
PLC-9-V-835-DIR	PLC-9-V-835-DIR	019813751481	12
PLC-9-V-840-DIR	PLC-9-V-840-DIR	019813751498	12
PLC-9-V-850-DIR	PLC-9-V-850-DIR	019813751504	12
PLT-16-H-830-DIR	T10091	019813834481	20
PLT-16-H-835-DIR	T10092	019813834498	20
PLT-16-H-840-DIR	T10093	019813834504	20
PLT-16-H-850-DIR	T10094	019813834511	20
PLT-16-V-830-DIR	T10096	019813834542	20
PLT-16-V-835-DIR	T10097	019813824559	20
PLT-16-V-840-DIR	T10098	019813834566	20
PLT-16-V-850-DIR	T10099	019813834573	20
PLL-13.5-830-DIR	T10226(PLL-13.5-830-DIR)	019813918280	12
PLL-13.5-835-DIR	T10227(PLL-13.5-835-DIR)	019813924311	12
PLL-13.5-840-DIR	T10228(PLL-13.5-840-DIR)	019813924328	12
PLL-13.5-850-DIR	T10229(PLL-13.5-850-DIR)	019813924397	12

BALLAST PERFORMANCE TABLE

Catalog Number	Bare Lamp	System	Lumens					System Efficacy				
	Wattage	Wattage	2700K	3000K	3500K	4000K	5000K	2700K	3000K	3500K	4000K	5000K
PLC-9-H-8XX-DIR	9	11	900	950	950	1000	1000	75.0	79.2	79.2	83.3	83.3
PLC-9.5-V-8XX-DIR	9	11	900	950	950	1000	1000	75.0	79.2	79.2	83.3	83.3
PLT-16-H-8XX-DIR	16	18.5	1650	1750	1750	1850	1850	89.2	94.6	94.6	100.0	100.0
PLT-16-V-8XX-DIR	16	18.5	1650	1750	1750	1850	1850	82.5	87.5	87.5	92.5	92.5
PLL-13.5-8XX-DIR	13.5	16.5	-	2050	2050	2100	2100	-	124.2	124.2	127.3	127.3

ORDERING MATRIX

Family	Wattage	Mounting Orientation	CRI/Color Temp	Installation Type
PLC	- 9	-	-	DIR
PLC Plug-in Cluster	9 9W	H Horizontal V Vertical	850 82 CRI, 5000K 840 82 CRI, 4000K 835 82 CRI, 3500K 830 82 CRI, 3000K 827 82 CRI, 2700K	DIR Ballast Compatible

Family	Wattage	Mounting Orientation	CRI/Color Temp	Installation Type
PLT	- 16	-	-	DIR
PLT Plug-in Triple tube	16 16W	H Horizontal V Vertical	850 82 CRI, 5000K 840 82 CRI, 4000K 835 82 CRI, 3500K 830 82 CRI, 3000K	DIR Ballast Compatible

Family	Wattage	CRI/Color Temp	Installation Type
PLL	- 13.5	-	DIR
PLL Plug-in Lamps Long Version	13.5 13.5W	850 82 CRI, 5000K 840 82 CRI, 4000K 835 82 CRI, 3500K 830 82 CRI, 3000K	DIR Ballast Compatible