

LED-DR 100W

12/24V DC CONSTANT VOLTAGE DRIVER

The LED-DR Series features universal 100-240V AC power input with high reliability. Standard built-in protections include short circuit, over-current, over-voltage, and over temperature. Used commonly with Trulux receivers and controls for secondary side dimming, they can also be used in non-dimming applications (minimum loads apply).

- 100W constant voltage driver
- Non-dimming; secondary side dimming only
- Built in short circuit, over-current, over-voltage, and over temperature protection
- Universal AC input (full range) with built-in constant current limiting circuit
- IP67 fully isolated plastic case
- cURus Recognized (dry and damp locations)
- RoHs Compliant



LED-DR 100W DRIVER QUICK SPECS

SERIES	LED-DR 100W
INPUT VOLTAGE	100-240V AC, 50/60Hz
OUTPUT VOLTAGE	12V DC / 24V DC
RATED CURRENT	8.5A / 4.2A
MIN LOAD	20W (non-dimming); 1W (secondary side dimming)
MAX LOAD	100W* (non-dimming); 97W (secondary side dimming)
INPUT WIRE	11" 18AWG
OUTPUT WIRE	11" 14AWG
POWER FACTOR	≥ 0.95/115VAC / ≥ 0.9/230VAC at full load
EFFICIENCY	> 85% (12V) / > 88% (24V)
DIMENSIONS	7-1/2"L x 2-1/16"W x 1-1/2"H
DIMMING	Secondary side dimming w/Trulux controls (sold separately)
OVERLOAD PROTECT	Hiccup mode, auto recover after fault condition removed
OVER VOLTAGE PROTECT	Shut down o/p voltage, re-power on to recover
OPERATING TEMP	-25°C (-13°F) to 70°C (158°F)
OPERATING HUMIDITY	20 ~ 90% RH non-condensing
RATING	cURus Recognized, RoHS Compliant, IP67

*Recommended: Do not load a driver more than 90% of max load.

PROJECT:

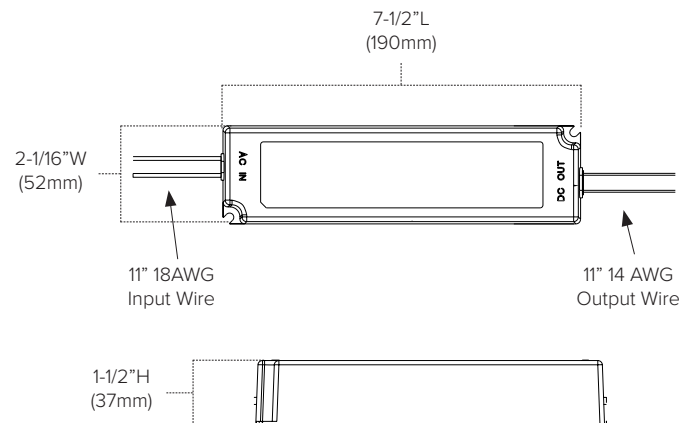
TYPE:

LOCATION:

CATALOG NUMBER:



LED-DR 100W DRIVER QUICK DIMENSIONS

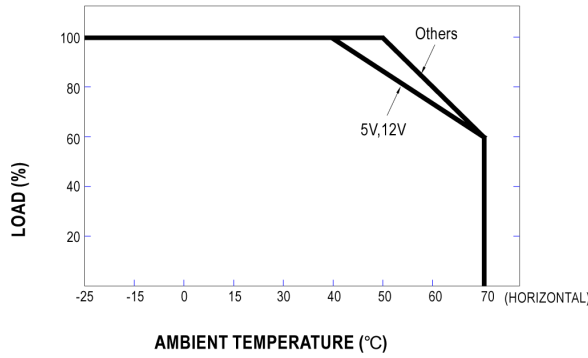


LED-DR 100W DRIVER ORDERING INFORMATION

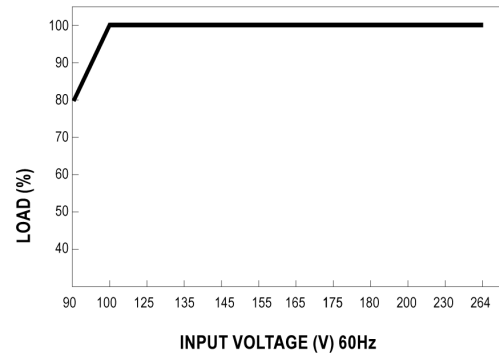
ITEM NUMBER	DESCRIPTION	INPUT VOLTAGE	OUTPUT VOLTAGE	MIN LOAD	MAX LOAD
LED-DR100-12	100W constant voltage Driver	100-240V DC	12V DC	20W (non-dimming)	100W (non-dimming)
LED-DR100-24	100W constant voltage Driver	100-240V DC	24V DC	20W (non-dimming)	100W (non-dimming)

LED-DR 100W DRIVER ADDITIONAL INFO

■ Derating Curve



■ Static Characteristics





AMERICAN LIGHTING WARRANTY

LIMITED WARRANTY FOR LED PRODUCTS: 2 YEARS

LIMITED PRODUCT WARRANTY

Our products are warranted to be free from defects in material and workmanship for the warranty period listed. Warranty periods begin from the date of shipment from American Lighting Inc's warehouse to the original purchaser. Products that prove to be defective during their specific warranty period will be either repaired or replaced, at the sole discretion of American Lighting Inc. Claims for defective products must be submitted in writing to American Lighting Inc's RGA Department within the warranty period. Upon approval of such return, American Lighting Inc reserves the right to inspect the product for misuse or abuse. Claims for indirect or consequential damages or for product that, in American Lighting Inc's opinion, has been misused will be denied. This is a warranty of product reliability only and not a warranty of merchantability or fitness for a particular purpose. American Lighting Inc shall have no liability whatsoever in any event for payment of incidental or consequential damages, including, without limitations, installation costs and/or damages for personal injury and/or property. These products may represent a possible shock or fire hazard if improperly installed or altered in any way. This warranty does not apply to any product that has not been properly installed in accordance with current local codes and/or the National Electrical Code. Products that require a transformer, driver, or power supply must be used in conjunction with American Lighting Inc's recommended power supply to ensure safety and retain product warranty.

PRODUCT SPECIFICATIONS

For the latest product information, updates, instructions and details concerning specifications, colors, finishes, performance, installation and design, visit www.americanlighting.com. Color may vary from the color printed herein due to limitations in photographic and printing processes. American Lighting Inc. reserves the right to change product specifications without notice. Other product specifications such as color temperature, wavelength characteristics and lumen output are subject to production limitations and may vary. LED technology is changing rapidly, and not all color temperatures and performance levels can be duplicated at a later time. Best practices include purchasing 10-15% more for a particular project on the same initial order where white LED color temperatures must be maintained over project and product life. Eventual product replacement should be considered at layout and design stages. Best practices also include testing connections and product performance prior to mounting and/or installing.

AVERAGE LIFE

Average incandescent lamp life, rated life and average life are terms used to describe the number of hours at which half of the lamps have failed. For LEDs, the hours of rated life specify the point where 70% of original lumen output is reached. Below this point, the effective life is over, however, the LED may still emit light. Individual results may vary with actual environmental conditions including, but not limited to, proper installation, ambient temperature and/or input voltage fluctuations.