

PROJECT: \_\_\_\_\_  
 CATALOG #: \_\_\_\_\_  
 FIXTURE TYPE: \_\_\_\_\_  
 NOTES: \_\_\_\_\_

## DP E26 Plug Base Downlight Series



Includes E26 socket adaptor

DP Round

The all-in-one design *DP E26 Plug Base Downlight Series* features enhanced colors, even light distribution, and glare reduction. This flicker-free downlight series meets the strictest requirements of California T24 JA8 and T20. For added convenience, the LED light engine is directly mounted to the trim for easy installation in existing recessed housings with the universal E26 base. This downlight offers a CCT Selectable switch with the range between 2700K to 5000K. The switch can be modified at any time during or after installation.

### COMPATIBLE HOUSINGS

The **DP 4R** and **6R** are compatible with most 4" and 6" IC recessed housings measuring at least 4" and 6" high, respectively.

### APPLICATIONS

Residential, Educational, and Retail applications, etc.

### REPLACEMENT

65W PAR, 100W PAR



### PERFORMANCE INFORMATION

SERIES NUMBER	WATT	LUMENS	SELECTABLE CCT	SIZE & SHAPE
DP 4R 8 G1 9FS	10W	750	2700K 3000K 3500K	4" Round
DP 6R 11 G1 9FS	14W	1100	4000K 5000K	6" Round

### ORDERING GUIDE

Luminaire Type	Trim Size and Shape	Generation	Voltage	CRI and Selectable CCT*	Flange Finish
<b>DP</b> E26 Plug Base Downlight Series	<b>4R</b> 4" Round <b>8</b> 750 (10W)	<b>G1</b>	<b>BLANK</b> =120V	<b>9FS</b> = 90 CRI Selectable CCT 27K/30K/35K/40K/50K	<b>BLANK</b> =White
	<b>6R</b> 6" Round <b>11</b> 1,100 (14W)				

Due to continuous product improvements, specification and/or equipment updates may change without notice.

## SPECIFICATIONS

### CONSTRUCTION

Aluminum housing with white baffle trim and flange. LEDs are directly mounted to the housing for superior thermal management and ensures long life.

### AMBIENT TEMPERATURE

Suitable for use in -20°C to 40°C (-4°F to 104°F).

### MOUNTING

Recessed mounting. Compatible with most 4" and 6" IC recessed housings.

### EFFICACY

Up to 79 lumens per watt (see individual wattage data).

### CCT AND CRI

Selectable CCT 27K/30K/35K/40K/50K; 90+CRI

### LENS

PC lens.

### LIFE

Rated for 50,000 hours at 70% lumen maintenance.

### WARRANTY

5-year limited warranty. Comprehensive warranty terms can be located on [www.slgus.com](http://www.slgus.com).

### ELECTRICAL

Standard Input Voltage 120V/60Hz with TRIAC dimming. E26 socket adaptor included.

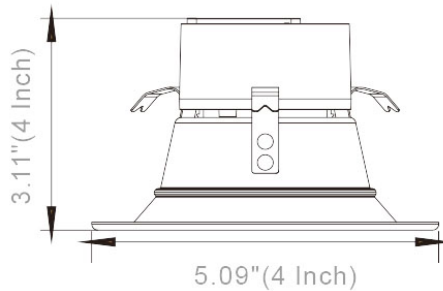
### FLANGE

White finish.

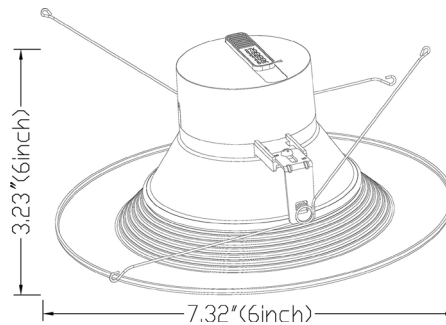
### CERTIFICATIONS

ENERGY STAR® Certified. ETL pending. Certified to the high efficacy requirements of California T24 JA8 and T20. Suitable for damp and wet locations (indoor covered ceilings).

## DIMENSIONS



DP 4R



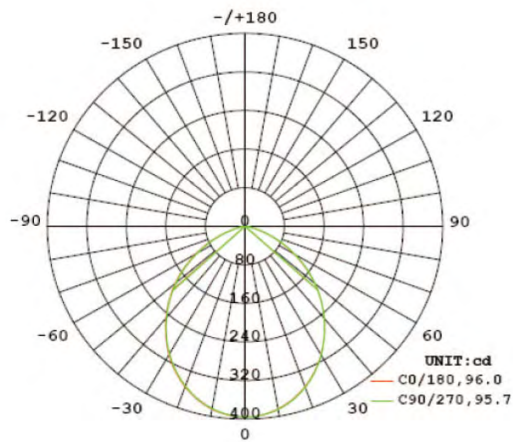
DP 6R

Due to continuous product improvements, specification and/or equipment updates may change without notice.

## PERFORMANCE DATA

SERIES NUMBER	WATT	LUMENS	EFFICACY	REPLACEMENT
DP 4R 8 G1 9FS	10W	750	75 lm/W	65W PAR
DP 6R 11 G1 9FS	14W	1,100	79 lm/W	100W PAR

## PHOTOMETRIC DATA



## DIMMER COMPATIBILITY LIST

NO.	DIMMER BRAND	MODEL NO.
1	Lutron	DVCL-153PR-WH
2	Lutron	CTCL-153PDH-WH
3	Lutron	TGCL-153PH-WH
4	Lutron	MACL-153MH-WH
5	Lutron	P-PKG1W-WH-R
6	Leviton	R62-06674-POW
7	Leviton	R12-06672-1LW
8	Leviton	R50-IPL06-10M
9	Eaton	SAL06P-LA-K

## PACKING INFORMATION

SERIES NUMBER	PRODUCT WEIGHT (LBS)	SINGLE BOX WEIGHT (LBS)	# PER CARTON	CARTON BOX WEIGHT (LBS)
DP 4R 8 G1 9FS	0.38 lbs	0.43 lbs	24	11.53 lbs
DP 6R 11 G1 9FS	0.74 lbs	0.80 lbs	24	20.28 lbs
DP 6R 11 G1 930K	0.50 lbs	0.72 lbs	10	8.33 lbs

Due to continuous product improvements, specification and/or equipment updates may change without notice.