



Description

Venture Lighting's color temperature selectable and wattage selectable Canopy is capable of changing to 3 different CCT settings and 3 different wattage settings. These field-adjustable fixtures are preset to the highest wattage and 5000K CCT. Dip switches are used to change the wattage, color temperature and enable/disable the integrated photocell. The flexible selection capability allows for a cost-effective method to reduce stocking inventory by 88% (1 SKU instead of 9). This LED luminaire has a lightweight design featuring long life and low maintenance and allows for easy replacement of existing canopy lighting fixtures. The robust design paired with universal mounting makes them ideal for locations, such as retail canopies where heavy pedestrian traffic makes maintenance difficult.

Construction

The housing unit is constructed from heavy-duty aluminum. Fixtures are finished with a durable white polyester powder coating. To ensure weathertight protection, each optical assembly is sealed with a silicone gasket. Luminaires are rated for an ambient operating temperature range of -40°C to +40°C. The fixture includes an integrated photocell (which can be enabled or disabled).

Electrical

The Class II power supply has a range of 120-277V, 50/60 Hz. 0-10V DC continuous dimming capability is standard (dim-to-off).

Mounting

The fixture is designed for universal surface and pendant mounting.

Warranty

For warranty information refer to: www.venturelighting.com/resources/warranties

*Lumen maintenance data is based on LED testing per IESNA LM-80 and projected per IESNA TM-21.

**Photocell must be enabled when EM is used.



DLC Model # CPS75SP2-WHP1W50

Product Performance

Wattage	3000K CCT Lumen Output	4000K CCT Lumen Output	5000K CCT Lumen Output
75W	9250	10000	9950
60W	7400	8000	7950
40W	4950	5350	5300
Color Rendering Index (CRI)			≥ 80
Lumen Maintenance @50,000 Hrs*			94%
Calculated L70 @25°C Ambient (Hrs)*			293,000
Replaces HID Wattage			Up to 250W
Operating Temperature Range		-40°F to +104°F (-40°C to +40°C)	
EM Temperature Derating		41°F to 95°F (5°C to 35°C)	
Photocell			Integrated (On/Off Switch)
Distribution			110°

Physical Characteristics

Fixture Color	White
Length	10" (254mm)
Width	10" (254mm)
Height	4.17" (106mm)
Weight	6.12 lbs (2.78 kg)

Electrical Characteristics

Input	120-277V, 50/60 Hz
Power Factor	≥ 90%
THD	≤ 20%
Dimming	0-10V DC

Regulatory Qualifications

cULus Listed
 DLC® Premium Qualified
 IP65 Rated – Suitable for wet locations

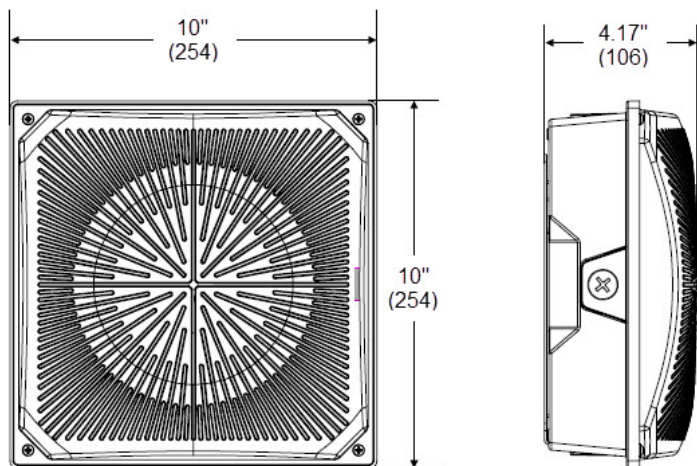
Accessories

PH12568 – Programmable Microwave Motion/Dim/Photocell Sensor
 AC13752 – Motion/Dim/Photocell sensor handheld programmer
 SP12714 – 120-277V Surge Protector
 LN19346 – 160 Degree Lens for 75W Canopy
 AC31925 – Tamper-resistant screws
 Add "-EM" to order code for factory-installed battery backup**
 Add "-S7" to order code for factory-installed M/D/P Sensor (Part# PH12568)
 Add "-TRS" to order code for factory-installed tamper-resistant screws (AC31925)

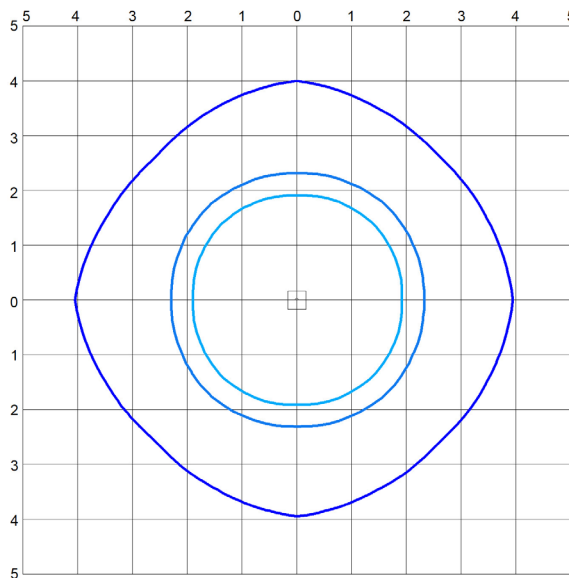
Revision: 09, 15-June 2023

Venture CCT & Wattage Selectable Canopy

Dimensions



Photometrics – 110 Degree Lens



10ft Mounting Height
Divisions are multiples of mounting height

(800) 451-2606

6675 Parkland Blvd., Suite 100

Glenwillow, Ohio 44139 USA

Email: Venture_Lighting@VentureLighting.com

VentureLighting.com

