



CCT & Wattage Selectable Switches

Description

Venture Lighting's color temperature selectable and wattage selectable luminaire is capable of changing to 3 different CCT settings and 4 different wattage settings. These field-adjustable fixtures are preset to the highest wattage and 5000K CCT. The flexible selection capability via dip switches allows for a cost-effective method to reduce stocking inventory to 1 SKU instead of 12. This LED luminaire is designed for great performance, long life, and low maintenance.

Construction

The rugged die-cast aluminum housing is powder-coated for superior corrosion resistance. The high-performance LED sources are mounted to ensure proper thermal management of the system. The design allows for a cooler running LED chip which leads to longer lifetime, better efficacy, and color consistency. The fixture lens has a gasket seal to eliminate the threat of contaminants damaging the components. The standard fixture color is bronze, custom colors are available upon request.

Electrical

The power supply has a range of 120-277V, 50/60Hz. The fixture has a sealed dip switch access port on the back exterior to enable quick CCT and wattage setting changes. An integrated photocell is included (it can be disabled if desired).

Mounting

The fixture comes standard with a U-Bracket mounting arm. An adjustable knuckle mount and adjustable slip fitter mount are also available.

Warranty

For warranty information refer to: www.venturelighting.com/resources/warranties

Notes

*Lumen maintenance data is based on LED testing per IESNA LM-80 and projected per IESNA TM-21.

DLC Model # FLUNV-90WCH8A2-BRPFM50W

Product Performance

Wattage	5000K CCT Lumen Output	4000K CCT Lumen Output	3000K CCT Lumen Output
90W	11,920	12,328	11,320
80W	10,728	11,095	10,188
70W	9,536	9,862	9,056
65W	8,344	8,629	7,924
Color Rendering Index (CRI)	≥ 80		
Lumen Maintenance @50,000 Hrs*	88%		
Calculated L70 @25°C Ambient (Hrs)*	131,000		
Operating Temperature Range	-40°F to +104°F (-40°C to +40°C)		

Physical Characteristics

Fixture Color	Bronze
Length	10.4"
Width	7.5"
Height	2.1"
Weight	6.8 lbs

Electrical Characteristics

Input	120-277V, 50/60 Hz, 1.0A Max
Power Factor	≥ 90%
THD	≤ 20%
Dimming	0/1-10V DC continuous to 10%

Regulatory Qualifications

UL Listed
DLC® Premium Qualified – Model# FLUNV-90WCH8A2-BRPFM50W
IP65 Rated – Suitable for wet locations

Accessories

SP12714 – 120-277V Surge Protector
AC14450 – Adjustable knuckle mount
AC14445 – Adjustable slip fitter mount

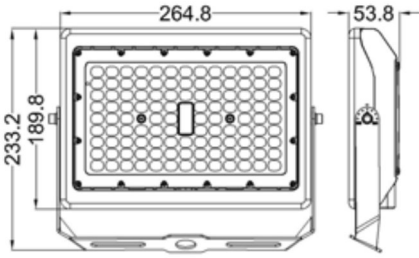
Revision: 04, 09-Sept 2022



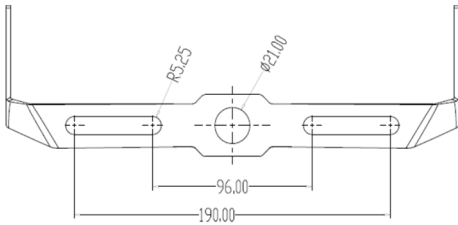
Venture 90W LED Flood

Dimensions (mm)

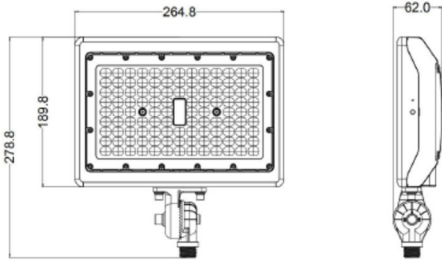
Fixture with U-Bracket (EPA = 0.64ft²)



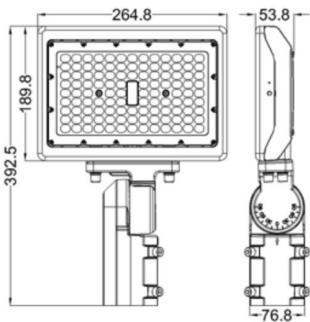
U-Bracket Drill Template



Fixture with Adjustable Knuckle (EPA = 0.69ft²)

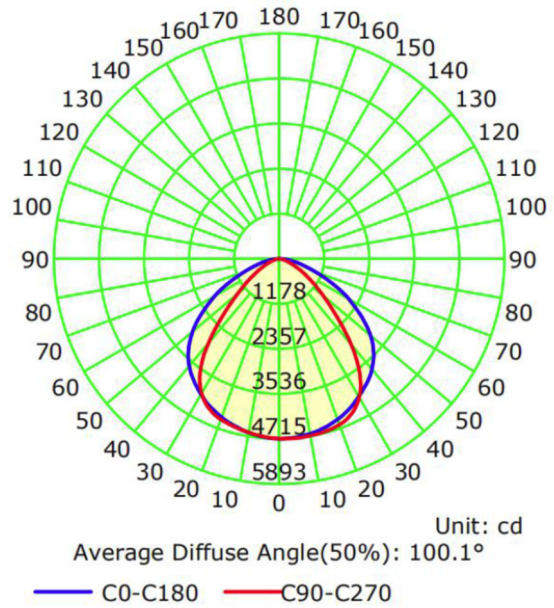


Fixture with Adjustable Slip Fitter (EPA = 0.82ft²)

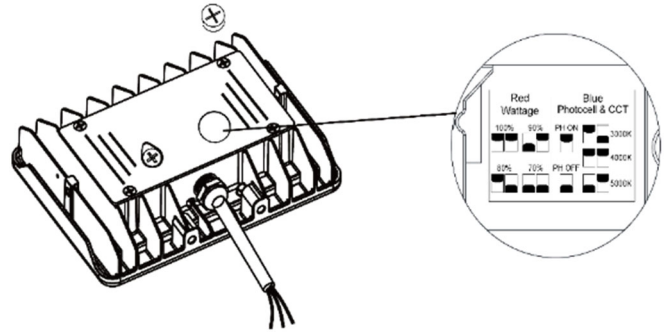


Photometrics

Luminous Intensity Distribution Curve



Wattage and CCT Selectable Switches



(800) 451-2606

6675 Parkland Blvd., Suite 100

Solon, Ohio 44139 USA

Email: Venture_Lighting@VentureLighting.com

VentureLighting.com

