

Description

Venture Lighting's Select-Pro Back-lit LED Panels are low profile, lightweight, and designed for long life and low maintenance. These luminaires are designed to quickly and easily upgrade existing fluorescent fixtures and be more versatile than other LED panels. Each panel is capable of changing to 3 different CCT settings (3500K, 4000K, 5000K) and 3 different wattage settings (3 light levels) with a simple slide switch. The flexible selection capability allows for a cost-effective method to reduce stocking inventory by 88% (1 SKU instead of 9).

Construction

The housing features a metal back plate and metal driver with 7 knockout integrated junction box. The seamless frame is constructed of aluminum that is painted white.

Optics

Each LED has an integrated wide distribution optic designed to provide even illumination without producing visible hot spots.

Electrical

The driver comes prewired with one black input lead (hot), one white input lead (neutral) and one green ground lead. 0-10V DC continuous dimming capability is standard.

Mounting

The panel can be mounted in a recessed ceiling, surface mounted (optional), or suspended (optional). The panel is designed for replacing fluorescent fixtures in T-bar drop ceilings. The panel back plate includes integral T-bar clips for installation onto standard 15/16" T-grid ceilings or narrow 9/16" T-grid ceilings.

Warranty

For warranty information refer to: www.venturelighting.com/resources/warranties

Order Code / DLC Model No: PB114-35-UNV-C&W

Product Performance

Wattage	3500K CCT Lumen Output	4000K CCT Lumen Output	5000K CCT Lumen Output
35W	3900	4150	4000
30W	3300	3550	3400
20W	2200	2350	2250
Color Rendering Index (CRI)			≥ 80
Life Hours			≥ 50,000
Operating Temperature Range			-13°F to 104°F (-25°C to 40°C)

Physical Characteristics

Fixture Color	White
Panel Size	1x4
Width	11.81" (300mm)
Length	47.76" (1214.3mm)
Height	1.66" (42.2mm)
Weight	4.75 lbs (2.15 kg)

Electrical Characteristics

Input	120-277V, 60Hz, 0.30A Max
Power Factor	≥ 90%
THD	≤ 20%
Dimming	0-10V DC continuous dimming capability

Regulatory Qualifications

cETLus Listed; DLC® Qualified
Type IC, inherently protected luminaire
Dry and damp location rated (IP20)

Accessories

KT48110 1X4 Surface Mount Kit, White
KT14136 1X4 Drywall Mount Kit, White
KT23281 Battery Backup Kit, 1X4
AC25420 3/8" 3-Wire 14/3 600V Max 6ft Flex Whip
Add suffix "-WP" to fixture model # for a factory-installed 6ft whip (AC25420)
Add suffix "-EM" to fixture model # for a factory-installed battery backup (KT23281)

Revision: 04, 19-Jan 2023

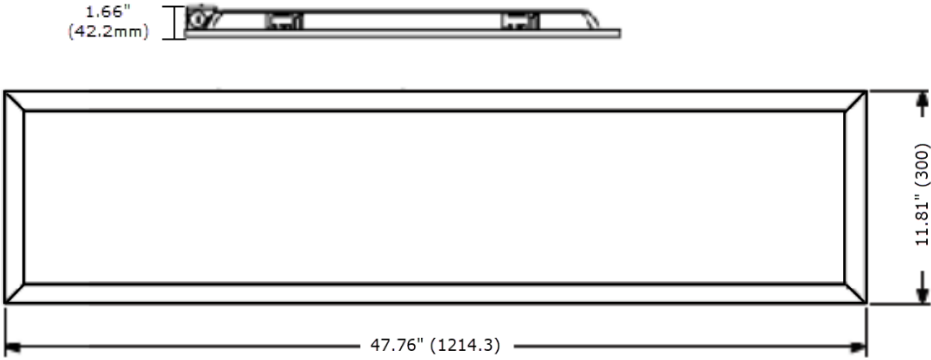
Notes:

- All field-adjustable panels are preset at the highest wattage & 4000K CCT



Select-Pro CCT/Wattage Selectable 1x4 LED Panel

Dimensions



(800) 451-2606

6675 Parkland Blvd., Suite 100

Solon, Ohio 44139 USA

Email: Venture_Lighting@VentureLighting.com

VentureLighting.com

