

## INSTALLATION INSTRUCTIONS

READ ALL OF THESE INSTALLATION INSTRUCTIONS BEFORE INSTALLING THE TRACK LIGHTING SYSTEM.

NOTICE : REFER TO THE " IMPORTANT SAFETY INSTRUCTIONS " SUPPLIED WITH YOUR LANDIA TRACK LIGHTING.

### ELECTRICAL CONNECTIONS

TO CONNECT YOUR TRACK SECTION TO A JUNCTION BOX. YOU WILL NEED THE FOLLOWING PARTS ( INCLUDED ) IN FIGURE 1 THE PARTS A & B & C ARE:

- A. TWIST LOCK CONNECTOR
- B. CANOPY COVER WITH TWO SCREWS
- C. MOUNTING PLATE

- (1) BE SURE THAT THE ELECTRICITY TO THE JUNCTION BOX HAS BEEN TURNED OFF.
- (2) LOOSEN THE SCREWS ON THE CANOPY.
- (3) FEED ALL 3 WIRES ON TWIST LOCK CONNECTOR THROUGH HOLES IN METAL MOUNTING PLATE WITH 2 GROUPS ( WHITE & GREEN WIRES THROUGH ONE HOLE, BLACK WIRE THROUGH ANOTHER HOLE )
- (4) ( REFER TO FIGURE 1 ) CONNECT THE BLACK WIRE FROM THE JUNCTION BOX TO THE BLACK WIRE OF THE TWIST LOCK CONNECTOR (A), USING WIRE CONNECTOR ( PROVIDED )

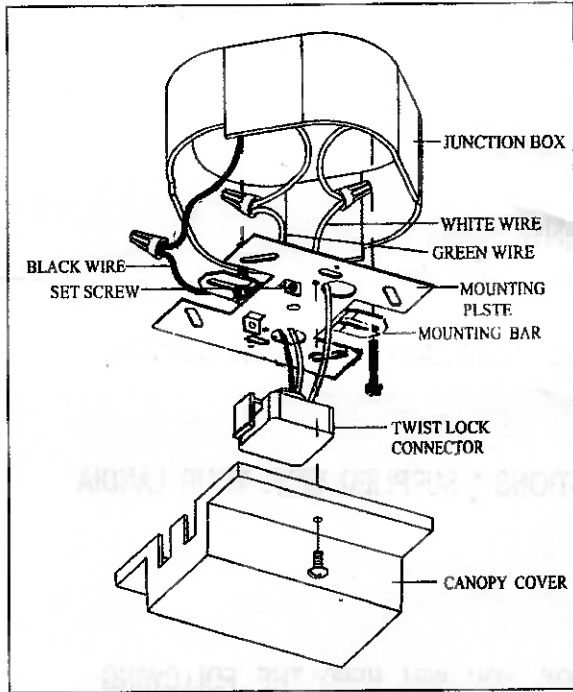


FIGURE 1

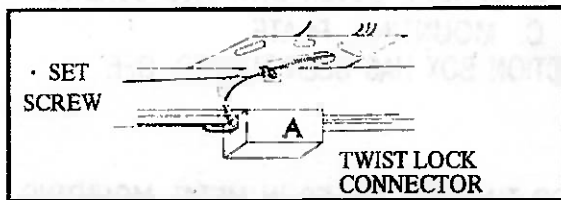
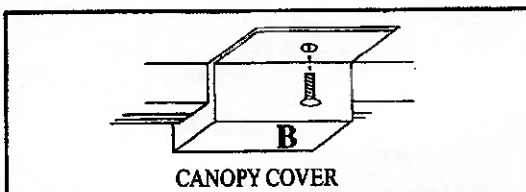


FIGURE 2

FIGURE 3



- (5) ( REFER TO FIGURE 1 ) CONNECT THE WHITE WIRE FROM THE JUNCTION BOX TO THE WHITE WIRE OF THE TWIST LOCK CONNECTOR (A), USING WIRE CONNECTOR ( PROVIDED )
- (6) ( REFER TO FIGURE 1 ) CONNECT THE GREEN GROUNDING LEAD IF AVAILABLE. FROM THE JUNCTION BOX TO THE GREEN GROUNDING WIRE OF THE TWIST LOCK CONNECTOR (A), USING WIRE CONNECTOR ( NOT PROVIDED ). IF THERE IS NO GREEN GROUNDING WIRE AVAILABLE FROM THE JUNCTION BOX, ATTACH THE GREEN GROUNDING WIRE FROM THE TWIST LOCK CONNECTOR TO ANY AVAILABLE SCREW ON THE JUNCTION BOX. MOUNTING BAR CAN ROTATE
- (7) AFTER ALL CONNECTIONS ARE MADE, THE WIRES SHOULD BE ARRANGED SO THAT THE GREEN AND WHITE WIRES ARE ON ONE SIDE OF THE JUNCTION BOX AND THE BLACK WIRES ARE ON THE OTHER SIDE
- (8) ( REFER TO FIGURE 1 ) ATTACH THE MOUNTING BRACKET TO THE JUNCTION BOX USE THE SCREWS PROVIDED WITH THE JUNCTION BOX.
- (9) ATTACH TRACK TO CEILING IN DESIRED POSITION, USING EITHER TOGGLE BOLTS OR WOOD SCREWS WITH WALL ANCHORS ( PROVIDED ). TRACK MUST BE POSITIONED BETWEEN TWO SCREWS ON METAL MOUNTING PLATE.
- (10) ( REFER TO FIG. 2 ) INSTALL TWIST LOCK CONNECTOR (A) INTO TRACK. MAKE SURE THAT THE TWO CONTACT " FINGERS " TURN INTO THE TWO SLOTS IN THE TRACK BY ROTATING 1/4 TURN.
- (11) ( REFER TO FIG. 3 ) PLACE CANOPY COVER (B) OVER CONNECTOR AND TRACK AND ATTACH WITH TWO SCREWS PROVIDED

## TRACK HEAD INSTALLATION

- (1) PULL SLEEVE ON TRACK ADAPTOR DOWNWARD BEFORE PLACING TRACK HEAD IN DESIRED POSITION. MAKE SURE THE TWO CONTACT FINGERS ON ADAPTOR ARE ON THE SAME SIDE AS COPPER SLOTS ON INSIDE OF TRACK.
- (2) ROTATE ADAPTOR 90° UNTIL TRACK HEAD LOCKS INTO PLACE ON TRACK  
(SEE ILLUSTRATION 4)  
IMPORTANT : IF ADAPTOR DOES NOT TURN FREELY, DO NOT FORCE ! INSTEAD, TURN IN THE OPPOSITE DIRECTION.
- (3) TO RE-POSITION OR REMOVE TRACK HEAD, PULL DOWN THE SLEEVE OUTSIDE THE ADAPTOR AND ROTATE 90°

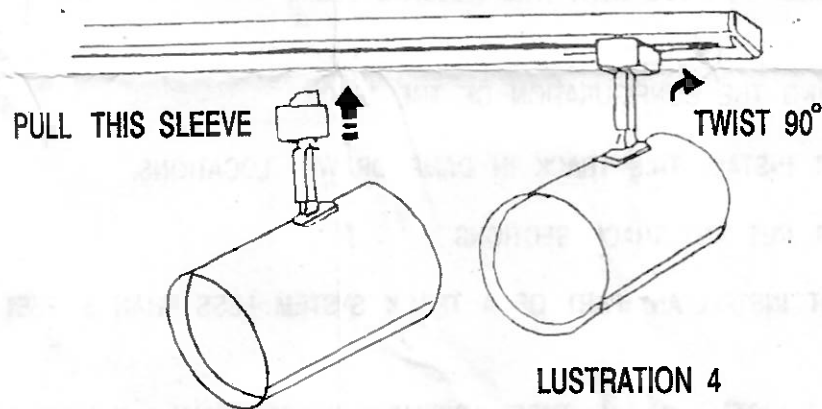


ILLUSTRATION 4

CAUTION : REFER TO THE LABEL LOCATED INSIDE THE LAMP HEAD FOR RECOMMENDED  
MAXIMUM BULB WATTAGE - DO NOT EXCEED RECOMMENDED MAXIMUM  
WATTAGE.

BEFORE YOU BEGIN INSTALLATION OF YOUR TRACK LIGHTING SYSTEM, READ THE FOLLOWING IMPORTANT SAFETY INSTRUCTIONS AND INSTALLATION INSTRUCTIONS. SAVE THESE INSTRUCTIONS AND REFER TO THEM WHEN MAKING ADDITIONS TO OR CHANGES IN THE TRACK CONFIGURATION.

## **IMPORTANT SAFETY INSTRUCTIONS**

### **PLEASE READ ALL INSTRUCTIONS**

- (1) THIS TRACK SYSTEM IS NOT INTENDED FOR USE WITH ANY POWER SUPPLY CORD. IF YOU CHOOSE TO USE AN OPTIONAL CORD AND PLUG WITH THE PRO-TRACK UNIT, YOU MUST ONLY USE THE OPTIONAL PRO-TRACK CORD AND PLUG.
- (2) THIS TRACK SYSTEM IS TO BE SUPPLIED BY A SINGLE PHASE 120V, 15A 60Hz BRANCH CIRCUIT.
- (3) THE TRACK IS NOT INTENDED TO BE PENDANT MOUNTED SUCH AS BY A STEM OR WIRE.
- (4) THIS TRACK SYSTEM IS ONLY TO BE USED WITH OTHER ELECTRICAL FITTINGS IDENTIFIED FOR USE WITH THIS TRACK SYSTEM.
- (5) DISCONNECT ELECTRICAL POWER TO THE JUNCTION BOX BEFORE ADDING TO OR CHANGING THE CONFIGURATION OF THE TRACK.
- (6) DO NOT INSTALL THIS TRACK IN DAMP OR WET LOCATIONS.
- (7) DO NOT CUT ANY TRACK SECTIONS.
- (8) DO NOT INSTALL ANY PART OF A TRACK SYSTEM LESS THAN 5 FEET ABOVE THE FLOOR.
- (9) DO NOT INSTALL ANY FIXTURE ASSEMBLY CLOSER THAN 6 INCHES FROM ANY CURTAIN OR SIMILAR COMBUSTIBLE MATERIAL.
- (10) DO NOT ATTEMPT TO ENERGIZE ANYTHING OTHER THAN LIGHTING TRACK FIXTURES ON THE TRACK. TO REDUCE THE RISK OF FIRE AND ELECTRIC SHOCK, DO NOT ATTEMPT TO CONNECT POWER TOOLS, EXTENSION CORDS, APPLIANCES AND OTHER SIMILAR ITEMS TO THE TRACK.