

# SureFit™ v3

## Ultra Slim Surface Mount LED Downlight

### Product Description

The newest version of the SureFit™ Ultra Slim Surface Mount LED Downlight features increased lumen output and efficiency while keeping the same installation compatibility. The DLF will fit most standard 4/O, 4" non-metallic new construction or remodel J-Boxes. Simply mount the fixture directly to the J-Box using the keyhole mounting slots and two screws. Detachable round trims and square steel trims offer a seamless finish in both round and square apertures to enhance the visual aesthetic of any living space. The NICOR SureFit™ is the perfect solution for residential and light commercial spaces including living rooms, bedrooms, home theaters, corridors, office, retail and more.

#### Construction

- Stamped aluminum housing routes heat away from electrical components
- Custom designed, integrated driver allows for use in metallic and non-metallic 4" and 4/O J-Boxes
- Detachable round steel trim
- Optional square die cast aluminum trim

#### Optical System

- Polystyrene diffuser creates uniform distribution without sacrificing lumen output
- Binned within 4-step MacAdams with  $\text{duv} < \pm 0.003$
- Utilizes high performing LEDs with 90+ CRI and an  $R9 > 50$

#### Electrical

- Custom slim driver minimizes installation height
- Input voltage of 120VAC, 60Hz
- Dimmable to less than 5% with compatible leading edge (TRIAC) and trailing edge (ELV) dimmers

#### Finish

- White powder coat finish standard
- Optional trims available in Black, Nickel, and Oil-Rubbed Bronze

#### Mounting and Installation

- Easy installation in most 4/O and 4" non-metallic new construction and remodel J-Boxes (a volume of 20in<sup>3</sup> or greater is recommended)
- Removable trim allows for easy mounting while providing a seamless trim finish
- Fixture mounts directly to J-Boxes with two screws
- Keyhole slots allow quick and easy installation
- Three three-port poke-in connectors included
- Operating temperature of 0° to 104°F (-18°C to 40°C)

#### Listings

- LM-79, LM-80 testing performed in accordance with IESNA standards
- UL/cUL1598 Listed for wet locations
- Suitable for use in closets: Compliant with NFPA® 70, NEC® Section 410.16 (A)(3) and 410.16 (C)(5)
- RoHS Compliant
- Meets FCC Part 15, Subpart B, Class B standards for conducted and radiated emissions
- LED lumen maintenance: L70(9k)>54,000 hrs

#### Warranty

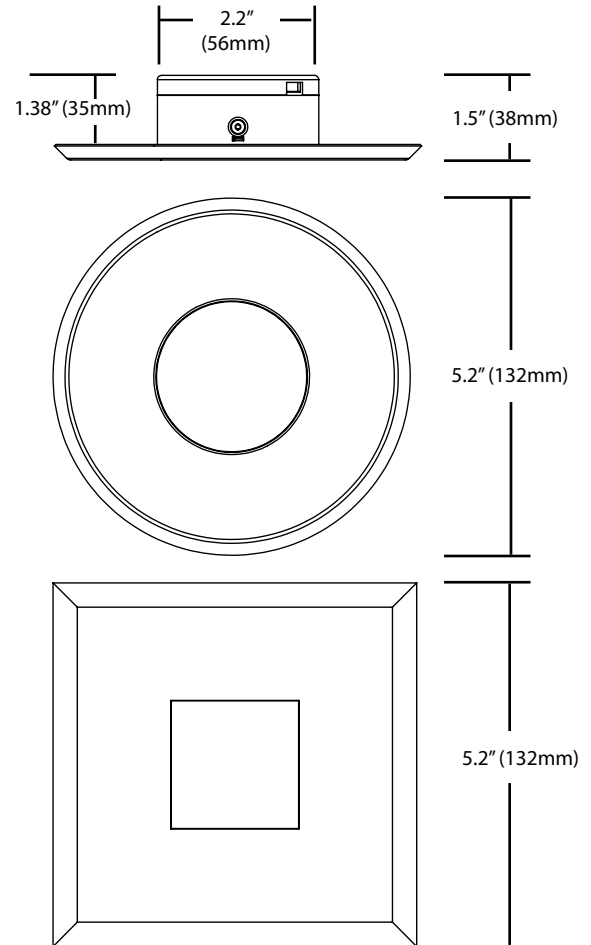
- 5-year limited system warranty standard
- Warranty does not cover product failure due to an overvoltage event (power surge)
- For installations where power surge may be possible, NICOR recommends installing additional surge protection at the electrical distribution panel

Project

Catalog

Type

Date



Except 5000K

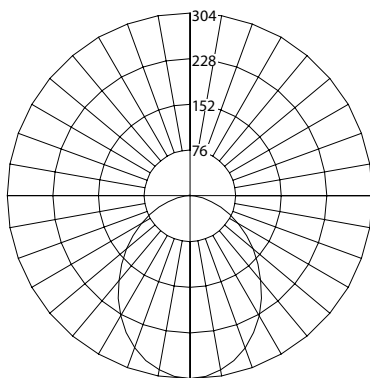
Pat. No.: US 10,508,783

**NICOR** LED

## Photometric Data

### DLF 2700K

Input Voltage (VAC)	120V
System Level Power (W)	10.1
Delivered Lumens* (Lm)	706
System Efficacy (Lm/W)	69.9
Correlated Color Temp (K)	2689
Color Rendering Index (CRI)	92 R9=52
Beam Angle	94°
Spacing Criteria	1.16



#### Intensity Summary (Candle Power)

Angle	Mean CP
0	304
5	301
15	284
25	251
35	208
45	160
55	115
65	73
75	39
85	8
90	1

#### CCT Data Multiplier

DLF301203KWH	1.020
DLF301204KWH	1.058
DLF301205KWH	1.071

#### Cone of Light Tabulation

Mounted height (Feet)	Footcandles Beam Center	Diameter (Feet)
4	18.98	7.4
6	8.43	11.1
8	4.74	14.8
10	3.04	18.5
12	2.11	22.1

#### Zonal Lumen Summary

Zone	Lumens	% of Luminaire
0-30	224	31.7%
0-40	354	50.2%
0-60	582	82.4%
0-90	706	100%
90-180	0	0%
0-180	706	100%

Fixture tested per LM-79-08. Photometric data is of the performance of a representative fixture with round white trim. Results may vary in the field.

#### Performance Data

Model Number	Lumens*	Watts	Lumens/Watt
DLF301202KWH	706	10.1	69.9
DLF301203KWH	720	10.1	71.3
DLF301204KWH	747	10.1	74.0
DLF301205KWH	756	10.1	74.9

\*With round white trim

#### Recommended Dimmers\*

Lutron Diva DVCL-153P  
 Leviton IPL06  
 Legrand Adorne SoftTap  
 Lutron Caseta PD-6WCL  
 Lutron Skylark SCL-153P

\*Not a complete list. Check compatibility before installation.

#### Housing Compatibility\*

4" O Metallic	4" Non-Metallic
Any of depth ≥ 1.5"	Carlton B620 series
	Arlington f426
	Legrand S120 Series
	Allied 935X Series

## Ordering Information

Example: DLF301203KWH

Series	Version	Voltage	CCT's	Trim Color
<b>DLF</b>	<b>30</b>	<b>120</b> (120V)	<b>2K</b> (2700 K)	<b>WH</b> (White)
			<b>3K</b> (3000 K)	
			<b>4K</b> (4000 K)	
			<b>5K</b> (5000 K)	

Specifications and dimensions subject to change without notice.

## Accessories

Accessories sold separately

Round Nickel Trim	DLF-2-TRIM-RD-NK
Round Oil-Rubbed Bronze Trim	DLF-2-TRIM-RD-OB
Round Black Trim	DLF-2-TRIM-RD-BK
Round White Trim	DLF-2-TRIM-RD-WH
Square Nickel Trim	DLF-2-TRIM-SQ-NK
Square Oil-Rubbed Bronze Trim	DLF-2-TRIM-SQ-OB
Square Black Trim	DLF-2-TRIM-SQ-BK
Square White Trim	DLF-2-TRIM-SQ-WH

\*DLFv2 Trims are compatible with the DLFv3