



PL Type A LED PL Lamps

HIGHLIGHTS

- LED PL Type A G24q (4-pin) plug and play replacement lamps directly replace traditional G24q & GX24q (4-pin) 13W, 18W, 26W and 42W CFL lamps without having to change a ballast
- Rotatable base provides precision aiming (horizontal installation)
- Instantaneous full light output upon power-up
- Omni directional lamps provide 360° of light distribution
- Polycarbonate lens reduces the risk of injury or breakage

CERTIFICATIONS

- UL Listed for Damp Locations
- RoHS Compliant
- FCC Compliant
- ICES-005 Compliant
- DesignLights Consortium® Qualified - meets DLC requirements for efficacy and lumen maintenance (select 9.5W, 14.5, 17W models only)

PERFORMANCE

- High efficacy: up to 134 lm/W
- Available in single CCT models: 2700K, 3500K or 4000K CCT or FieldCCeT models: (field-selectable CCT 30/35/4000K)
- CRI >80
- Rated Lifetime: L70 > 50,000 hours

ELECTRICAL

- Input voltage: Type A - Voltage dependent on ballast
- Power Factor: >0.9
- THD: <20%

THERMAL

- -4°F to 113°F (-20°C to 45°C) operating temperature*

CONSTRUCTION

- Aluminum heatsink
- Polybutylene Terephthalate base
- Shatter-resistant lamp housing

BALLAST COMPATIBILITY

- For a list of compatible ballasts please visit eiko.com

DIMMING

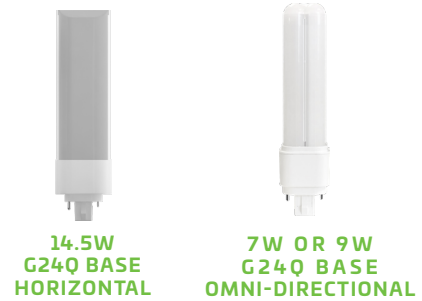
- Dimmable with dimming ballast. Check eiko.com for the updated Dimmer Compatibility Guide

WARRANTY

- 5-Year limited warranty available online. Contact your EiKO sales rep for additional details

*Not recommended for air-tight fixtures

project name	type
catalog number	voltage
approved by	date



KEY FEATURES

LAMP-FOR-LAMP REPLACEMENT

Hassle-free install with a lamp-for-lamp replacement

FEWER SKUS TO MANAGE

One lamp can work on multiple sockets, allowing you to reduce your inventory while providing more flexibility to your customers (see Socket Compatibility section)

THREE COLOR TEMPERATURES IN ONE

FieldCCeT models (one SKU providing 3000K, 3500K, 4000K CCT) allows you to reduce your inventory while providing more flexibility to your customers (available on 9.5W G24q base models)

ROTATABLE BASE

Horizontal installation models feature a rotatable base of up to 270° to provide precision aiming



ONE LAMP WORKS WITH MULTIPLE SOCKETS

FieldCCeT CCT-SELECTABLE MODELS

ROTATABLE BASE

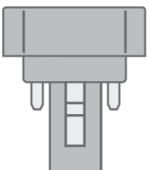
AVAILABLE MODELS

ORDER CODE	ITEM #	WATTS	LUMENS	CCT*	EFFICACY (lm/W)	INSTALL POSITION	BEAM ANGLE	ROTATABLE BASE	TRADITIONAL WATTAGE EQUIVALENT	DLC ID#
G24Q - 6 WATTS										
12887	L6WPLC/A/835/UD/G24Q/HR	6W	550 lm	3500K	95 lm/W	Horizontal	110°	270°	13/18W	N/A
12878	L6WPLC/A/835/UD/G24Q/V	6W	600 lm	3500K	103 lm/W	Vertical	120°	N/A	13/18W	N/A
12861	L6WPLC/A/840/UD/G24Q/HR	6W	600 lm	4000K	103 lm/W	Horizontal	110°	270°	13/18W	N/A
12881	L6WPLC/A/840/UD/G24Q/V	6W	650 lm	4000K	112 lm/W	Vertical	120°	N/A	13/18W	N/A
G24Q - 7 WATTS										
12865	L7WPLC/A/835/UD/G24Q/O	7W	830 lm	3500K	119 lm/W	Omni-directional	360°	N/A	13/18W	N/A
12892	L7WPLC/A/840/UD/G24Q/O	7W	860 lm	4000K	123 lm/W	Omni-directional	360°	N/A	13/18W	N/A
G24Q - 9.5 WATTS										
12874	L9.5WPLC/A/835/UD/G24Q/HR	9.5W	1050 lm	3500K	111 lm/W	Horizontal	110°	270°	26W	S-O0N63D
12866	L9.5WPLC/A/835/UD/G24Q/O	9.5W	1200 lm	3500K	126 lm/W	Omni-directional	360°	N/A	26W	N/A
12879	L9.5WPLC/A/835/UD/G24Q/V	9.5W	1050 lm	3500K	111 lm/W	Vertical	120°	N/A	26W	S-X2INZ1
12876	L9.5WPLC/A/840/UD/G24Q/HR	9.5W	1050 lm	4000K	111 lm/W	Horizontal	110°	270°	26W	S-O54D6X
12885	L9.5WPLC/A/840/UD/G24Q/O	9.5W	1250 lm	4000K	132 lm/W	Omni-directional	360°	N/A	26W	N/A
12870	L9.5WPLC/A/840/UD/G24Q/V	9.5W	1050 lm	4000K	111 lm/W	Vertical	120°	N/A	26W	S-X6Z17Q
12875	L9.5WPLC/A/8FCCT/UD/G24Q/HR	9.5W	1050 lm	30/35/4000K	107 lm/W	Horizontal	110°	270°	26W	S-IJCRLE
12877	L9.5WPLC/A/8FCCT/UD/G24Q/V	9.5W	1150 lm	30/35/4000K	117 lm/W	Vertical	120°	N/A	26W	S-M1XGJ3
G24Q - 14.5 WATTS										
12852	L14.5WPLC/A/835/UD/G24Q/HR	14.5W	1900 lm	3500K	131 lm/W	Horizontal	110°	150°	42W	S-6D918U
12853	L14.5WPLC/A/840/UD/G24Q/HR	14.5W	1950 lm	4000K	134 lm/W	Horizontal	110°	150°	42W	S-7LRPEQ
G24Q - 17 WATTS										
12858	L17WPLC/A/835/UD/G24Q/V	17W	2050 lm	3500K	121 lm/W	Vertical	120°	N/A	42W	S-CAMSD2
12860	L17WPLC/A/840/UD/G24Q/V	17W	2050 lm	4000K	121 lm/W	Vertical	120°	N/A	42W	S-DR73JL

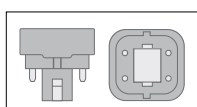
*All CCT-selectable lamps ship at 4000K CCT

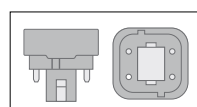
SOCKET COMPATIBILITY

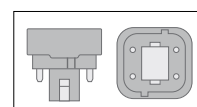
**TYPE A
G24Q
PL LAMP**

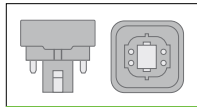


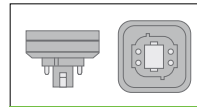
WORKS WITH

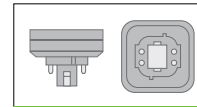

G24q-1

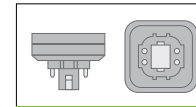

G24q-2


G24q-3

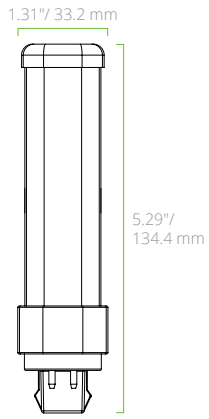

GX24q-1


GX24q-2

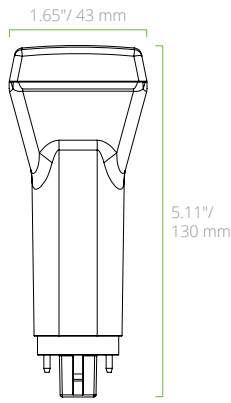

GX24q-3


GX24q-4

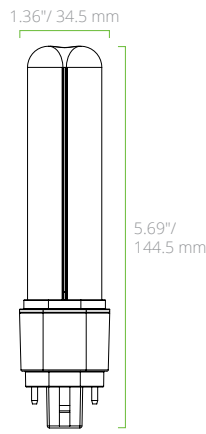
PRODUCT DIMENSIONS



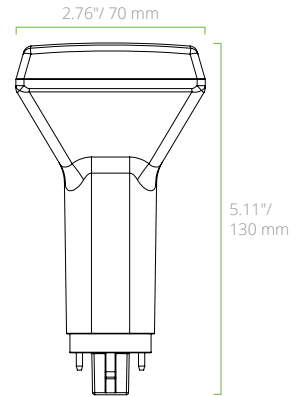
**L6W G24Q BASE
HORIZONTAL**



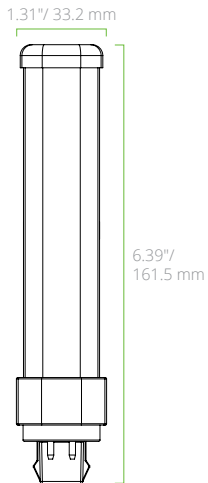
**L6W G24Q BASE
VERTICAL**



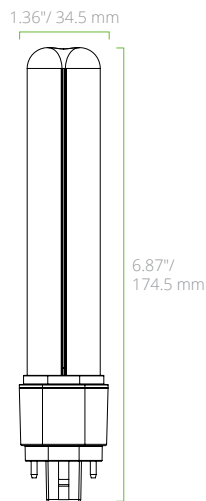
**L7W G24Q BASE
OMNI-DIRECTIONAL**



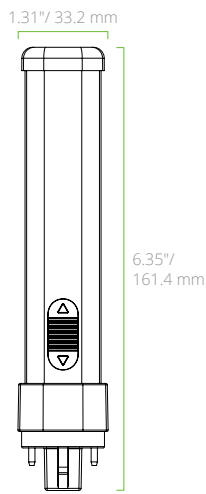
**L95.W G24Q BASE
VERTICAL**



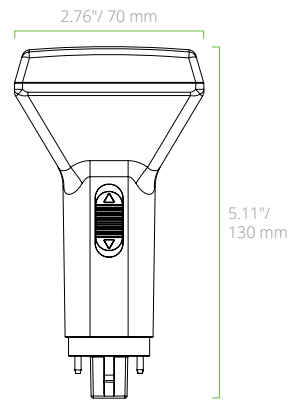
**L9.5W G24Q BASE
HORIZONTAL**



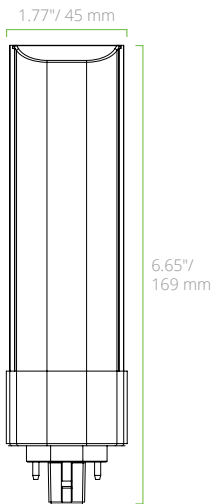
**L9.5W G24Q BASE
OMNI-DIRECTIONAL**



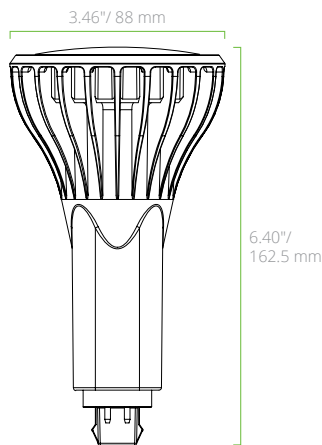
**L9.5W G24Q BASE
HORIZONTAL
(CCT SELECTABLE)**



**L95.W G24Q BASE
VERTICAL
(CCT SELECTABLE)**



**L14.5W G24Q BASE
HORIZONTAL**



**L17W G24Q BASE
VERTICAL**