



## CST1 Commercial Strip

### HIGHLIGHTS

- Performance commercial strip designed with value in mind
- Unique push button access allows for the lens and LED board to be easily removed, allowing quick access to driver
- Available in 4' and 8' lengths
- 2 x 1/2" knockouts on each end
- Linear alignment plate accessory makes row mounting quick and easy (surface and suspension alignment plates available)
- V-Hooks included with fixture

### CERTIFICATIONS

- ETL listed for US & Canada
- RoHS Compliant
- FCC Compliant
- ICES-005 Compliant
- Damp Location rated
- DesignLights Consortium® Qualified - meets DLC requirements for efficacy and lumen maintenance

### PERFORMANCE

- High efficacy, up to 130 lm/W
- Available in 3000K or 4000K CCT
- CRI: >80
- Beam Angle: 120°
- Rated Life L70: >54,000 Hours

### ELECTRICAL

- Input voltage: 120-277V
- 0-10V dimming, dim-to-off
- 12VDC Aux, 200mA
- Surge Protection: 2kV
- Power Factor: >0.9
- THD: <20%

### THERMAL

- -4°F to 113°F (-20°C to 45°C) ambient operating temperature
- Ambient operating temperature with sensor (see selected sensor datasheet)

### CONSTRUCTION

- White powder coated steel housing
- Diffused polycarbonate lens

### WARRANTY

- 5 Year limited warranty available [online](#). Contact your EiKO sales rep for additional details.

## KEY FEATURES

### PUSH BUTTON RELEASE

Push buttons located on the side allow for the lens and LED board to be quickly removed, making wiring and installation easier

### ALIGNMENT PLATE ACCESSORY

Optional alignment plate accessory available to make row mounting connections easy (available for both surface and suspension mounting)

### V-HOOKS INCLUDED

V-Hooks included for suspension-ready installation right out of the box

### AIRCRAFT CABLE ACCESSORY

Optional aircraft cable accessory available, compatible with suspended alignment plate

project name	type
catalog number	voltage
approved by	date



4 FOOT



8 FOOT



### APPLICATIONS

- Warehouses
- Manufacturing Plants
- Distribution Centers
- Grocery Stores
- Indoor Recreational Facilities
- Big Box Retail
- Service Repair Centers



PUSH BUTTONS ALLOW QUICK ACCESS TO DRIVER



INCLUDED V-HOOKS FOR SUSPENSION INSTALLATIONS

ALIGNMENT PLATE ACCESSORY FOR SURFACE AND SUSPENDED ROW MOUNTING



AIRCRAFT CABLE AVAILABLE

## MODEL CONFIGURATOR\*

MODEL	SIZE	WATTS	CCT	VOLTAGE & DIMMING
<b>CST1:</b> Commercial Strip	<b>4:</b> 4' <b>8:</b> 8'	<b>32:</b> 32W <b>64:</b> 64W	<b>40:</b> 4000K <b>50:</b> 5000K	<b>U:</b> 120-277V, 0-10V dimming

\*Not all model combinations are available. See item list on following page for possible combinations

## FACTORY INSTALLED OPTIONS

CUSTOM CORD LENGTH	CORD END
<b>[Blank]</b> : Default, no cord <b>W1xx</b> : 300V 18/3 white cord Custom length required (in feet)	<b>[Blank]</b> : Default, no cord end <b>N01</b> : 125V 15A straight plug <b>N02</b> : 250V 15A straight plug <b>N04</b> : 125V 15A locking plug <b>N05</b> : 250V 15A locking plug <b>N06</b> : 277V 15A locking plug <b>N07</b> : 125V 20A straight plug <b>N08</b> : 250V 20A straight plug <b>N09</b> : 277V 20A straight plug <b>N10</b> : 125V 20A locking plug <b>N11</b> : 250V 20A locking plug <b>N12</b> : 277V 20A locking plug

SEE  
BELOW  
FOR  
FIELD  
INSTALLED  
CONTROL  
OPTIONS

MODEL CONFIGURATOR						FACTORY INSTALLED OPTIONS					
MODEL	-	SIZE	WATTS	-	CCT	-	VOLTAGE	-	CORD LENGTH	-	CORD END
<b>CST1</b>	-			-		-		-		-	

EXAMPLE PART NUMBER: CST1-432-40-U-W130-N08

## AVAILABLE MODELS

ORDER CODE	ITEM #	LENGTH	WATTS	CCT	LUMENS	EFFICACY (lm/W)	VOLTAGE	TRADITIONAL WATTAGE EQUIVALENT	DLC ID#
									STANDARD
13412	CST1-432-40-U	4'	32W	4000K	4160 lm	130lm/W	120-277V	2 lamp 32W T8	S-6FNU4R
13413	CST1-432-50-U	4'	32W	5000K	4160 lm	130lm/W	120-277V	2 lamp 32W T8	S-DW4OFA
13414	CST1-864-40-U	8'	64W	4000K	8320 lm	130lm/W	120-277V	2 lamp 96W T8 / 4 lamp 32W T8	S-CF5Y2M
13415	CST1-864-50-U	8'	64W	5000K	8320 lm	130lm/W	120-277V	2 lamp 96W T8 / 4 lamp 32W T8	S-8KA9Q2

## ACCESSORIES

ORDER	ORDER CODE	ITEM #	DESCRIPTION
AVAILABLE Q3	14341	CST1-SM-AP	CST1 4/8ft Surface Mount Alignment Plate
AVAILABLE Q3	13520	CST1-AP	CST1 4ft Suspension Aircraft Cable, Order x2 for 8ft
AVAILABLE Q3	13519	CST1-SA-AP	CST1 4/8ft Suspended Mount Alignment Plate

## CONTROLS & SENSORS: FIELD INSTALLED

ORDER	ORDER CODE	ITEM #	DESCRIPTION
<b>STANDALONE CONTROLS</b>			
<b>PIR SENSORS</b>			
	800654	MS2-OPD-3	Stand-alone PIR Motion Sensor, 120-347V, 1/2" knock-out, On/Off, Ambient Threshold, 40ft, Parameters set by dip switch.
	800655	MS2-DPX-3	Stand-alone PIR Motion Sensor, 120-347V, 1/2" knock-out, 0-10V, Ambient Threshold, 40ft, Parameters set by dip switch or RC-100/SEN5A-ACT.
	10220	SEN-3B-KO	Stand-alone PIR Motion Sensor, 120-277V, IP66, 1/2" knock-out, 0-10V, Ambient Threshold, 30ft, Parameters set by SEN-3-RC.
	10476	SEN-3AA-KO	Stand-alone PIR Motion Sensor, 120-277V, 1/2" knock-out, On/Off, Ambient Threshold, 30ft, Parameters set by dip switch.
	13342	SEN5A-SZPR-WH	Stand-alone PIR Motion Sensor, 12-24V, Z10, 0-10V, Daylight Harvesting, 40ft, White, Parameters set by SEN5A-ACT <b>Note:</b> Swivel mount adaptor required: SENA-AZ-WH.
<b>MICROWAVE SENSORS*</b>			
	313895	MS1-DHR-KO-1	Stand-alone Microwave Motion Sensor, 120-277V, IP65, 1/2" knock-out, 0-10V, Ambient Threshold, 48ft, Parameters set by RC01.
	12150	SEN/M/S1C/KO	Stand-alone Microwave Motion Sensor, 120-277V, IP65 1/2" knock-out, 0-10V, Ambient Threshold, Parameters set by SEN-S1-RC3.
	13341	SEN5A-SZMR-WH	Stand-alone Microwave Motion Sensor, 12-24V, Z10, 0-10V, Daylight Harvesting, 40ft, White, Parameters set by SEN5A-ACT. <b>Note:</b> Swivel mount adaptor required: SENA-AZ-WH.
	11931	SEN5A/M/Z10	Stand-alone Microwave Motion Sensor, 12-24V, Z10, 0-10V, Ambient Threshold, 40ft, Parameters set by RC-100/SEN5A-ACT. <b>Note:</b> Swivel mount adaptor required: SENA-AZ-WH.

\* Microwave sensors must be installed on stable and immovable fixtures to avoid false activation from swinging.

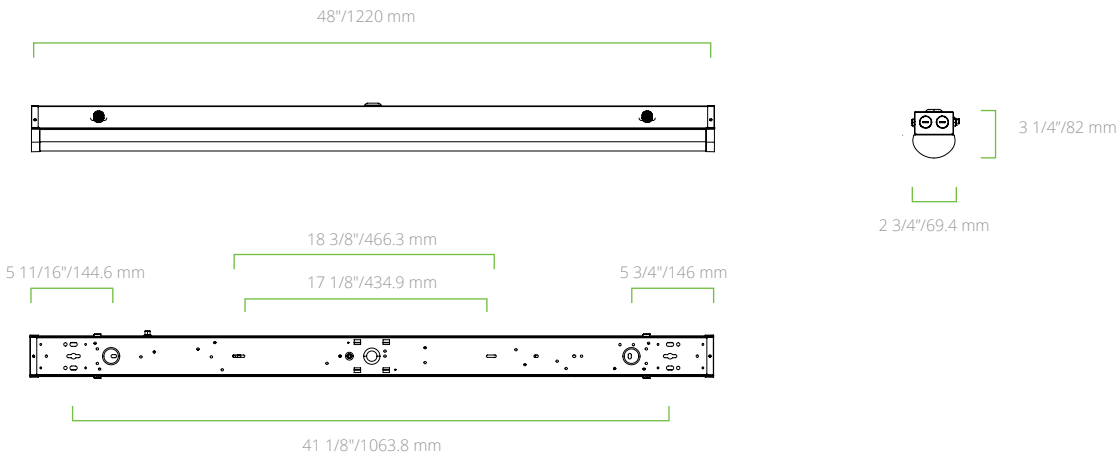
<b>REMOTES FOR COMMISSIONING STANDALONE CONTROLS</b>			
	13344	SEN5A-ACT	Commissioning Tool for SEN5A, BAY-E-SEN/PIR, BAY-E-SEN/M, and MS2-DPX-3. (Backward compatible with SEN5A/CT and RC-100)
	10226	SEN-3-RC	Commissioning Tool for SEN-3B-KO and SEN-3C-KO.
	313897	RC01	Commissioning Tool for MS1-DHR-SA-4, MS1-DHR-KO-1, MS1-DHR-KO-4.
	10917	SEN-S1-RC3	Commissioning Tool for SEN/M/S1C/KO.

<b>NETWORKED LIGHTING CONTROLS (NLC)</b>			
<b>PIR SENSORS</b>			
	13246	SENA-WZPA-WH	BLE PIR Motion sensor, 12-24V, IP65, Z10, 0-10V, Daylight Harvesting, 40ft, Parameters set by Silvoir App. <b>Note:</b> Swivel mount adaptor required: SENA-AZ-WH.
	12643	PSC-ZKV-WCM-100-BLE-SR	BLE TruBle wireless fixture Controller, 12-24V, Z10, 0-10V, Parameters set by Silvoir App. <b>Note:</b> Swivel mount adaptor required: SENA-AZ-WH.
<b>WALL OR WIRELESS CONTROLLERS</b>			
	12654	ESRPB-W-EO	BLE Easyfit by EnOcean wireless self-powered kinetic Single rocker pad, white, wall plate included.
	12655	EDRPB-W-EO	BLE Easyfit by EnOcean wireless self-powered kinetic Double rocker pad, white, wall plate included.
	12635	PSC-DM-WS-100-BLE-SR	BLE TruBlu 120-277V, Single Gang Single Button Wall Controller, White, Parameters set by Silvoir App.
	12636	PSC-DM-I-WS-100-BLE-SR	BLE TruBlu PIR Occupancy/ Vacancy Sensor, 120-277V, Single Gang Wall Controller, White, Parameters set by Silvoir App.
	12637	PSC-DM-WS-400-BLE-SR	BLE TruBlu 120-277V, Single Gang 4-Button Wall Controller, White, Parameters set by Silvoir App.
<b>ADAPTERS &amp; ACCESSORIES</b>			
	13343	SENA-AZ-WH	SENA-AZ-WH; Z10 White Stem Swivel Mount bracket 12-24VDC Max. 22AWG 2ft V+(1:Yellow) Dim-(2:Pink) Dim+(3:Purple) Optional(4:Brown)

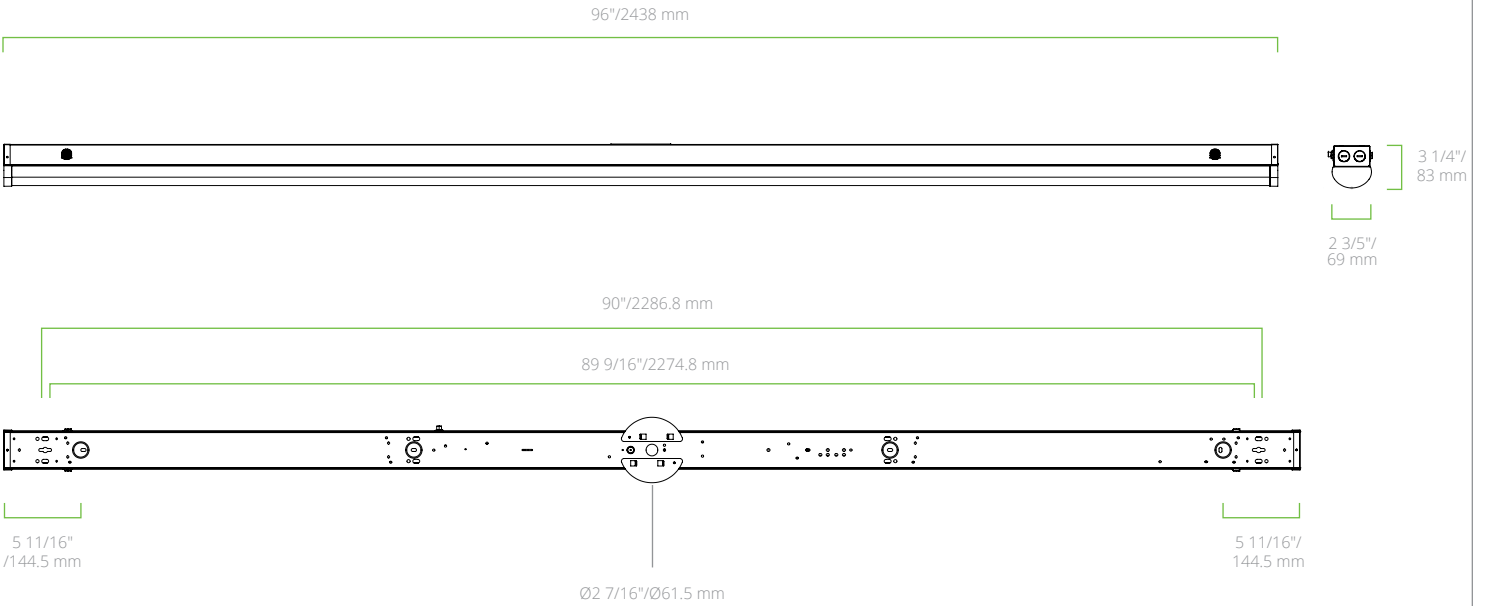
## BATTERY BACKUPS

ORDER	ORDER CODE	ITEM #	DESCRIPTION
	10918	EEBN08WUA050	EiKO Emergency Battery Kit Internal 8W 120-277VAC 25-50VDC CEC Compliant. Field Installed Only.
	10896	EEBN15WUA050	EiKO Emergency Battery Kit Internal 15W 120-277VAC 25-50VDC CEC Compliant. Field Installed Only.
	10897	EEBN20WUA050	EiKO Emergency Battery Kit Internal 20W 120-277VAC 25-50VDC CEC Compliant. Field Installed Only.

# PRODUCT DIMENSIONS



## 4' MODELS



## 8' MODELS