

<b>PROJECT:</b>	
<b>SCHEDULE:</b>	<b>DATE:</b>
<b>PREPARE BY:</b>	
<b>NOTES:</b>	

**EX/ EM EMERGENCY EXIT SIGNS & LIGHT**

**DESCRIPTION**

naturaLED® featuring Bi-Color Emergency Exit Signs and Dual Head Emergency light. Injection-molded thermoplastic ABS housing. Easy to install, long-lasting LED light with test switch and charge indicator light. UL 94V-0 flame rated with up to 2 year warranty.



**APPLICATIONS**

Emergency Exit, Emergency Lighting

**Rated Life 50,000 Hours  
Warranty 2 Years**

**FEATURES**

- UL Listed
- IP22 Rated (Indoor only)
- Voltage:120/277V
- Battery: Ni-Cad 3.6V 1000mAh
- Adjustable heads / 1.2W Per head (Dual Head)
- Operating Temperature: 32°F ~ 104°F
- Injection-molded thermoplastic ABS housing, UL 94V-0 flame rating
- Innovation, easy installation
- Suitable for wall mount & ceiling mount (Dual Head)
- Suitable for wall mount & J-Box ceiling mount, Single or double faces (for Both Emergency Exit Signs)
- Maximum 24 hours for full recharge time
- Test switch and charge indicator
- Warranty: 2 years
- Rated Life Hours: 50,000

SAMPLE NUMBER		LEDEX-GRN/RED-WH	
STYLE	TYPE	COLORS	HOUSING COLOR
LED LED Lighting	EX Emergency Exit Sign	GRN/RED Green/ Red	WH White



# EMERGENCY EXIT SIGN & LIGHT

WALL LUMINAIRES

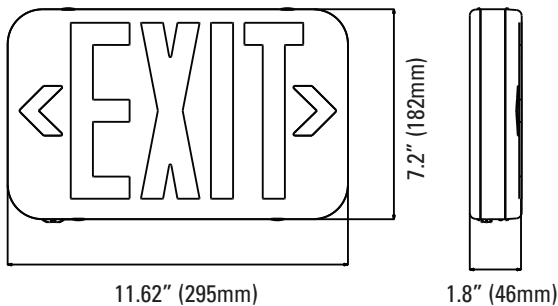
## ORDERING

Watts (W)	Ordering Code	Description	Lumens	Voltage	Input Current (A)	Built-in Battery	Charing Time	Emergency Run Time
1	<b>7521</b>	LEDEX-GRN/RED-WH	-	120/277V	0.09A(max)	1.2V-1000mAH	24-hrs	90-min
3.5	<b>7528</b>	LEDEX-EMFD-GRN/RED-WH	>180	120/277V	0.031A(max)	1.2V-1000mAH	24-hrs	90-min
2	<b>7522</b>	LEDEM-FD-WH	240	120/277V	0.09A(max)	3.6V-1000mAH	24-hrs	90-min

## DIMENSIONS

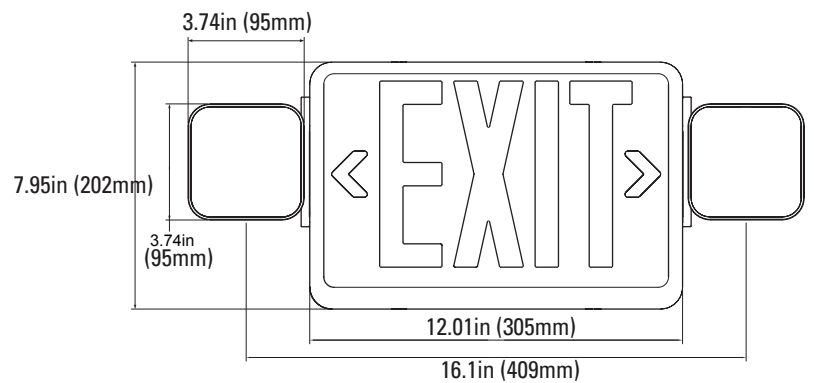
### 1W (EX)

Weight: 1.76-lbs

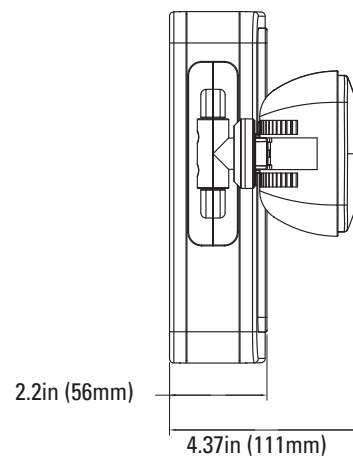
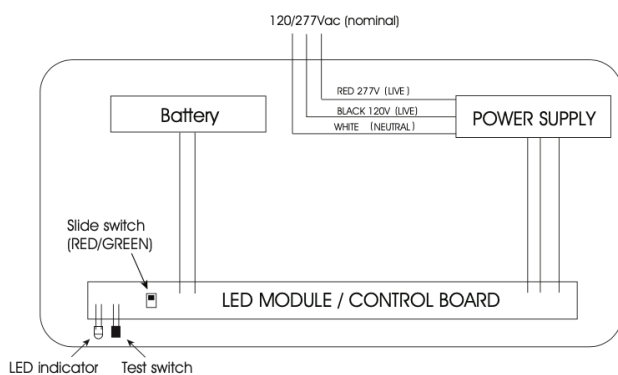


### 3.5W (EX)

Weight: 3.33-lbs



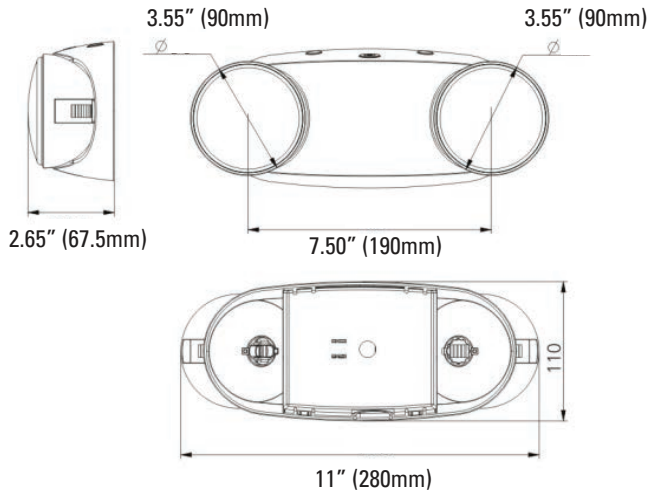
## WIRING



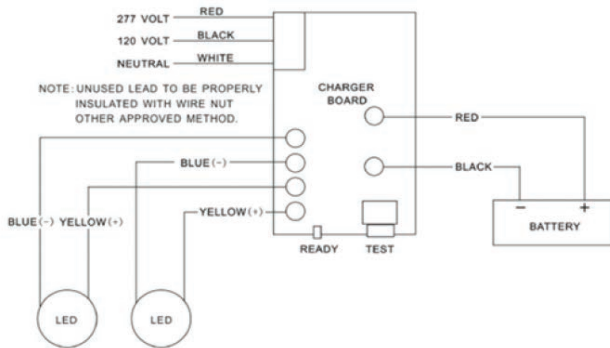
**DIMENSIONS**

**2W (EM)**

Weight: 1.00-lbs



**WIRING**



**PACKAGE**

**Case Qty**  
6 pcs

