

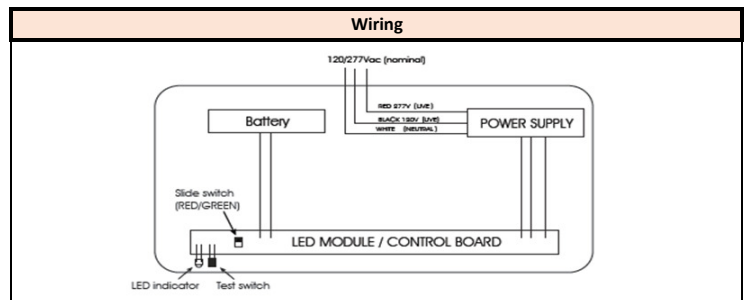
Version	V1.0	Date	7/29/2022
Prepared By			

PRODUCT SPECIFICATION		PICTURE
Category	EMERGENCY EXIT SIGN	
Item Number	7521	
Stock Code	LEDEX-GRN/RED-WH	
Mounting	wall mount /ceiling J-box mount	
Housing Color	White	

ELECTRICAL CHARACTERISTICS			
Rated Wattage (W)	1	Battery	1.2V 1000mAh Ni-MH Battery
Tested Wattage (W)	1		
Input Voltage (V)	120/277V		
Voltage Frequency (Hz)	50/60HZ		
Input Current (A)	0.09A(max)		
Charging Time	24 hrs		
Emergency Run Time	90 min		

PHOTOMETRIC CHARACTERISTICS			
Color	GREEN and RED		

GENERAL CHARACTERISTICS	
Operating Temperature (°F)	32F ~ 104F
Storage Temperature (°F)	32F ~ 104F
IP Rating	20 (indoor only)
Rated Life	50000hrs
Warranty	2 years
Material	thermoplastic ABS housing, UL 94V-0 flame rating



PRODUCT DIMENSIONS		
Length- in (mm)		295mm
Width- in (mm)		46mm
Height- in (mm)		182mm
Weight (lbs)	1.76	
Mounting Height (ft)		
Cable Length (ft)		

CERTIFICATIONS			
UL/ETL	UL, cUL		
FCC	✓		
RoHs	✓		

DOCUMENTS			

COMMENTS