

PWY PATHWAY

PROJECT: _____

SCHEDULE: _____ DATE: _____

PREPARE BY: _____

NOTES: _____

DESCRIPTION

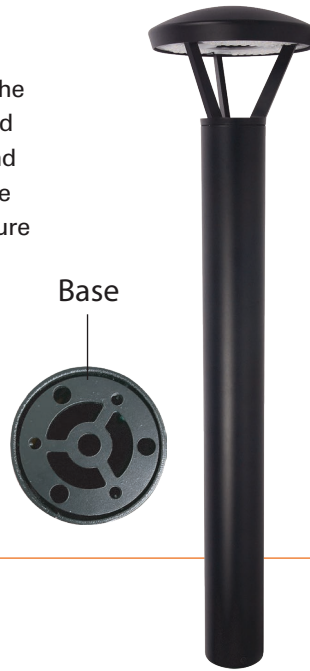
naturaLED® PWY bright pathway lighting is important for the safety of pedestrian foot traffic. Ensuring that sidewalks and pavement are well lit reduces the risk of people tripping and falling. The superior quality of our DLC pathway light fixture provides selectable wattage and selectable color temperature with glare-free lighting that produces up to 2160 lumens.

APPLICATIONS

Pathway, Architectural, Perimeter, Commercial

FEATURES

- DLC Premium
- IP65 Rated
- ETL/cETL Listed
- Selectable Wattage (10W/15W/18W)
- Color Temperature: 3CCT (3000/4000/5000K)
- Voltage: 120-347V
- Voltage Frequency (Hz): 50/60
- Powerfactor >0.9
- Surge Protection: 10KV
- Beam Angle: Type V
- Dimmable: 0-10V
- CRI: >80
- Operating temperature: - 40°F - 122°F
- Excellent thermal design
- Colors: Black, Bronze
- 5 Year Warranty
- Optional for purchase: Emergency Driver, IR Motion Sensor, Bluetooth Control



Rated Life 50,000 Hours
Warranty 5 Years

ACCESSORIES

-  4W Emergency Battery+Plate
-  IR Motion Sensor
-  Bluetooth Control

SAMPLE NUMBER FX10PWY18SW/42/8CCT3/BK/T5/347

FAMILY	DIAMETER	SERIES	WATTAGE	HEIGHT	CRI/COLOR TEMP	COLOR	LENS	VOLTAGE
FX	10	PWY	18SW	42	8CCT3	BK	T5	347
Fixture	10.5-inch	Pathway	18 Watt Selectable Wattage	42-inch Height	CRI 80 CCT3 - Selectable (3000/4000/5000K)	BK-Black BZ-Bronze	Type 5	120-347V



ORDERING

*P= Premium DLC / *S = Standard DLC

Watts (W)	Ordering Code	Description	CCT (K)	Lumens (Lm)	Equiv. Wattage (W)	Size	Color	IP65 Rated	DLC (P/S)
10	9642	FX10PWY18SW/42/8CCT3/BK/T5/347	3CCT	1,200	100	10.5"x42"	Black	●	P
15			(3/4/5K)	1,800					
18				2,160					
10	9225	FX10PWY18SW/42/8CCT3/BZ/T5/347	3CCT	1,200	100	10.5"x42"	Bronze	●	P
15			(3/4/5K)	1,800					
18				2,160					

ACCESSORIES (Ordered Separately)

Emergency Driver



K7336412 FXVTL30-BAEM-MTG1
(Kit for 4W Emergency Driver and Plate)

Bluetooth Control



P10489 CTL-MW-PSC-ZKV-R01T
(Z10 Receptable Tyco 2343403-1)



P10488 CTL-MW-PSC-ZKV-WCM-100-BLE-SR
(Bluetooth Outdoor Controller, 0-10V, 12-24Vdc, Z10 Brown)

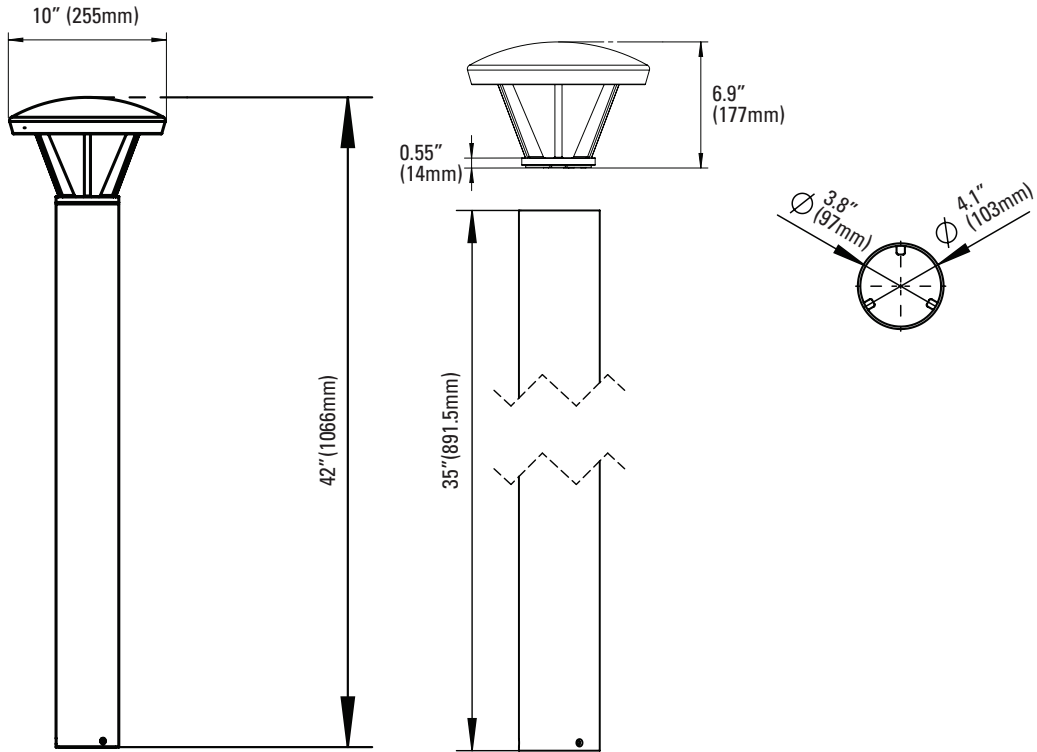
Motion Sensor



P10371 SEN-BRI619
(Remote Programmable PIR Motion/Photocell 0-10V
Bi Level Internal 12V-24V Low Voltage)

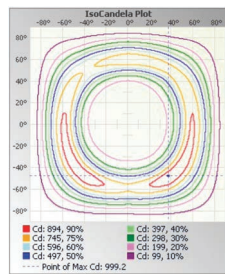
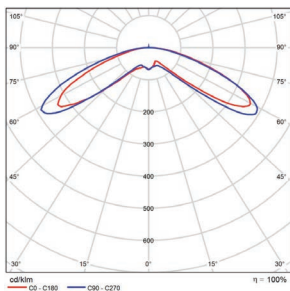
DIMENSIONS

10/15/18W (10.5-inch)
10.65-lbs



PHOTOMETRICS CHART

10/15/18W (10.5-inch)
DLC Premium



	Center Beam fc	Beam Width	
0.58R	477 fc	0.36 ft	0.64 ft
1.17R	117 fc	0.73 ft	1.30 ft
1.75R	52.4 fc	1.09 ft	1.94 ft
2.33R	29.6 fc	1.45 ft	2.58 ft
2.92R	18.8 fc	1.81 ft	3.23 ft
3.50R	13.1 fc	2.17 ft	3.87 ft

Vert. Spread: 34.5°
Horiz. Spread: 57.9°

PACKAGE

Case Qty
1 pc

