

Installation Instructions

Ironclad® GDA™ - General Duty Area Lighting Fixture

Recommend Two-Person Installation

TOOLS/ MATERIALS NEEDED:

- Hammer drill
- 1/4" concrete bit for spike anchors
- 3/8" concrete bit for tamper-proof bolts
- Hammer (highly recommend using optional Spike Driver Installation tool in place of actual hammer)
- Setting tool for tamper-proof bolt anchors

IMPORTANT: READ CAREFULLY BEFORE INSTALLING FIXTURE. RETAIN THESE INSTRUCTIONS FOR FUTURE REFERENCE.

Must be wired in accordance with the National Electrical Code and all applicable local codes.

THIS PRODUCT MUST BE INSTALLED IN ACCORDANCE WITH THE APPLICABLE INSTALLATION CODE BY A PERSON FAMILIAR WITH THE CONSTRUCTION AND OPERATION OF THE PRODUCT AND THE HAZARDS INVOLVED.

Intended for non-combustible surfaces only.

WARNING: Make certain power is OFF before installing or maintaining fixture.
No user serviceable parts inside. Cannot be upgraded or re-used after life of fixture.

CONTENTS

- Ironclad® GDA™ Assembled LED fixture

Not included but recommended for installation:

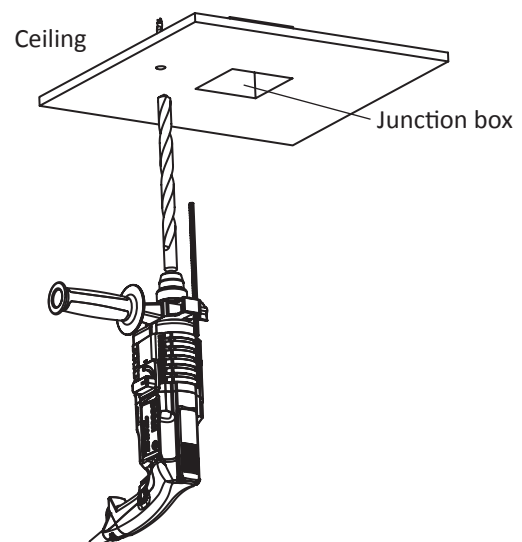
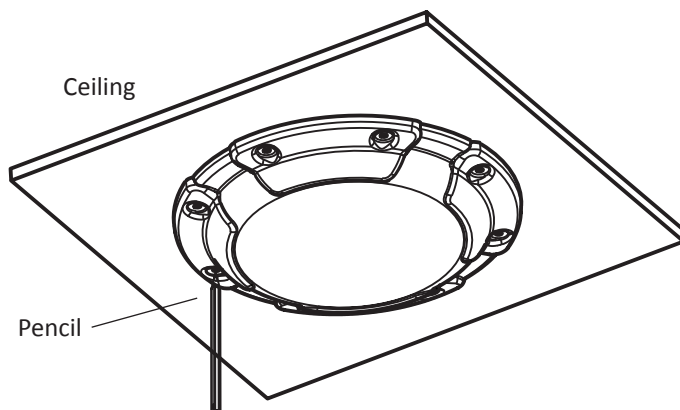
- Hammer Drill Spike Driver Installation Tool
- 1/4" concrete bit for spike anchors
- 3/8" concrete bit for tamper-proof bolts

OPTIONAL installation hardware

- (9) Spike concrete anchors (*one spare*)
- Tamper proof Torx 20 bolts
- Drop-in 1/4" x20 anchors
- Anchor setting tool

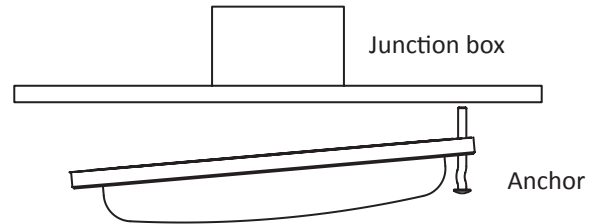
MOUNTING FIXTURE TO CEILING, USING SPIKE ANCHORS

1. Turn power OFF.
2. Place and center fixture up to junction box in ceiling.
3. Mark any hole position in the fixture on the ceiling using a pencil.
4. Move fixture and drill hole at marked location using a hammer drill and 1/4" concrete bit.
For spike anchors, drill hole 2" deep and remove any dust in hole.
For drop in anchors, drill 3/8" hole, minimum 1" deep



INSTALLATION USING SPIKE ANCHORS:

1. Position fixture back on ceiling and drive one spike anchor through the fixture hole and into the drilled ceiling hole.
Critical: Pound anchor (about ½") into ceiling just enough to hold fixture up
2. Ensure that power is OFF
3. Proceed to wiring instructions.



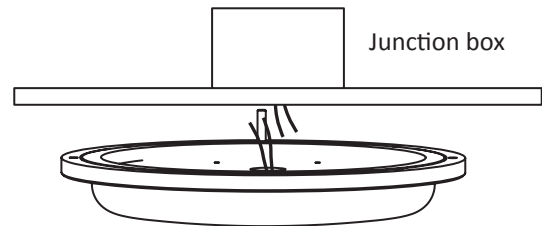
INSTALLATION USING TORX TAMPER PROOF BOLTS:

1. Set drop-in anchor with setting tool.
2. Position fixture back on ceiling, centered over junction box and attach fixture using 1/4" x 20 torx bolt.
3. Mark the remaining holes and remove fixture from ceiling.
4. Drill all marked remaining holes, same as Step 1.
5. Set remaining (7) anchors with setting tool.
6. Ensure that power is OFF.
7. Proceed to wiring instructions.

WIRING INSTRUCTIONS:

Make wire connections using approved NEC code connectors.

1. Connect white wire from fixture to white neutral in junction box and connect black wire to black hot wire in junction box. Ground fixture using green wire.
Critical: Turn power ON and test fixture with wall switch to make sure fixture is working before completing installation.
2. After confirming fixture powers on, position fixture centered in ceiling junction box and tuck all wires into junction box.
3. Peel brown back liner off of circular gasket on the back of fixture



If using spike anchors

1. Drive the pre-installed spike anchor all the way to secure the fixture up to the ceiling.
2. Drill next hole across from installed spike anchor or bolt and repeat tightening process.
3. Continue drilling remaining 6 holes.
4. Drive all spike anchors or bolts securely.

If using tamper-proof bolts

1. Place fixture up to pre-installed anchors and to proceed to secure fixture to ceiling using the (8) tamper-proof bolts

Spike anchor installation

