

## Installation Instructions

### Ironclad® Linear Pro Correctional Fixture

#### Two-Person Installation

##### TOOLS/ MATERIALS NEEDED:

- Hammer drill & 1/4" concrete bit for spike anchors, 3/8" concrete bit for tamper-proof bolts
- Hammer (highly recommend using optional Spike Driver Installation tool in place of actual hammer)
- Setting tool for tamper-proof bolt anchors

##### **IMPORTANT: READ CAREFULLY BEFORE INSTALLING FIXTURE. RETAIN THESE INSTRUCTIONS FOR FUTURE REFERENCE.**

Must be wired in accordance with the National Electrical Code and all applicable local codes.

THIS PRODUCT MUST BE INSTALLED IN ACCORDANCE WITH THE APPLICABLE INSTALLATION CODE BY A PERSON FAMILIAR WITH THE CONSTRUCTION AND OPERATION OF THE PRODUCT AND THE HAZARDS INVOLVED.

**WARNING:** Make certain power is OFF before installing or maintaining fixture.

No user serviceable parts inside. Cannot be upgraded or re-used after life of fixture.

##### CONTENTS

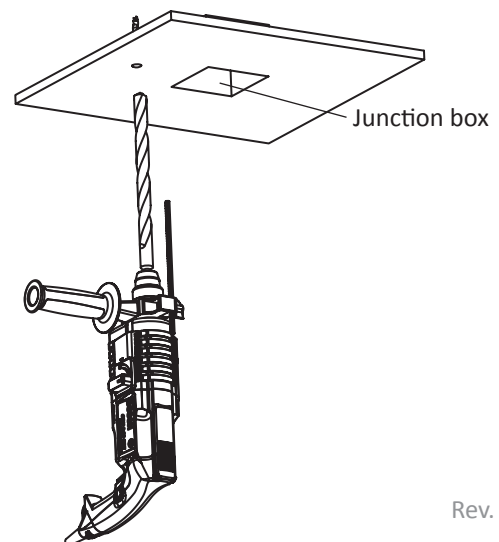
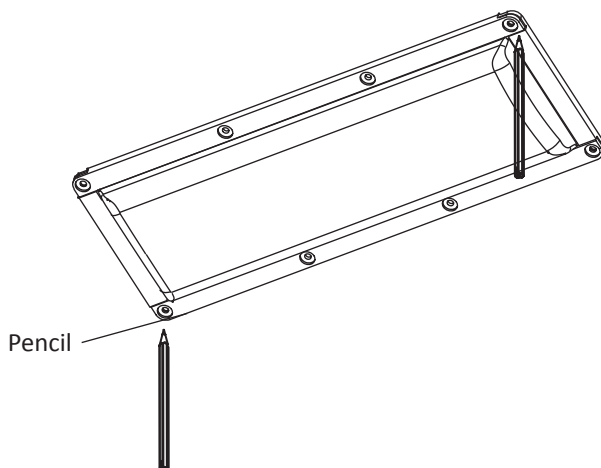
- Ironclad® Linear Pro Assembled LED fixture

*Not included but recommended for installation of spike anchors:*

- Hammer Drill Spike Driver Installation Tool
- (9) Spike concrete anchors or Tamper-proof bolts
- 1/4" concrete bit for spike anchors
- 3/8" concrete bit for tamper-proof bolts
- Anchor setting tool
- Pick Proof Caulking

##### MOUNTING FIXTURE

1. Turn power OFF.
2. Place fixture up to junction box lining up the wires to the center of the jbox.
3. Mark 2 hole positions as shown using a pencil or marking device. For drop in anchors, mark **ALL** 8 hole positions.
4. Move fixture away from marked spots.
5. For spike anchors, drill (2) holes at marked locations using a hammer drill and 1/4" concrete bit. Drill holes, 2" deep for 2" anchors and 1.5" deep for 1-1/2" anchors and removed any dust in hole.
6. For drop in anchors, drill (ALL) 3/8" holes 1" deep and set anchors into mounting surface with setting tool.



7. While one person is holding the fixture, the other person make the wire connections. See wiring instructions below.
8. **Critical: Turn power ON and test fixture with wall switch to make sure fixture is working before completing installation.**  
***(If unit is equipped with touch bolt option, cycle light on/off with touch bolt.)***
9. After confirming fixture powers on, **turn power off**, then position fixture up to mounting surface and lining up the two previously drilled holes, tuck all wires into junction box.
10. While one person holds the fixture to the mounting surface, the other person drive two spike anchors or tamper-proof bolts to secure the fixture to the ceiling.
11. Continue drilling remaining 6 holes for spike anchors and set anchors into mounting surface with setting tool.
12. Drive all spike anchors or bolts securely.
13. Add a bead of pick proof caulking around the perimeter of the fixture to eliminate any gaps.

**WIRING INSTRUCTIONS (unit with night light):** *Make wire connections using approved NEC code connectors.*

1. If there are two sets of wires in the junction box for independent switches on the wall to control the main light and night light separately; connect the (non-labeled) white and black wires from the fixture to the matching white and black wires in the junction box. Connect the night light white and black wires from the fixture (marked with labels) to the other set of white and black wires in the junction box. Connect the green wire to ground.
2. If only one set of power wires are present, connect the white wires from the fixture to the white neutral wire in the junction box and connect the black wires from the fixture to the black hot wire in the junction box. Connect the green wire to ground.

**WIRING INSTRUCTIONS (unit without night light):** *Make wire connections using approved NEC code connectors.*

1. Connect the white wire from the fixture to the white neutral wire in the junction box and connect the black wire from the fixture to the black hot wire in the junction box. Connect the green wire to ground.