



T8 Type B



INSTALLATION INSTRUCTIONS LED T8 Linear tube

IMPORTANT

- Before installing lamp, read all instructions and retain for future reference. The important instructions and safeguards that appear in this document are not inclusive of all possible conditions and situations that may occur. It must be understood that common sense, caution, and care are factors that cannot be built into a product. These factors must be supplied by those that care and operate the fixture.
- For additional information required and not covered in this document please contact a local representative.

Safety Precautions

- **Risk of electric shock or fire!**
- Do not expose directly to water or submerge lamp.
- For use in dry or damp locations only.
- Ensure power is OFF at the electrical panel before starting installation or maintenance.
- Verify site supply and voltage matches to the product being installed.
- Ensure wiring connections are not exposed during operation.
- Modifications to the product will void warranty.
- Only use in place of fluorescent lamps.
- Do not place any objects on the lamp.
- Ensure lamp is kept away from flame or other high temperature objects.
- If lamp does not light when then luminaire is energized, remove lamp from the luminaire and contact the lamp manufacturer or qualified electrician.
- If the lamp or the luminaire exhibits undesirable operation (buzzing, flickering, etc.), immediately turn off the power, remove the lamp from the luminaire and contact the manufacturer or qualified electrician.
- Do not disconnect existing wires from lamp holder terminals to make new connections.
- For single ended installation (if applicable) do not use with use this lamp with shunted lampholders. Note: Shunted lamp holders are found only in fluorescent luminaires with instant-start ballasts. Instant-start ballasts can be identified by the words "Instant Start" or "I.S." marked on the ballast.
- Not suitable for use as an emergency luminaire (except approved EiKO models, EEB08WHA170S, EEB18WHA170S, EMB-CP-5WVT-U
- Ambient temperature range under normal operation not to exceed -4°F to 113°F (-20°C to 45°C).
- Only use with dimmers that are specified to work with this lamp. This lamp will not operate properly when connected to a standard (incandescent) dimmer or dimming control. For more information to what dimmers are compatible please contact the manufacturer or visit eiko.com.
- This lamp is intended for operation in luminaires with traditional fluorescent-type lamp holders wired directly to the branch circuit. This includes both factory-wired luminaires as well as those converted for this purpose under a retrofit program.
- Wiring must be in accordance with the National Electrical Code and all applicable local electrical safety regulations.
- The lamps are intended to retrofit surface mount or recessed mounted fluorescent luminaires. The minimum lamp compartment dimensions are in the table below with a maximum of 4 lamps:



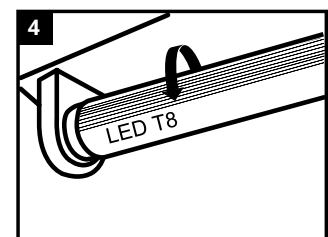
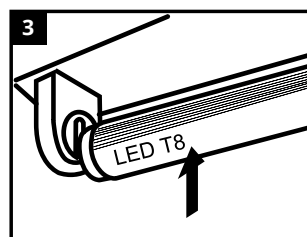
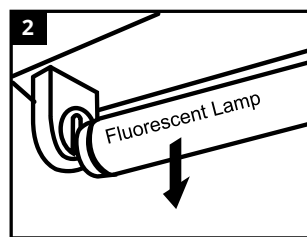
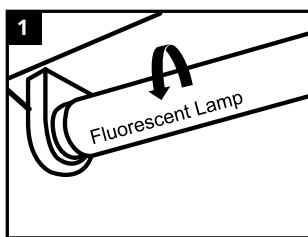
Luminaire Dimension (LxWxH)	Max Number of Tubes
48.4" x 23.82" x 3.2" (123cm x 60.5cm x 8cm)	4 x 48"
24" x 22.4" x 3" (61cm x 57cm x 7.6cm)	4 x 24"
36.2" x 22.4" x 3" (92cm x 57cm x 7.6cm)	4 x 36"
23.6" x 22.4" x 3" (60cm x 57cm x 7.6cm)	2 x U-Bend

- This retrofit kit is accepted as a component of a luminaire where the suitability of the combination shall be determined by authorities having jurisdiction.
- This device complies with Part 15 of the FCC Rules. Operation is subject to the following two conditions: (1) This device may not cause harmful interference, and (2) This device must accept any interference received, including interference that may cause undesired operation.

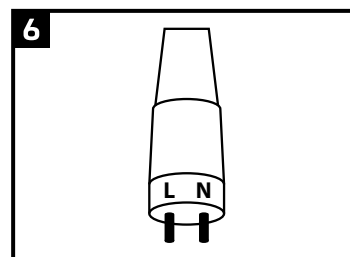
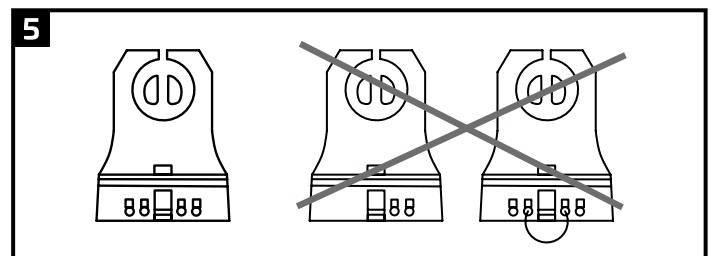
Maintenance

- Disconnect lamp from power supply before any maintenance.
- Clean lamp with a dry cloth only.
- Do not clean the lamp with corrosive chemicals.

Installation



1. Inspect lamp before installation. If any damage do not install.
2. Turn off power at breaker before installation. Fig. 1
3. Remove lens of diffuser (if applicable).
4. Remove existing lamps from the luminaire. Fig 2.
5. Remove ballast cover (if applicable).
6. Dispose of existing lamps in accordance with government regulations in your area.
7. Wire lamp in accordance with the wiring diagram below depending on amount of lamps installing. Note: For single end install identify the line and neutral wires.
 - a. Cut all wire connected to the ballast and dispose of ballast in accordance with government regulations in your area.
 - b. If applicable, replace lamp holders at power end with non-shunted lamp holders. Fig 5.
 - c. Install lamp with the L and N markings into the wired lamp holder end. Fig 6.
8. Rotate the LED lamp until the lamp locks into place. Ensure that the LED lamp front points away from the back of the luminaire. Fig 3.
9. Place lens or diffuser back in place (if applicable).
10. After modification is completed attach the replacement markings and cautionary label to a visible place on the luminaire.
11. Turn power back on. Fig 4.

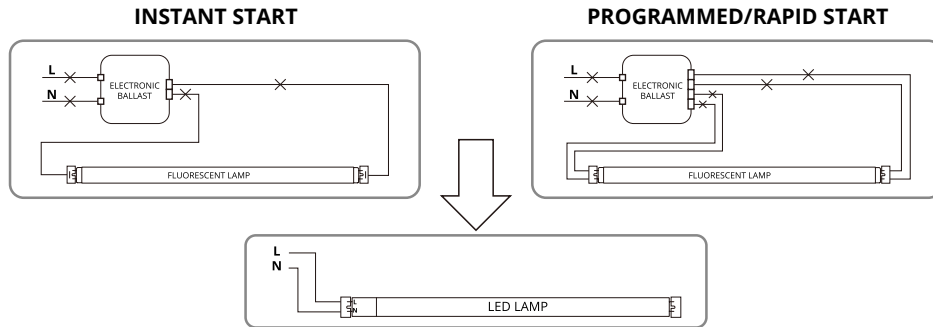


Single-Ended Wiring Instructions

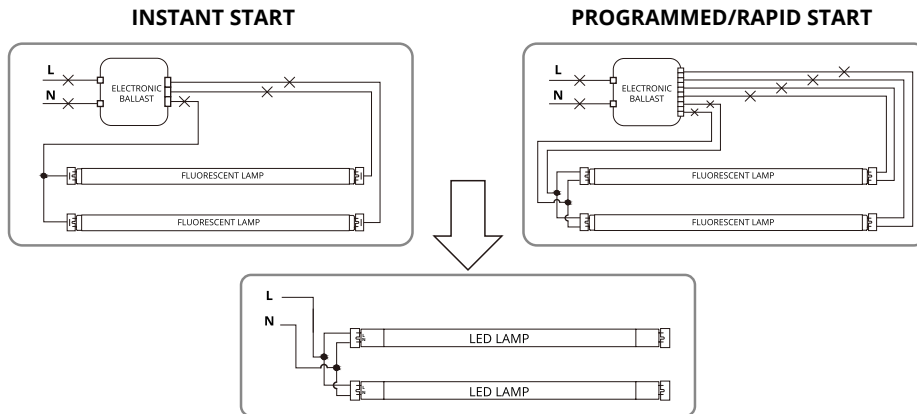
ALWAYS TURN OFF POWER SUPPLY FROM MAIN CIRCUIT BREAKER FIRST!

The below ballast wiring represents a typical configuration. The actual ballast wiring varies according to ballast model. The socket should be non-shunted.

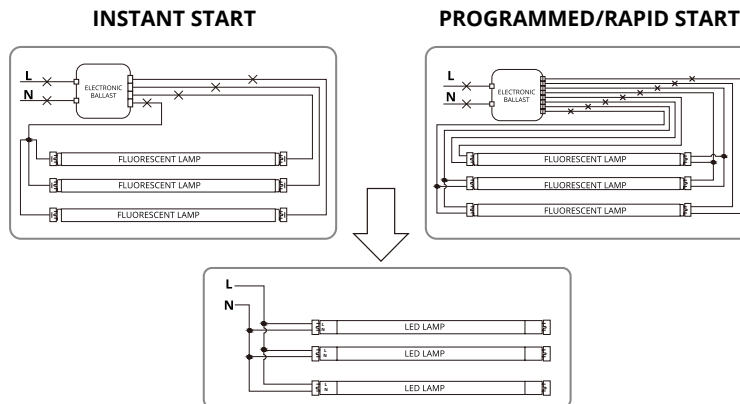
Retrofit Luminaire with 1 Lamp:



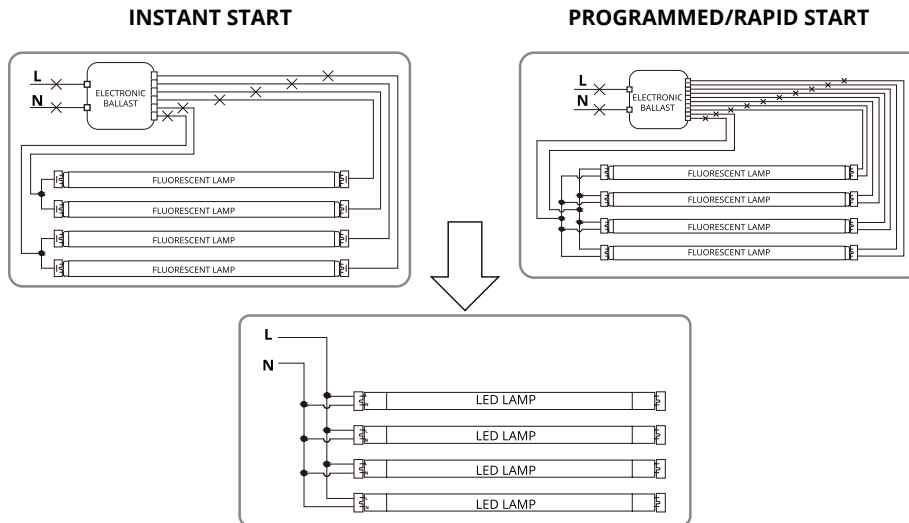
Retrofit Luminaire with 2 Lamps:



Retrofit Luminaire with 3 Lamps:



Retrofit Luminaire with 4 Lamps:

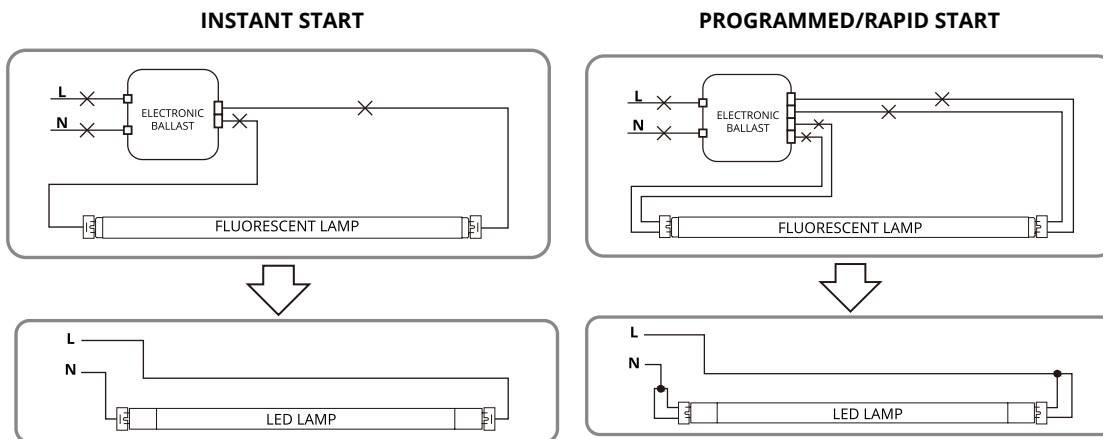


Double-Ended Wiring Instructions

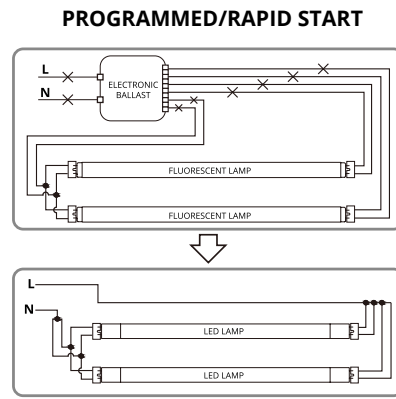
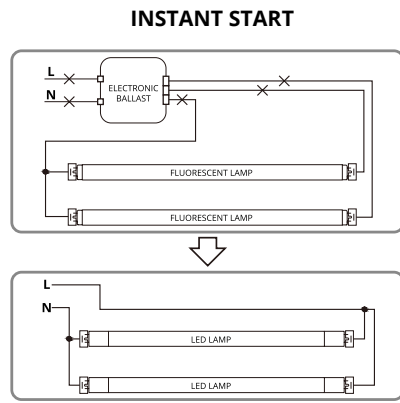
ALWAYS TURN OFF POWER SUPPLY FROM MAIN CIRCUIT BREAKER FIRST!

The below ballast wiring represents a typical configuration. The actual ballast wiring varies according to ballast model. It's unnecessary to change the socket (if in good condition) to operate double-ended lamps, regardless of the socket type. Make sure one side of the fixture is connected to live (L) and the other side is connected to neutral (N).

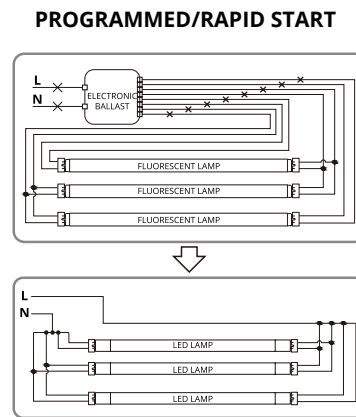
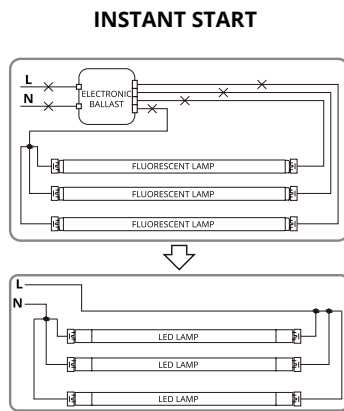
Retrofit Luminaire with 1 Lamp:



Retrofit Luminaire with 2 Lamps:



Retrofit Luminaire with 3 Lamps:



Retrofit Luminaire with 4 Lamps:

