

REL

Edge Lit Recessed LED Downlight

Product Description

The REL Single CCT Edge Lit Downlight offers an attractive aesthetic with a low profile. The edge-lit technology makes it a practical solution with high performance. Adjustable spring-loaded retention tabs allow a secure fit and easy installation. Perfect for adding light in tight spaces such as hallways, bathrooms, basements, and utility closets.

Construction

- Cast aluminum housing routes heat away from electrical components
- Edge-Lit technology allows for extremely thin fixture depth
- Adjustable, spring loaded retention tabs ensure secure fixture retention
- Off-board driver minimizes installation height and maximizes fixture life through improved heat management

Optical System

- Precision engineered optical stack creates uniform light distribution that maximizes lumen output
- Utilizes high performing LEDs with 90+ CRI and an R9 > 50
- CCTs offered at 2700K, 3000K, 4000K, or 5000K

Electrical

- Input voltage of 120VAC
- Dimmable to 5% with compatible leading edge (TRIAC) or trailing edge (ELV) dimmers
- Operating temperature rating of -4°F to 104°F (-20°C to 40°C)

Finish

- White powder coat finish standard
- Color trims available in Black, Nickel or Oil Rubbed Bronze

Mounting and Installation

- Spring loaded retention tabs allow for easy installation into ceilings up to 3/4" thick with no need for a recessed housing
- Off-board driver/junction box includes three 1/2" KOs and three-port poke-in connectors
- Included paper cutting template
- Accessory metal rough-in template and frames available
- Accessory extension power cables (2' & 10') available
- For installations where power surge may be possible, NICOR recommends installing additional surge protection at the electrical distribution panel

Listings

- cETLus 1598 Classified for wet locations
- ENERGYSTAR listed
- CA Title 24 Compliant
- Certified for direct contact with insulation (IC)
- Meets Air Tight requirements per ASTM E283
- Compliant with NFPA® 70, NEC® Section 410.16 (A)(3) and 410.16 (C)(5) for closet use
- RoHS Compliant
- Meets FCC Part 15, Subpart B, Class B standards for conducted and radiated emissions
- LED lumen maintenance: L70(9k)>54,000 hrs
- LM-79, LM-80 testing performed in accordance with IESNA standards

Warranty

- 5-year limited system warranty standard
- Warranty does not cover product failure due to an overvoltage event (power surge)

Project

Catalog

Type

Date



REL 4", 6" and 8" Edgelit LED Downlight 650, 900, 1200 lumen



(except 5000K)

Ordering

Ordering Information

Example : REL611203KRDWH

Series	Version	Voltage	CCT's	Trim Shape	Trim Color
REL4	1	120	2K (2700K)	RD (Round)	WH (White)
REL6			3K (3000K)		
REL8			4K (4000K)		
			5K (5000K)		

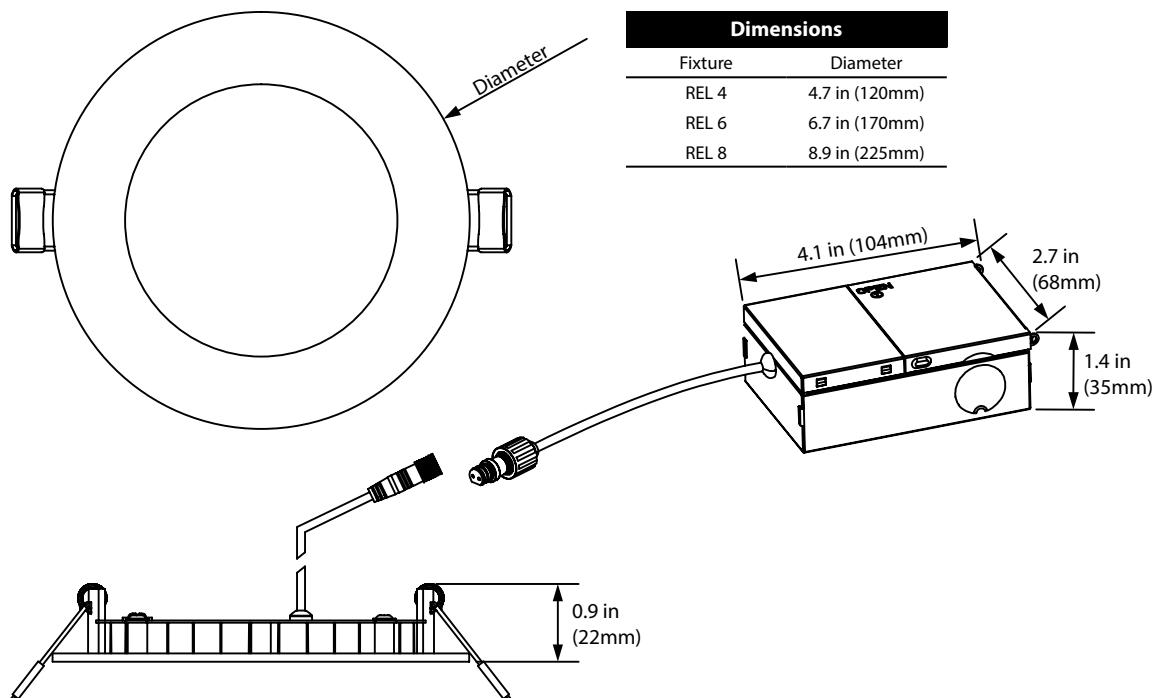
Specifications and dimensions subject to change without notice

Accessories

accessories sold separately

4" Black Trim Ring	REL4-1-TR-RD-BK
4" Brushed Nickel Trim Ring	REL4-1-TR-RD-NK
4" Oil-Rubbed Bronze Trim Ring	REL4-1-TR-RD-OB
6" Black Trim Ring	REL6-1-TR-RD-BK
6" Brushed Nickel Trim Ring	REL6-1-TR-RD-NK
6" Oil-Rubbed Bronze Trim Ring	REL6-1-TR-RD-OB
8" Black Trim Ring	REL8-1-TR-RD-BK
8" Brushed Nickel Trim Ring	REL8-1-TR-RD-NK
8" Oil-Rubbed Bronze Trim Ring	REL8-1-TR-RD-OB
2' Extension Cable for REL	REL-EXTCABLE-02
10' Extension Cable for REL	REL-EXTCABLE-10
Frame for 3", 4", 6" remote driver fixtures	MULTIFRAME-346-1
4" Rough In Flat Template	ROUGHIN-TEMPLATE2-4
6" Rough In Flat Template	ROUGHIN-TEMPLATE2-6
8" Rough In Flat Template	ROUGHIN-TEMPLATE2-8

Dimensions

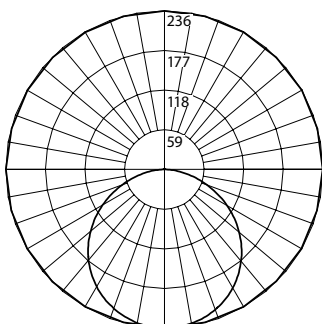


Dimensions	
Fixture	Diameter
REL 4	4.7 in (120mm)
REL 6	6.7 in (170mm)
REL 8	8.9 in (225mm)

Photometric Data

REL4

Input Voltage (VAC)	120
System Level Power (W)	10.3
Delivered Lumens (Lm)	666
System Efficacy (Lm/W)	64.7
Correlated Color Temp (K)	2694
Color Rendering Index (CRI)	93, R9>50
Beam Angle	110.5
Spacing Criteria	1.25



Intensity Summary (Candle Power)

Angle	Mean CP
0	310
5	308
15	298
25	277
35	247
45	209
55	164
65	115
75	65
85	19
90	0

Cone of Light Tabulation

Mounted height (Feet)	Footcandles Beam Center	Diameter (Feet)
4	14.7	11.5
6	6.6	17.3
8	3.7	23.1
10	2.4	28.8

Zonal Lumen Summary

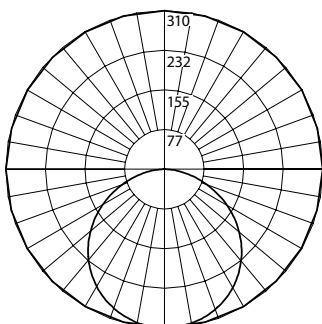
Zone	Lumens	% of Luminaire
0-30	182	27.3%
0-40	297	44.5%
0-60	521	78.2%
0-90	666	100%
90-180	0	0%
0-180	666	100%

CCT Data Multiplier

3000K	1.021
4000K	1.042
5000K	1.076

REL6

Input Voltage (VAC)	120
System Level Power (W)	11.8
Delivered Lumens (Lm)	902
System Efficacy (Lm/W)	76.4
Correlated Color Temp (K)	2728
Color Rendering Index (CRI)	93, R9>50
Beam Angle	113.3
Spacing Criteria	1.28



Intensity Summary (Candle Power)

Angle	Mean CP
0	310
5	308
15	298
25	277
35	247
45	209
55	164
65	115
75	65
85	19
90	0

Cone of Light Tabulation

Mounted height (Feet)	Footcandles Beam Center	Diameter (Feet)
4	19.3	12.2
6	8.6	18.2
8	4.8	24.3
10	3.1	30.4

Zonal Lumen Summary

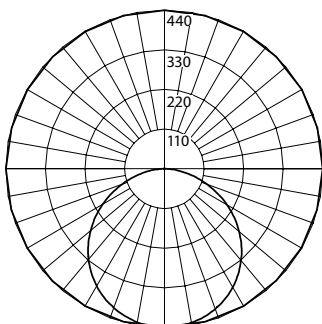
Zone	Lumens	% of Luminaire
0-30	241	26.7%
0-40	395	43.7%
0-60	700	77.6%
0-90	902	100%
90-180	0	0%
0-180	902	100%

CCT Data Multiplier

3000K	1.021
4000K	1.042
5000K	1.076

REL8

Input Voltage (VAC)	120
System Level Power (W)	17.9
Delivered Lumens (Lm)	1279
System Efficacy (Lm/W)	71.5
Correlated Color Temp (K)	2722
Color Rendering Index (CRI)	93, R9>50
Beam Angle	110.5
Spacing Criteria	1.28



Intensity Summary (Candle Power)

Angle	Mean CP
0	439
5	437
15	423
25	395
35	353
45	299
55	233
65	160
75	86
85	22
90	0

Cone of Light Tabulation

Mounted height (Feet)	Footcandles Beam Center	Diameter (Feet)
4	27.4	11.5
6	12.2	17.3
8	6.8	23.1
10	4.4	28.8

Zonal Lumen Summary

Zone	Lumens	% of Luminaire
0-30	343	26.8%
0-40	563	44%
0-60	1001	78.3%
0-90	1279	100%
90-180	0	0%
0-180	1279	100%

CCT Data Multiplier

3000K	1.021
4000K	1.042
5000K	1.076

Fixture tested per LM-79-08. Photometric data is of the performance of a representative fixture. Results may vary in the field.

Performance Data and Dimming

Performance Data			
Model Number	Lumens	Watts	Lumens/Watt
REL411202KRDWH	666		64.7
REL411203KRDWH	680	10.3	66.0
REL411204KRDWH	694		67.4
REL411205KRDWH	717		69.6
REL611202KRDWH	902		76.4
REL611203KRDWH	921	11.8	78.0
REL611204KRDWH	940		79.7
REL611205KRDWH	971		82.3
REL811202KRDWH	1279		71.5
REL811203KRDWH	1306	17.9	73.0
REL811204KRDWH	1333		74.5
REL811205KRDWH	1376		76.9

Recommended Dimmers*
Lutron Skylark SELV-300P
Lutron Skylark SCL-153P
Lutron Skylark CT-603PG
Lutron DIVA DVELV-300P
Lutron MAELV-600
Lutron PD-10NXD

*Not a complete list. Check compatibility before installation.

This device complies with part 15 of the FCC Rules. Operation is subject to the following two conditions: (1) This device may not cause harmful interference, and (2) this device must accept any interference received, including interference that may cause undesired operation.

NOTE: This equipment has been tested and found to comply with the limits for a Class B digital device, pursuant to part 15 of the FCC Rules. These limits are designed to provide reasonable protection against harmful interference in a residential installation. This equipment generates, uses and can radiate radio frequency energy and, if not installed and used in accordance with the instructions, may cause harmful interference to radio communications. However, there is no guarantee that interference will not occur in a particular installation. If this equipment does cause harmful interference to radio or television reception, which can be determined by turning the equipment off and on, the user is encouraged to try to correct the interference by one or more of the following measures:

- Reorient or relocate the receiving antenna.
- Increase the separation between the equipment and receiver.
- Connect the equipment into an outlet on a circuit different from that to which the receiver is connected.
- Consult the dealer or an experienced radio/TV technician for help.