

# AWP Series LED Wall Pack Luminaire



## Baseplate Mounting Orientation Options



### Full Cut-Off Orientation:

Baseplate is positioned with large side up.

Glass is parallel with the ground.

Light is directed down and forward with zero light emitted above the horizon.

### Forward Throw Orientation:

Baseplate is positioned with large side down.

Glass is tilted back to project light farther forward.

## Product Highlights

- Unique Flexpack™ design
- Adjustable color temperature and wattage
- Slim, compact housing
- 10 Year Warranty

### Jarvis AWP Series

Converts between a forward throw and a dark sky wall pack

Can be switched after install between forward throw and dark sky if site requirements change

UV-resistant powdercoat finish avoids fading and flaking

Conduit knockouts on all four sides and rear

Slim, compact design

### Competitors' Products

Only functions as one or the other

Cannot be switched - incorrect light fixtures must be replaced

Powdercoat may fade or flake

Conduit knockouts on two or three sides and rear

Large, bulky design

## Ordering Guide

Example: AWP-3ML6-30K/40K/50K-UV-BRZ

Product Family	Lumen Output	CCT	Voltage	Housing Color	Factory Installed Accessories
AWP - Compact FlexPack	3ML6 - 3,213/5,075/ <b>6,677</b> Lumens Adjustable	30K/40K/50K - 3000K/ <b>4000K</b> /5000K Adjustable CCT	UV - 120-277V	BRZ- Bronze	+ A299 - 120-277V Button Photocell + A300 - 120V Button Photocell

Variants in blue are typically quick ship items. Variants in white are typically special order with longer lead time.

## Additional Field Installed Accessories:

Catalog #	Description
A301	120-277V Heavy Duty Stem Photocell

## Electrical

**Input Voltage:** 120-277V 50/60Hz

**Power Factor:** >.9 at full load

**Total Harmonic Distortion:** <20% full load

Includes over voltage protection, over current protection, and short circuit protection

**Operating Temperature Range:** -40°C to 40° C Ambient (-40°F to 104°F)

## Controls and Dimming

0-10V dimming leads are default on all AWP models.

The AWP series is compatible with Jarvis Lighting's PhotoMotion™ sensors. PhotoMotion™ sensors provide multi-level control based on both motion and/or ambient natural lighting levels and can be custom programmed via remote control.

The AWP series is compatible with many other photosensors and motion sensor systems.

Contact a Jarvis Lighting representative for more information.



AWP-3L Dark Sky Orientation

## DLC Product ID and Specifications:

Catalog #	DLC Product ID	Input	Power	Lumens	CCT	CRI	PF
AWP-3ML6-30K/40K/50K-UV-BRZ	Pending	120-277V 50/60Hz	20W / 34W / <b>45W</b>	3,390 lm / 3,213 lm / <b>6,677 lm</b>	3000K / <b>4000K</b> / 5000K	≥ 70	≥ 0.9

Factory default setting listed in bold



## Construction and Materials

Die-cast aluminum housing cast from 383 (ADC12) alloy.

Die-cast housing features a powdercoat finish with UV protection to ensure longevity of color. Powdercoat finish is applied directly to aluminum housing and will not crack or peel. Default color is bronze. Custom colors are available. Contact factory for additional color information.

LEDs are reflow soldered to a metal core circuit board, providing greater thermal transfer than standard circuit board materials.

4KV surge protector is standard in power supply compartment.

Specific wattage and CCT settings can be selected via dip-switch inside the power supply compartment.

Lens construction is tempered glass.

Luminaire's construction contains zero mercury.

Fasteners are stainless-steel and will not rust or create rust-streaks.

## Regulatory and Voluntary Qualifications

UL listed to UL1598 and UL8750 for both US and Canada.

State of California Title 24 Compliant when installed in accordance with local requirements.

DesignLights Consortium® (DLC) Premium qualified product. Not all versions of this product may be DLC qualified. Please check the DLC Qualified Products List at [www.designlights.org/QPL](http://www.designlights.org/QPL) to confirm which versions are qualified.

Rated for Wet and Dry Locations.

## Warranty and Lifetime

AWP Series carries a 10-year warranty. Contact Jarvis representative for details.

Projected LED lifetime exceeds 54,000 hours under most operating conditions. Lifetime projections are calculated using data including LM-79, LM-80 and TM-21 calculations. Contact Jarvis representative for details.

## Installation

Luminaire installs onto wall by mounting the luminaire's baseplate to the wall. Wall materials and mounting conditions vary by structure and project – contact factory for suggesting which fasteners are optimal. Baseplate should be mounted with the larger side on the top to install luminaire in the full cut-off orientation or with the larger side on the bottom to install luminaire in the forward-throw orientation. Electrical connections can be brought into the luminaire either through the threaded ½" NPS knock-outs (located on the sides, top and bottom of the fixtures baseplate) or by mounting the luminaire over a recessed junction box. Front section of luminaire contains power supply, LEDs, optics, and wattage/CCT selector dip-switch. Front section connects to baseplate via cast-in hooks and fasteners. Installation conditions often require sealing of fixture penetrations created during installation.

Contact a Jarvis representative for full installation instructions, videos or additional information.



## Mounting Height Recommendations

Model	Dark-Sky Orientation	Forward-Throw Orientation
AWP-3ML6	8 to 15' from ground	10 to 15' from ground

## Retrofit Applications

Conduit entrance locations on the AWP series line up with many common existing wall packs. The AWP Series features a compact design which installs easily when replacing existing HID or other fixtures. Contact a Jarvis representative for more info and for advice regarding specific applications.

## Photometrics

Photometric information, including LM-79 reports and .IES files are available for most models at [www.jarvislighting.com](http://www.jarvislighting.com). Site photometrics and lighting layouts are available. Contact a Jarvis representative.

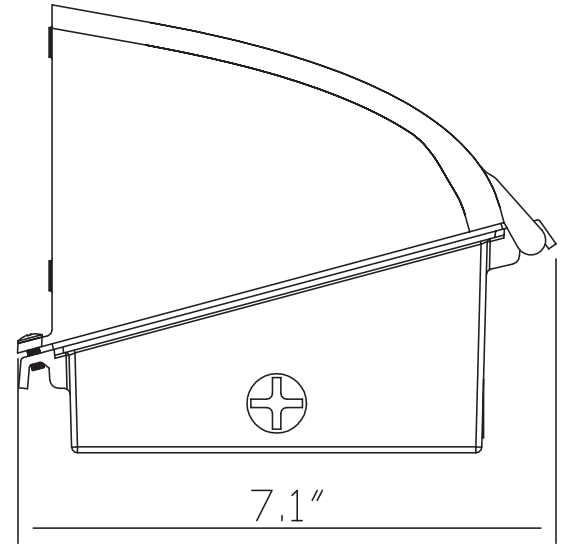
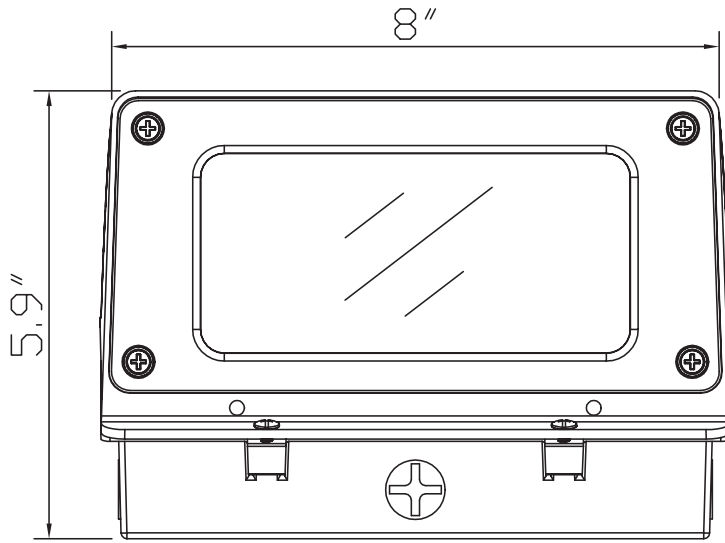
## Product Weight:

Part Number:	Net Weight
AWP-3ML6	4.6lbs

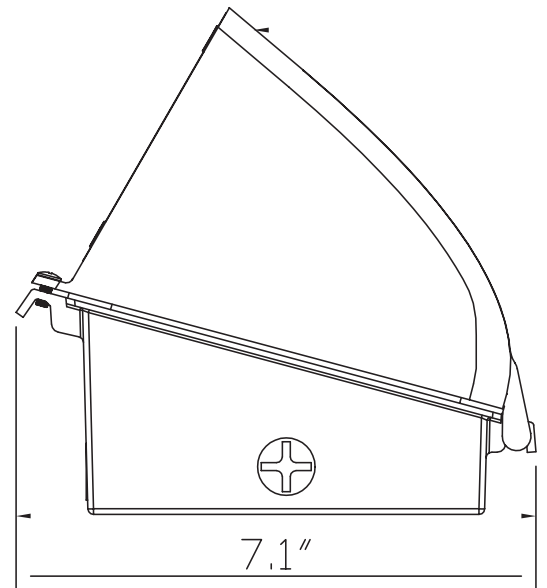
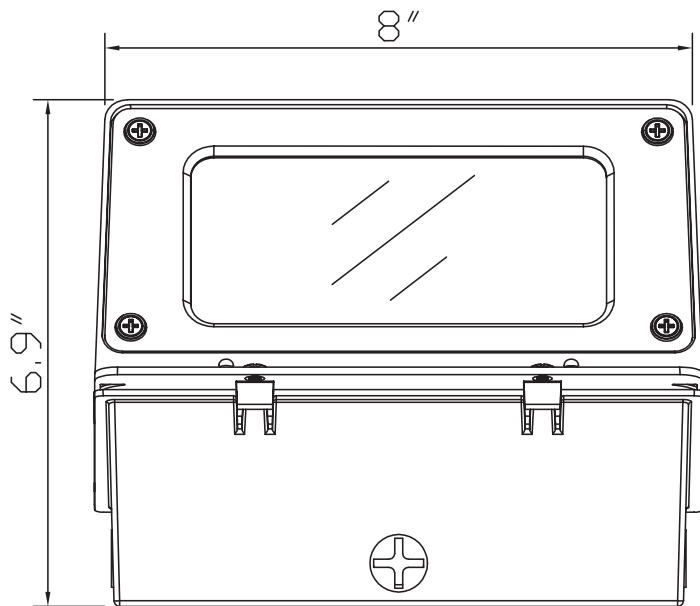
# Dimensions:



*AWP Dark Sky Orientation*



*AWP Forward Throw*



**BRIGHT DONE RIGHT™**

