



Type IC & Air-Tight



DESCRIPTION

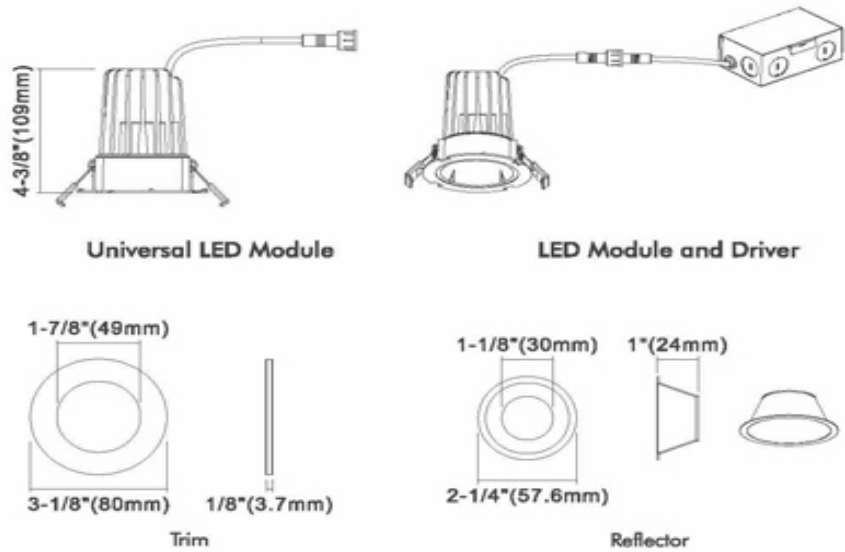
2" Recessed LED With Integral Driver In Connection Box
Interchangeable Reflectors, Trims & Lens Available

FEATURES & BENEFITS

- Round, Square & Specialty** trims - designer series fixture
- 1000 lm** with **CRI 90+** for True Color Rendering
- 27K, 30K, 40K, 5CCT** field selectable & **Dim to Warm 3000-1800K** options
- 4 3/8" Deep** - Install Where Ceiling Space Is Limited
- Type IC** Rated - No Housing Required
- Driver Inside Connection Box** - No Junction Box Needed
- Suitable for steam showers and saunas with shower trim 2RST**

DIMENSIONS: ID 1 7/8" ; OD 3 1/8" ; Cut Out Needed For Driver 2 3/4"

Ceiling Clearance Required: 4 1/2" 120V Triac Dim Driver Included



ACCESSORIES Sold Separately

- [Flanged Mounting Plate with bars model FRP212](#)
- [Flat Mounting Plate model MP234](#)
- [Jumper Cables for single CCT model JC10](#)
- [Jumper Cables for 5 CCT model JC-5CCT-10](#)
- [Goof Ring OD 4 1/2" White # GR3 Black # GR3-BK](#)
- [0-10V Dimmable driver 120-277V for single CCT only model HBL015-AW-10-01L](#)

ORDERING GUIDE

	CCT	Reflector	Trim	Beam Angle
LED-2-S15W	- xxK	- 2RRxx	- 2xxx	blank for 38°
	27 30 40 5CCT 3018			-24D for 24°

Example:
LED-2-S15W - 30K - 2RRWH - 2RTWH
 3000K Reflector Round Trim 38° beam
 White **White**

Default beam angle is 38°, Optional is 24°



LED-2-S15W

2" Round / Square Recessed LED 15W High Output Designer Series

Project: _____

Location: _____

Trim: _____ Reflector: _____ Qty: _____

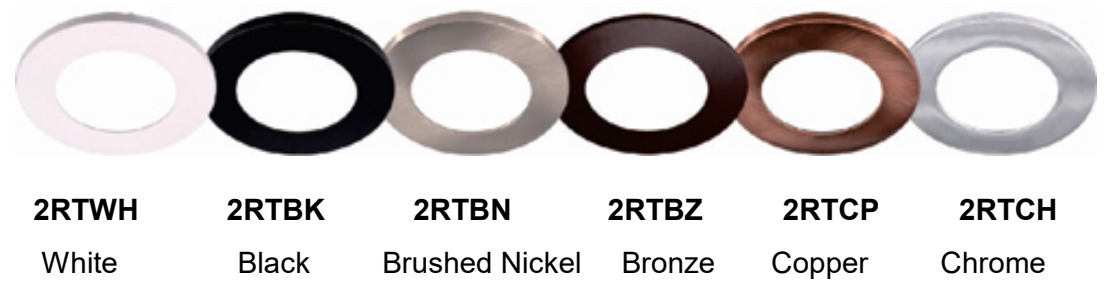
Notes: _____

SPECIFICATION	
Applications	Commercial & High End Residential
Energy Used	15 W
Color Temperature (K)	2700 3000 4000 5CCT: 27K-30K-35K-40K-50K 3018
Light Output (lm)	980 1000 1020 820-880-960-1000-960 800
Halogen Equivalent	100 W
Beam Angle	38° (default) or 24°
CRI	90 +
Default Driver	120V AC Triac Dimmable - for all CCTs
Optional Driver	120-277V AC 0-10V Dimmable - for single CCTs only
J-Box Volume	6.53 in ³ / 2 in 2 out 12AWG
Approved Location	Insulated Ceiling & Damp Locations / Wet with 2RST trim
Air Tight	Yes
Ambient Temperature	-4°F (-20°C) to +104°F (+40°C)
Projected Life	70% Light Output at 50,000 Hours
Certification	cETLus, Energy Star, T24
Warranty	5 Year

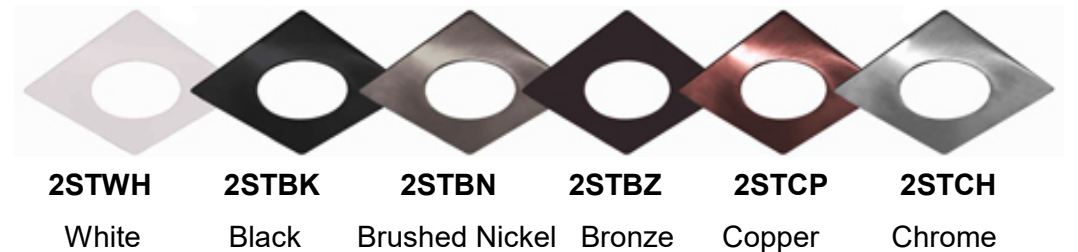
Reflectors



Round Trims



SquareTrims



Specialty Trims

