

Medium Wall Pack, Gen-2



Features

- Construction
 - High impact polycarbonate lens
 - 1/2" conduit access, sides, top, or rear knockouts
- LED driver and electrical components are mounted to the die-cast housing for optimal heat sinking and operating efficiency
- 0-10V Dimmable LED Driver
- CRI: 70+
- Optional 8W Emergency Driver
- The LED system delivers, on average, 70% of lumen maintenance (L70) at 60,000 hours
- Suitable for ambient temperature between -40°C (-40°F) to 40°C (104°F)
- UL listed for wet locations
- 5 Year warranty



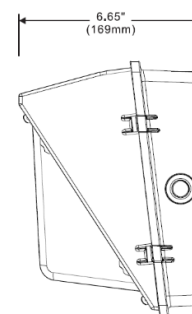
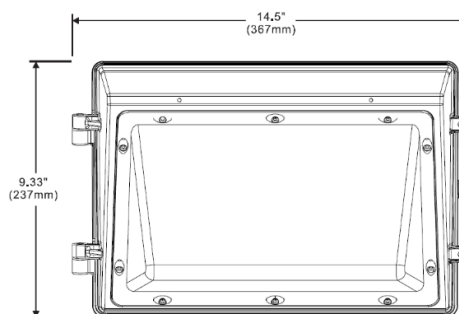
Description

Utilizing the latest generation of LED chips and a patented smart controller, this uniquely designed wall pack not only delivers a similar light output of a 150/200W metal halide, but also has multiple wattage and CCT to choose from based on specific project needs. Housing is made out of die-cast aluminum with reliable powder coating specifically for harsh outdoor environment. It is attractive in appearance with excellent performance.

Applications

Ideal for parking facilities, entry ways, perimeter/pathway lighting for underpasses.

Dimensions



Ordering Information

PERFORMANCE PACKAGE	LUMENS ¹	WATTAGE ²	INPUT VOLTAGE	CCT ³	FINISH	OPTIONS
MWP2-045-CSWS-LED-MV	2,200	15W	120-277 VAC 50/60 Hz	3000K	Bronze	(Blank): No options 1S: 10kV Surge Protection PC: Photocontrol EM: Emergency Battery Backup. Approx. 1,140 lm output during emergency. (not suitable for use in below freezing temperatures)
	4,100	28W		4000K		
	5,900	41W		5000K		
	6,500	45W				
MWP2-070-CSWS-LED-MV	2,900	20W	120-277 VAC 50/60 Hz	3000K	Bronze	(Blank): No options 1S: 10kV Surge Protection PC: Photocontrol EM: Emergency Battery Backup. Approx. 1,140 lm output during emergency. (not suitable for use in below freezing temperatures)
	5,800	40W		4000K		
	8,600	60W		5000K		
	10,000	70W				
MWP2-100-CSWS-LED-MV	4,300	30W	120-277 VAC 50/60 Hz	3000K	Bronze	(Blank): No options 1S: 10kV Surge Protection PC: Photocontrol EM: Emergency Battery Backup. Approx. 1,140 lm output during emergency. (not suitable for use in below freezing temperatures)
	8,500	60W		4000K		
	12,700	90W		5000K		
	14,100	100W				

¹ Performance listed for 4000K. Lumen values are from photometric tests performed in accordance with IESNA LM-79. Data is considered to be representative of the configurations shown. Actual performance may differ as a result of end user environment and application. ² 4-position power selector switch, factory set at highest power. ³ 3-position CCT selector switch, factory set at 4000K.

Product Detail

