

C-VT-B-SMCL Series

LED Vapor Tights - Ceiling Mount

Replaces 100W/200W Incandescent



EASY INSTALL TO CEILING & EASY MAINTENANCE

These LED Vapor Tight Jelly Jars install by simply screwing them in with the included hardware and can be used in wet locations without worry. Their rugged exterior can withstand harsh weather conditions. Delivering up to 1900 lumens and either 4000K or 5000K, these are great for warehouses, retail locations, and light industrial facilities. The frosted glass lens helps provide uniform light distribution and you'll enjoy up to 100,000 hours of maintenance-free operation. Now, that's what we call easy.



PRODUCT SPECIFICATIONS

OVERVIEW

- Initial Delivered Lumens: 1000 or 1900
- CRI: ≥ 80
- CCT: Neutral White 4000K
- Mounting: Ceiling
- Input Power: 12W or 22W
- Dimmable: No
- Operating Temperature Range: -30°C to 45°C (-31°F - 113°F)
- L_{70} Lifetime @ 25°C : $>100,000$ hours
- Power Factor: > 0.9
- Total Harmonic Distortion: $< 20\%$
- Limited Warranty: 5 Years*
- Replaces 100W Incandescent (10L) or 200W Incandescent (19L)

DURABLE	VERSATILE	RECOMMENDED USE	INPUT VOLTAGE
<ul style="list-style-type: none"> • Rugged time-tested design • Sturdy housing and frosted glass globe 	<ul style="list-style-type: none"> • Protects against dust & moisture • Even clean light with several mounting options 	<ul style="list-style-type: none"> • Warehouses • Industrial • Retail 	<ul style="list-style-type: none"> • 120V-277V Operation

ORDERING INFORMATION

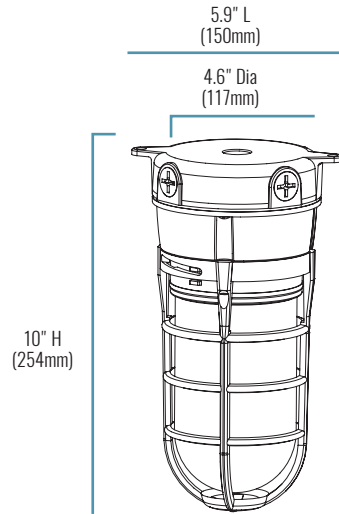
Example: C-VT-B-SMCL-10L-40K-GR

C-VT	B	SMCL		40K	GR
PRODUCT	SERIES	STYLE	LUMEN PACKAGE	CCT	COLOR
C-VT LED Vapor Tight	B	SMCL Ceiling Mount	10L 1,000 Lumens, 12W 19L 1,900 Lumens, 22W	40K Neutral White (4000K)	GR Gray

CERTIFICATIONS:



C-VT-B-SMCL Series



SERIES OVERVIEW

DIMENSIONS	PRODUCT WEIGHT	MOUNTING HEIGHT	SPACING
5.9" (150mm) L x 4.6" (117mm) Dia x 10" (254mm) H	10L: 3.04 lbs. (1.4kg) 19L: 3.20 lbs. (1.5kg)	Up to 15 feet	15 feet

FIXTURE SPECIFICATIONS

HOUSING	Die-cast aluminum housing and lamp guard Gray polyester powder-coat finish
LENS ASSEMBLY	Screw-in, frosted glass globe provides uniform light distribution
MOUNTING	Die-cast aluminum 4" junction box Four threaded and plugged 1/2" conduit entry points on sides of ceiling box, and one threaded entry point on top of mounting box

ELECTRICAL PERFORMANCE

OPERATING RANGE	LIFESPAN L ₇₀ AT 25°C (77°F)	POWER FACTOR	TOTAL HARMONIC DISTORTION	DIMMABLE
-30°C to 45°C (-31°F - 113°F)	Estimated > 100,000 Hours	> 0.9	< 20%	No

INPUT VOLTAGE	LUMEN PACKAGE	120V	208V	240V	277V
CURRENT DRAW (Amps)	10L	12W	0.09A	0.05A	0.04A
	19L	22W	0.18A	0.10A	0.09A

WARRANTY AND CERTIFICATIONS

WARRANTY	UL LISTED	INGRESS PROTECTION	SURGE PROTECTION
5 Year Limited*	Wet Locations	IP65 Rated	4kV

© 2023 Cree Lighting, A company of IDEAL INDUSTRIES. All rights reserved. For informational purposes only. Content is subject to change. Patent www.creelighting.com/patents. C-Lite and the C-Lite logo are registered trademarks of Cree Lighting. The cULus logo is a registered trademark of UL LLC.

US: creelighting.com, e-conolight.com

Distribution/Sales: 855-617-2733 Customer Service: 888-243-9445

Rev. Date: V1 R1 01/06/2023

For informational purposes only. Content is subject to change. *See creelighting.com/resources/warranties

C-LITE
LED LIGHTING