

## LUMOS SERIES INSTALLATION INSTRUCTIONS

### Materials Required by Contractor:

- 90°C rated supply conductors
- Fasteners to mount luminaire to wall
- Silicone Sealant Caulk
- 5/32 hex key



Dark Sky  
Orientation



Forward Throw  
Orientation

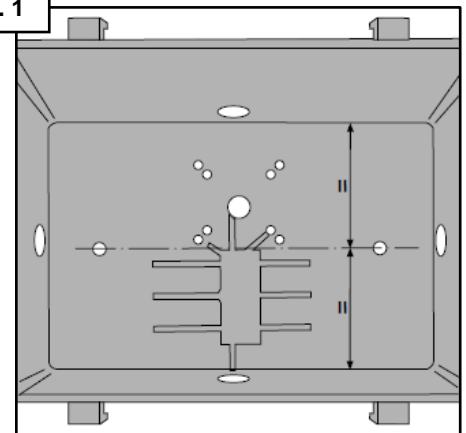
### Before Starting Work:

- Ensure that all electrical connections are not live! Take all steps necessary to make sure that electrical connections will not become live accidentally during installation.
- Ensure input voltage is correct per ETL label on luminaire.

### Installation Steps:

1. Remove two screws on side of wall pack, allowing the two sections of the wall pack to hinge apart. Separate two parts of wall pack.
2. Drill pilot holes in wall pack mounting plate; for ability to reverse orientation after initial installation, this is typically done halfway between the “long” and “short” end, equidistant from the other two sides (Fig. 1). These will be used to fasten the wall pack to the wall.

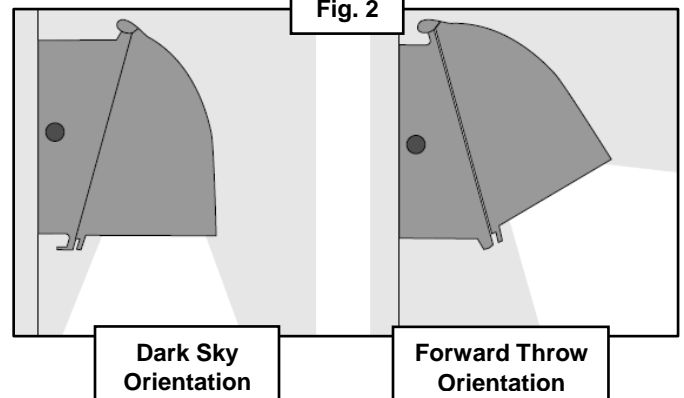
Fig. 1



3. Determine if the fixture is to be installed in the “Forward Throw” or “Dark Sky” orientation (Fig. 2). Install wall pack’s mounting plate to surface of wall using appropriate fasteners (Fig. 3). Use silicone sealant over fasteners to ensure water cannot enter through mounting holes.

4. Bring electrical to wall pack mounting plate. Seal all threads with silicone to ensure water cannot enter through conduit entrances.

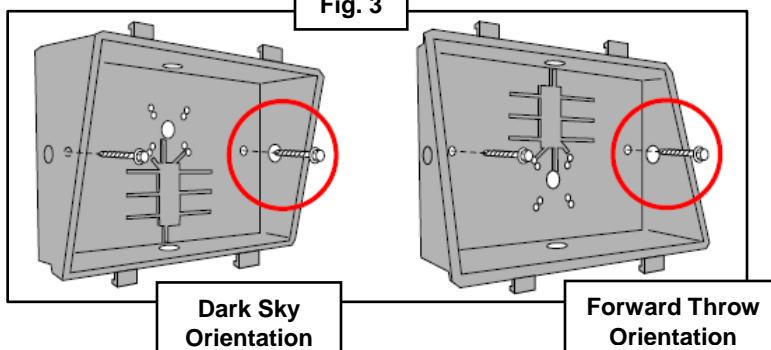
Fig. 2



Dark Sky  
Orientation

Forward Throw  
Orientation

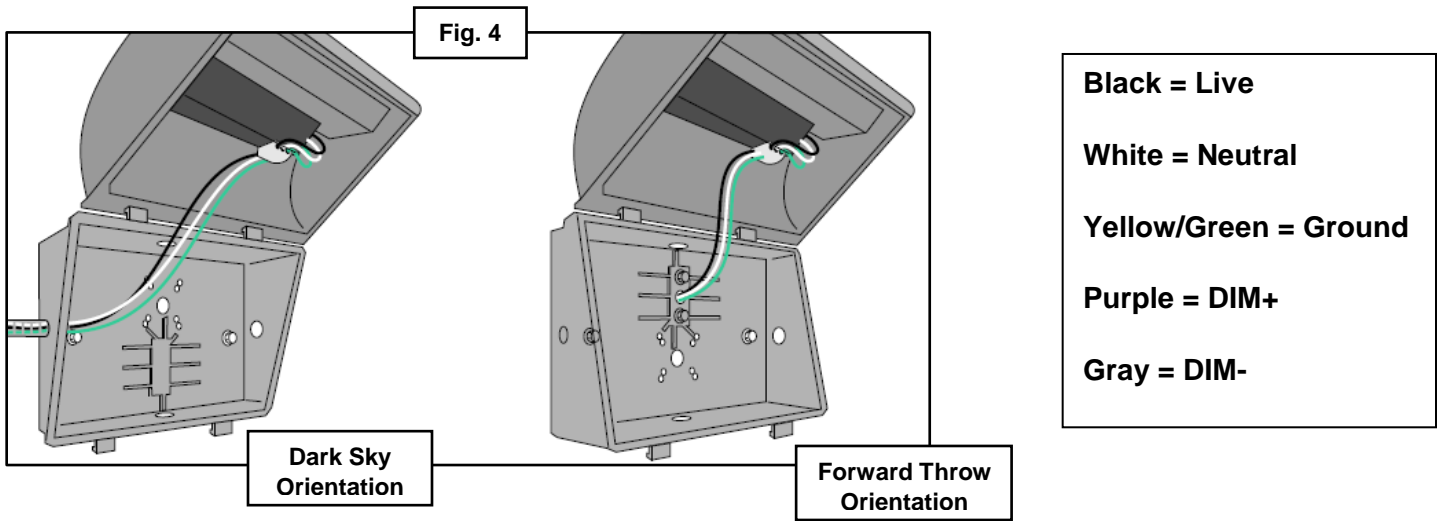
Fig. 3



Dark Sky  
Orientation

Forward Throw  
Orientation

5. Slide front section of luminaire down onto the wall pack mounting plate's top hinges. Make all electrical connections as labeled on luminaire power supply (Fig. 4). Note: if ground connection is made through the electrical conduit, both ground tabs on luminaire must be connected with each other. This ensures that both sections of the wall pack are grounded. Use 90°C rated supply conductors.



6. Close up wall pack and reinstall screws to secure both sections of wall pack together. Check that seals are all properly positioned to ensure no water enters luminaire.