

# HBL-A Series LED Linear High Bay



## Jarvis HBLA Series

Optical diffuser improves eye comfort and reduces glare

Housing built from durable stamped steel with integrated thermal management for increased fixture longevity

Simple PIR motion sensor solutions available

## Competitors' Products

Poor optics produce a high level of unwanted glare

Fixture runs at a higher operating temperature increasing wear on electrical components and reduces fixture's lifetime

Limited sensor options available



## Most Popular Models and Specifications:

Catalog #	Description	DLC Product ID	Input	Power	Lumens	CCT	CRI	PF
HBL-A-1x2-12L-50K	1x2ft White Linear High Bay w/ Frosted Lens	S-WMP056	120-277V 50/60Hz	80W	12,000 lm	5000K	≥ 80	≥ 0.9
HBL-A-1x2-16L-50K	1x2ft White Linear High Bay w/ Frosted Lens	S-X4W0C0	120-277V 50/60Hz	110W	16,500 lm	5000K	≥80	≥0.9
HBL-A-1x2-24L-50K	1x2ft White Linear High Bay w/ Frosted Lens	S-RUVIP7	120-277V 50/60Hz	165W	24,750 lm	5000K	≥80	≥0.9
HBL-A-1x2-33L-50K	1x2ft White Linear High Bay w/ Frosted Lens	S-XWQSKD	120-277V 50/60Hz	220W	33,000 lm	5000K	≥80	≥0.9



[www.jarvislighting.com](http://www.jarvislighting.com)



(800) 363-1075



## Electrical

**Input Voltage:** 120-277V 50/60Hz

**Power Factor:** >.9 at full load

**Total Harmonic Distortion:** <20% full load

Includes over voltage protection, overcurrent protection, and short circuit protection.

**Operating Temperature Range:** -40°C to 45° C Ambient (-40°F to 113°F)

## Controls and Dimming

0-10V dimming leads are default on all 120-277V input models and accessible outside the fixture body. The power supply is capable of providing 12VDC auxiliary output power for a variety of accessories.

The HBL-A series features a dim-to-off driver and are compatible with networked lighting control systems. These systems allow the lights to communicate with each other via Bluetooth® signal. Systems are typically capable of grouping, controlling and dimming lights through a number of methods including motion sensors, photo sensors, schedules, manual Bluetooth switches and more.

The HBL-A series is compatible with Jarvis Lighting's PhotoMotion™ sensors or network lighting control system. PhotoMotion™ sensors provide multi-level control based on both motion and/or ambient natural lighting levels and can be custom programmed via remote control. The HBL-A Series is compatible with many other photosensors and motion sensor systems. Contact a Jarvis representative for more information.



## Ordering Guide

*Example: HBL-A-1x2-24L-50K*

Product Family	Housing Size	Lumen Output	CCT
HBL-A Linear High Bay	1x2 - 1ft x 2ft	12L - 12,000 Lumens	40K - 4000K
		16L - 16,500 Lumens	50K - 5000K
		24L - 24,750 Lumens	
		33L - 33,000 Lumens	

*Variants in blue are typically quick ship items. Variants in white are typically special order with longer lead time.*

## Construction and Materials

Housing is constructed from stamped steel with integrated thermal management design.

The housing features a powdercoat finish. Powdercoat finish is applied directly to housing and will not crack or peel. Default color is white. Custom colors are available. Contact the factory for additional color information.

Lens construction is frosted polystyrene with glare reduction optics and a 90° beam angle

Luminaire's construction contains zero mercury

Fasteners are stainless-steel and will not rust or create rust-streaks

## Regulatory and Voluntary Qualifications

ETL listed to UL 1598 and UL 8750 for both US and Canada

State of California Title 24 Compliant when installed in accordance with local requirements

DesignLights Consortium® (DLC) Premium qualified product. Not all versions of this product may be DLC qualified. Please check the DLC Qualified Products List at [www.designlights.org/QPL](http://www.designlights.org/QPL) to confirm which versions are qualified.

Rated for Dry and Damp Locations

## Warranty and Lifetime

HBL-A Series carries a 10-year limited warranty.

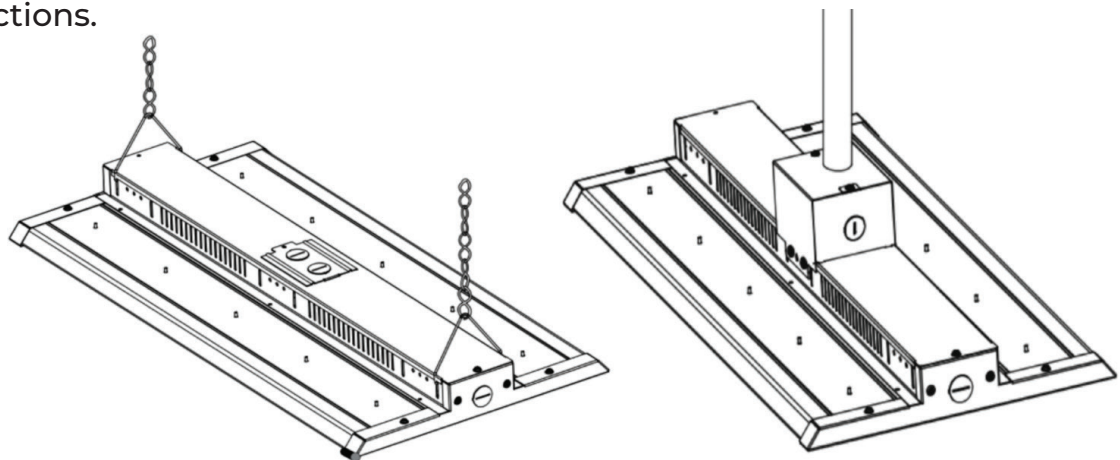
Contact Jarvis representative for details.

Projected LED lifetime exceeds 50,000 hours under most operating conditions. Lifetime projections are calculated using data including LM-79, LM-80 and TM-21 calculations. Contact Jarvis representative for details.

## Installation

Luminaire can be installed via an included chain and V-hook for suspension mounting. Luminaire can also be installed via a pendant mount or junction box surface mount. Pendant or junction box mounting requires separately ordered accessory kit. Luminaire features 7" input power and dimming wire leads accessible outside the luminaire for each of the installation connections.

Contact a Jarvis Representative for full installation instructions, videos or additional information.



## Accessories

The HBL Series is compatible with many photosensors and motion sensor systems. For pendant or junction box mounting applications, accessory kit must be ordered separately. Contact a Jarvis representative for more information.

## Photometrics

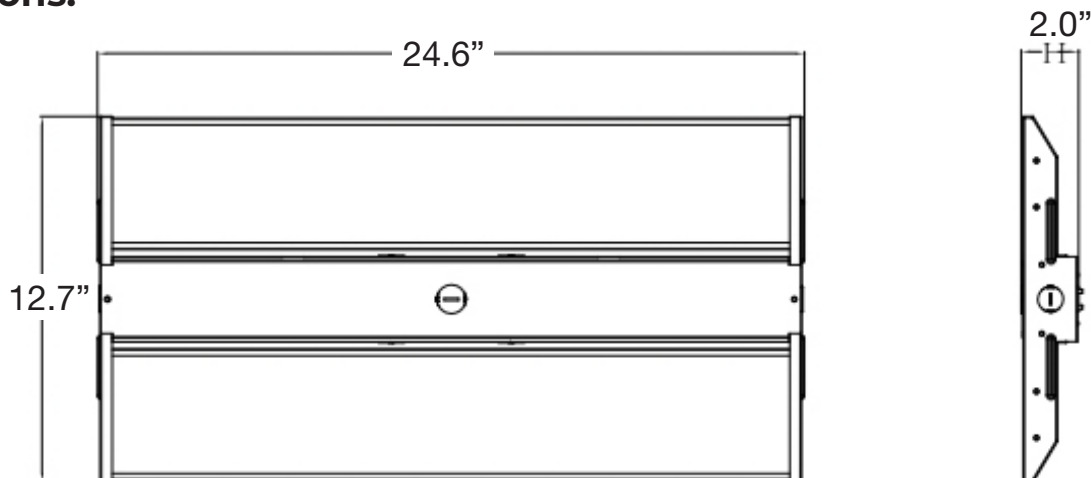
Photometric information, including LM-79 reports and .IES files are available for most models at [www.jarvislighting.com](http://www.jarvislighting.com). Site photometrics and lighting layouts are available.



## Product Weight:

Model	Net Weight
HBL-A-1x2	5.9 lbs

## Dimensions:



**BRIGHT DONE RIGHT™**

