

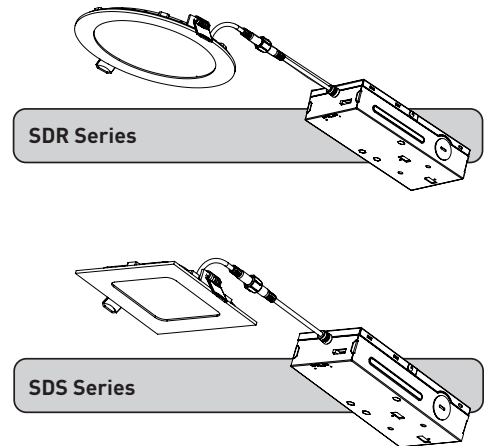
IMPORTANT SAFEGUARDS

When using electrical equipment, basic safety precautions should always be followed including the following:

READ AND FOLLOW ALL SAFETY INSTRUCTIONS

- DANGER – RISK OF SHOCK – DISCONNECT POWER BEFORE INSTALLATION**
DANGER – RISQUE DE CHOC – COUPER L'ALIMENTATION AVANT L'INSTALLATION
- WARNING – Risk of fire or electric shock. Luminaire wiring and electrical parts may be damaged when drilling for installation of the LED upgrade kit. Check for enclosed wiring and components.**
ATTENTION - Risque d'incendie ou de choc électrique. Câblage électriques peuvent être endommagés lors du perçage pour l'installation du kit upgrade LED. Vérifier les fils et composants.
- WARNING – Risk of fire or electric shock. LED Retrofit Kit installation requires knowledge of luminaires electrical systems. If not qualified, do not attempt installation. Product must be installed in accordance with NEC or your local electrical code. If you are not familiar with these codes and requirements, contact a qualified electrician.**
ATTENTION- Risque d'incendie ou de choc électrique. L'installation du kit upgrade LED exige la connaissance des systèmes électriques pour luminaires. Si non qualifié, ne tentez pas d'installation. Ce produit doit être installé conformément à NEC ou votre code électrique local. Si vous n'êtes pas familier avec ces codes et ces exigences, veuillez contacter un électricien qualifié.
- WARNING – Risk of fire or electric shock. Install this kit only in the luminaires that have the construction features and dimensions shown in the photographs and/or drawings where the input rating of the retrofit kit does not exceed the input rating of the luminaire.**
ATTENTION - Risque d'incendie ou de choc électrique. Installez ce kit seulement dans les luminaires qui ont les caractéristiques de construction et les dimensions dans les photographies ou les dessins de la page suivante.
- Only the holes indicated in the photographs or drawings may be made or altered as a result of the kit installation. Do not leave any other holes open in a wiring enclosure or electrical component.**
Seulement les trous indiqués dans les photographies ou les dessins peuvent être faits ou altérés pour l'installation du kit upgrade LED. Ne laissez aucun trou ouvert dans le compartiment électrique.
- WARNING – To prevent wiring damage or abrasion, do not expose wires to the edge of sheet metal or any other sharp objects.**
ATTENTION - Pour éviter les dégâts de câblage par l'abrasion, ne pas mettre en contact les fils électriques avec des bords de tôle ou d'autres objets pointus.
- CAUTION: Changes or modifications not expressly approved could void your authority to use this equipment.**
- The retrofit kit is accepted as a component of a luminaire where the suitability of the combination shall be determined by authorities having jurisdiction. Product must be installed by a qualified electrician in accordance with the applicable and appropriate electrical codes. The installation\ guide does not supersede local or national regulations for electrical installations.
- Examine all parts that are not intended to be replaced by the retrofit kit for damage and replace any damaged parts prior to installation of the retrofit kit.
- CAUTION:** Changes or modifications not expressly approved could void your authority to use this equipment.
- Lamp replacement instructions shall indicate the manufacture's custom lamp part number, and a method to order replacement lamp by phone, website and/ or mail.

INSTALLATION INSTRUCTIONS
INSTRUCTIONS D'INSTALLATION



SAVE THESE INSTRUCTIONS FOR FUTURE REFERENCE

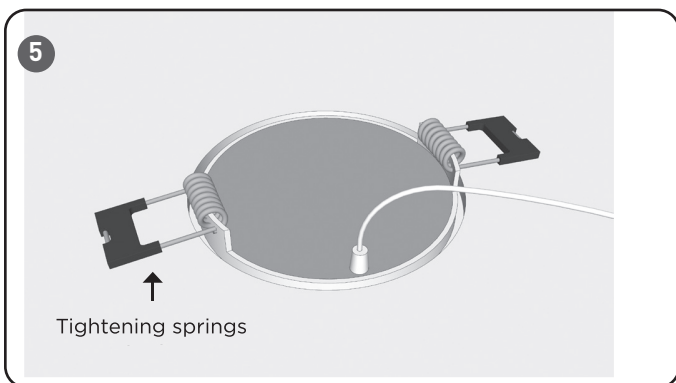
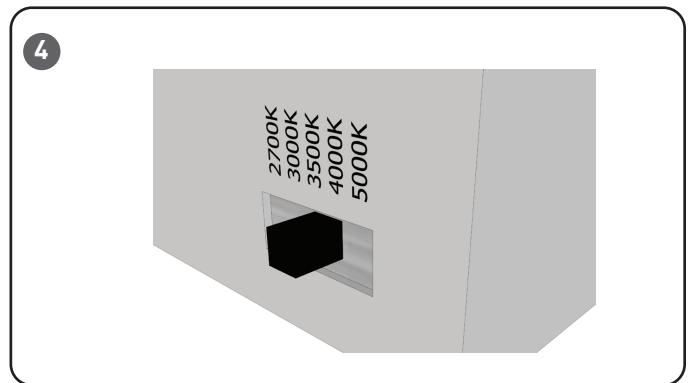
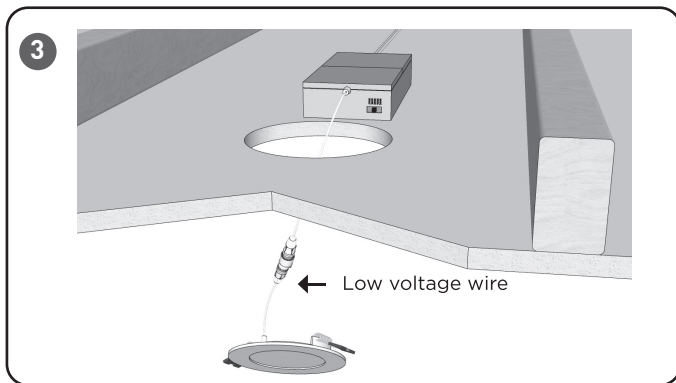
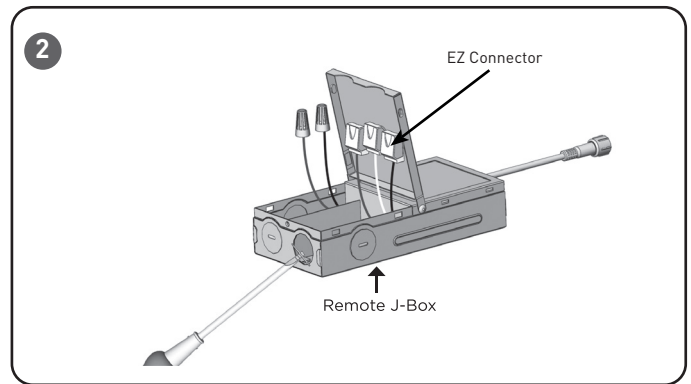
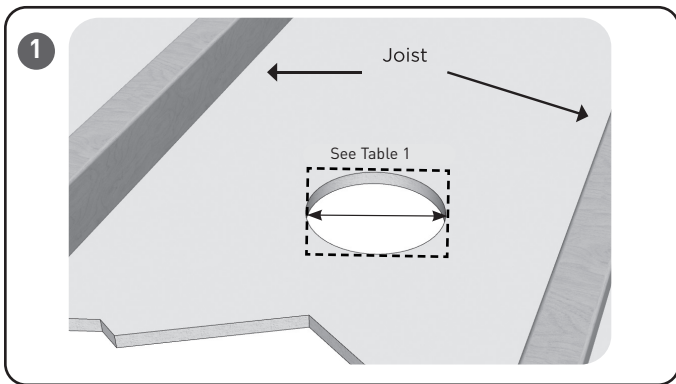
TABLE 1:

Model	Input Voltage (V)	Input Frequency (HZ)	Input Watts (W)	Round Cut Out Dimensions	Square Cut Out Dimensions
4 inches	120-277	50/60	12	4-11/32" (110mm)	4-11/32" (110mm) x 4-11/32" (110mm)
6 inches	120-277	50/60	16	6-1/4" (158mm)	6-1/4" (158mm) x 6-1/4" (158mm)
8 inches	120-277	50/60	22	8-5/16" (211mm)	8-5/16" (211mm) x 8-5/16" (211mm)

TABLE 2:

Model	Round	Square
4 inches	Damp Rated	Damp Rated
6 inches	Wet Rated – Covered Ceiling Mount Only	Wet Rated – Covered Ceiling Mount Only
8 inches	Damp Rated	Damp Rated

TO INSTALL:



STEP 1:

Make sure the POWER is TURNED OFF at the circuit breaker for the fixture you are installing..

STEP 2:

See Table 1 to find the hole dimensions for the size of the light fixture you are installing. Cut a round or square hole based on the size and type of fixture you are installing. See **Figure 1**.

STEP 3:

Open the junction box cover and carefully remove the appropriate knock-out(s) with a screw driver or punch. See **Figure 2**.

STEP 4:

Make wiring connections inside the junction box per the **Electrical Connections** section.

STEP 5:

Connect the low voltage cable to the light. Insert the junction box into the ceiling opening and secure it with a screw. Close the junction box cover. See **Figure 3**.

STEP 6:

Select the desired color temperature using the dip switch on the side of the junction box. See **Figure 4**.

STEP 7:

Squeeze the two housing clips so they are in an upright position and insert the fixture into ceiling hole. Once the fixture is inside the ceiling cavity, release the housing clips and continue pushing the fixture into ceiling hole until securely fixed and flush with the ceiling. See **Figure 5**.

STEP 8:

Turn power on at the source and the installation is complete.

FCC NOTICE

CAUTION: Changes or modifications not expressly approved could void your authority to use this equipment.

This device complies with part 15 of the FCC Rules. Operation is subject to the following two conditions: (1) This device may not cause harmful interference, and (2) this device must accept any interference received, including interference that may cause undesired operation.

Changes or modifications not expressly approved could void your authority to use this equipment.

This equipment has been tested and found to comply with the limits for a Class B digital device, pursuant to part 15 of the FCC Rules. These limits are designed to provide reasonable protection against harmful interference in a residential installation. This equipment generates, uses and can radiate radio frequency energy and, if not installed and used in accordance with the instructions, may cause harmful interference to radio communications. However, there is no guarantee that interference will not occur in a particular installation. If this equipment does cause harmful interference to radio or television reception, which can be determined by turning the equipment off and on, the user is encouraged to try to correct the interference by one or more of the following measures:

- Reorient or relocate the receiving antenna.
- Increase the separation between the equipment and receiver.
- Connect the equipment into an outlet on a circuit different from that to which the receiver is connected.
- Consult the dealer or an experienced radio/TV technician for help.

CAN ICES-005 (B)/NMB-005 (B)

FCC Radiation Exposure Statement

This device complies with FCC radiation exposure limits set forth for an uncontrolled environment and it also complies with Part 15 of the FCC RF Rules. This equipment must be installed and operated in accordance with provided instructions and the antenna(s) used for this transmitter must be installed to provide a separation distance of at least 20 cm from all persons and must not be co-located or operating in conjunction with any other antenna or transmitter. End-users and installers must be provided with antenna installation instructions and consider removing the no-collocation statement.

ELECTRICAL CONNECTIONS- STANDARD LUMINAIRE (NO EMERGENCY BACKUP)

STEP 1:

Make the following Electrical Connections::

- a. For 120/277V connect the black fixture lead to the voltage supply or Hot 1 (for 208/240V wiring).
- b. For 120/277V connect the white fixture lead to the neutral supply or Hot 2 (for 208/240V wiring).
- c. Connect the green or green/yellow fixture lead to the supply ground lead.
- d. If 0/1-10V Dimming is used, connect the violet lead to the supply positive dimming lead. If dimming is not being used ensure to cap off the violet lead.
- e. If 0/1-10V Dimming is used, connect the grey or pink lead to the supply negative dimming lead. If dimming is not being used ensure to cap off the grey or pink lead.

Tuck all wires carefully into wire chamber ensuring that no wires are pinched.

