

IMPORTANT SAFEGUARDS

When using electrical equipment, basic safety precautions should always be followed including the following:

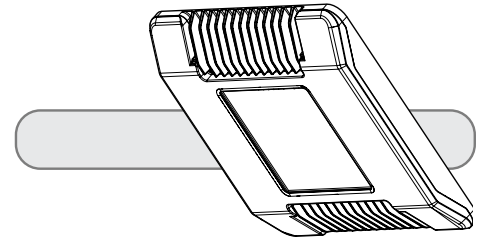
READ AND FOLLOW ALL SAFETY INSTRUCTIONS

- DANGER**- Risk of shock- Disconnect power before installation.
DANGER – Risque de choc – Couper l'alimentation avant l'installation.
- This luminaire must be installed in accordance with the NEC or your local electrical code. If you are not familiar with these codes and requirements, consult a qualified electrician.
Ce produit doit être installé conformément à NEC ou votre code électrique local. Si vous n'êtes pas familier avec ces codes et ces exigences, veuillez contacter un électricien qualifié.
- DO NOT lift luminaire by the power leads or cord.

SAVE THESE INSTRUCTIONS FOR FUTURE REFERENCE

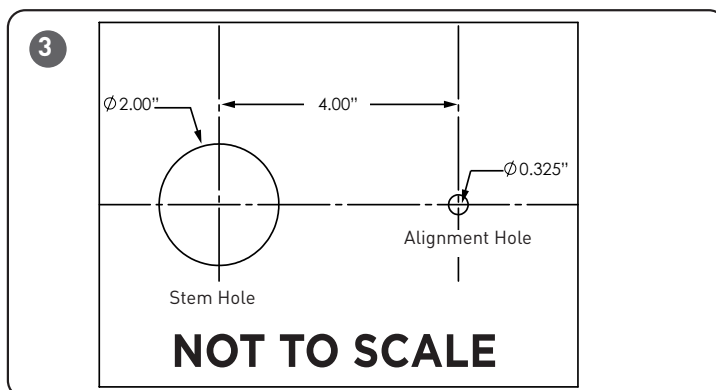
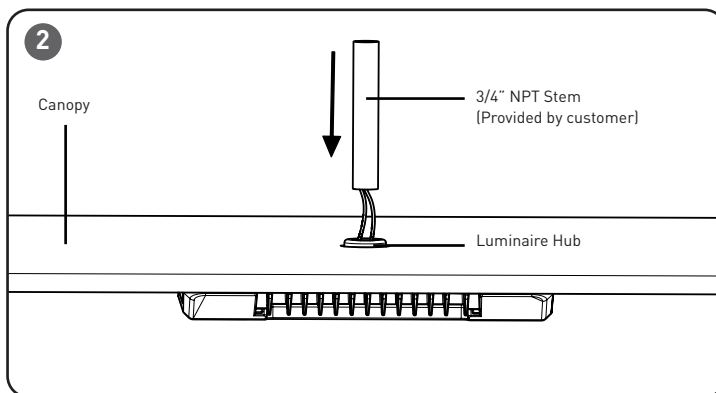
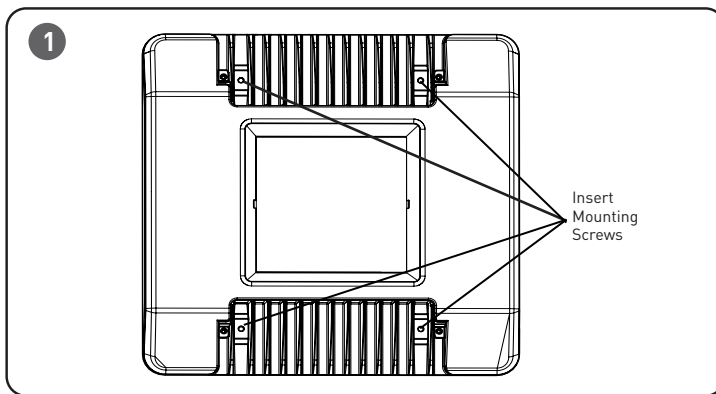
TO INSTALL:

INSTALLATION INSTRUCTIONS INSTRUCTIONS D'INSTALLATION



NOTE:

No user maintenance is required. Do not remove the enclosure cover after installation.



DIRECT MOUNT - CANOPY APPLICATIONS

NOTE: For use with XA-BXCCJBOX accessory or customer supplied junction box and stem.

STEP 1:

Remove bushing from threaded hub.

STEP 2:

Cut a 2.0" hole for stem into canopy. For installation using alignment template instructions refer to "Alignment Template (Optional)" section.

NOTE: Luminaire can be mounted to an existing hole in canopy up to 4" diameter.

STEP 3:

To mount luminaire to canopy, insert and tighten (4) supplied Phillips hex head self-drilling sheet metal screws as shown in **Figure 1**.

STEP 4:

From above canopy feed leads from luminaire through customer supplied 3/4" NPT Stem. Screw customer supplied NPT Stem into luminaire hub. See **Figure 2**.

STEP 5:

Attach customer supplied junction box to the other end of the customer supplied 3/4" NPT Stem and make wiring connections into customer supplied junction box per "Electrical Connections" section.

STEP 6:

Apply sealant around stem, hub and alignment screw for a complete seal.

ALIGNMENT TEMPLATE (OPTIONAL)

STEP 1:

Reference **Figure 3** for alignment. Insert supplied #8 screw into alignment hole on luminaire. See **Figure 4** (on back page).

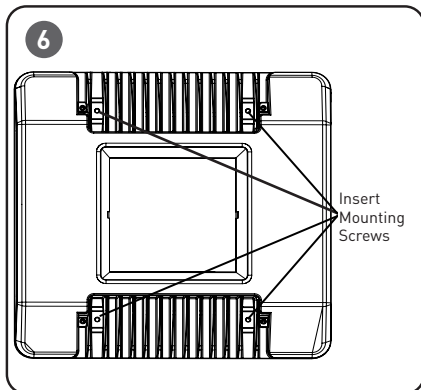
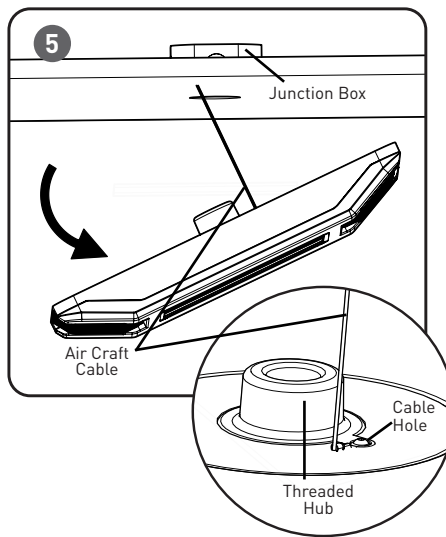
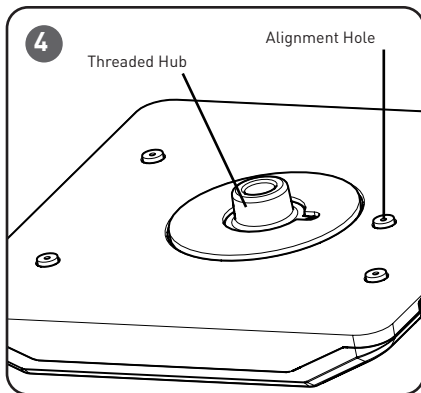
STEP 2:

Cut a 2.0" hole into the desired location of the canopy to mount the threaded hub of the luminaire. See **Figure 3**.

STEP 3:

4" away from the Stem Hole, drill a 0.325" hole, Alignment Hole, using a 11/32" drill bit for the alignment screw. See **Figure 3**.





STEP 4:

Bring luminaire to canopy and insert threaded hub into the 2.0" Stem Hole that was cut in Step 2. Rotate luminaire until alignment screw seats into the 0.325" Alignment Hole that was cut in Step 3. See **Figure 4**.

STEP 5:

Continue to Step 2 in "Direct Mount - Canopy Applications" section.

DIRECT MOUNT OVER JUNCTION BOX

NOTE: For use with customer supplied junction box. Junction box must be 4" square or octagon.

STEP 1:

Attach Air Craft Cable, provided in the hardware bag, using supplied #8 pan head screw to luminaire near the threaded hub as shown in **Figure 5**.

STEP 2:

Attach other end of the Air Craft Cable to the customer supplied junction box using supplied #8 pan head screw. Then carefully let the fixture hang down for wiring. See **Figure 5**.

STEP 3:

Make wiring connections into junction box per "Electrical Connections" section.

STEP 4:

To mount luminaire to ceiling, feed the threaded hub into the junction box, making sure no wires are pinched and luminaire is flushed with ceiling.

STEP 5:

Insert and tighten (4) supplied sheet metal screws to metal ceiling. If ceiling isn't metal use appropriate customer supplied hardware. See **Figure 6**.

ELECTRICAL CONNECTIONS

STEP 1:

Make the following Electrical Connections :

- a. Connect the black fixture lead to the voltage supply position of the terminal block or Hot 1 (for 208/240V wiring).
- b. Connect the white fixture lead to the neutral supply position of the terminal block or Hot 2 (for 208/240V wiring).
- c. Connect the green or green/yellow ground lead to the green wire position of the terminal block.
- d. If Dimming is an option; connect the violet dimming positive lead to the supply dimming positive lead.
- e. If Dimming is an option; connect the grey or pink dimming negative lead to the supply dimming negative lead.

