

PROJECT: _____
 CATALOG #: _____
 FIXTURE TYPE: _____
 NOTES: _____

WE Mini Wall Mount Series Gen 1



WE Dark Bronze



WE White



PERFORMANCE INFORMATION

SERIES NUMBER	WATT	LUMENS	CCT
WE 17 G1 4K P2	17W	1,685	4000K
WE 17 G1 5K P2	17W	1,700	5000K
WE 25 G1 4K P2	25W	2,600	4000K
WE 25 G1 5K P2	25W	2,506	5000K

The *WE Mini Wall Mount Series Gen 1* offers maximum light output for general purpose area and security lighting in a classic design. This luminaire efficiently delivers lumens and consumes less energy than traditional wall mount technologies. It is ideal for replacing existing HID fixtures in a wide variety of applications.

APPLICATIONS

Building Entrances, Educational Institutions, Retail, Hospitality, Industrial, etc.

REPLACEMENT

50W - 70W MH

ORDERING GUIDE							EXAMPLE: WE 17 G1 5K P2
Luminaire Type	Lumen Output	Generation	Voltage	CCT	Options	Lens	Finish
WE Wall Mount	17 1,700 Lumens 25 2,500 Lumens	G1	BLANK= 120-277V	4K 4000K 5K 5000K	P1= 120V Photocell P2= 120- 277V Photocell	BLANK= Clear lens	BLANK= Dark Bronze W= White

Due to continuous product improvements, specification and/or equipment updates may change without notice.

SPECIFICATIONS

HOUSING

Sealed waterproof housing for both indoor and outdoor application.

AMBIENT TEMPERATURE

Suitable for use in -40°C to 50°C (-40°F to 122°F)

MOUNTING

Mounting options include J-Box mount and Surface conduit

EFFICACY

Up to 108 lumens per watt (see individual wattage data)

CCT AND CRI

4000K and 5000K CCT available; 70CRI

OPTICS

Vacuum metalized specular reflector. Clear polycarbonate lens.

LM-70

More than 100,000 hrs.

WARRANTY

10-year limited warranty. This product is eligible for the labor warranty. Comprehensive warranty terms can be located on www.slgus.com.

ELECTRICAL

Standard voltage 120-277V. High quality constant-current driver with the efficiency of (>90% standard); 50/60Hz

ENERGY DATA

Power factor above 90%.

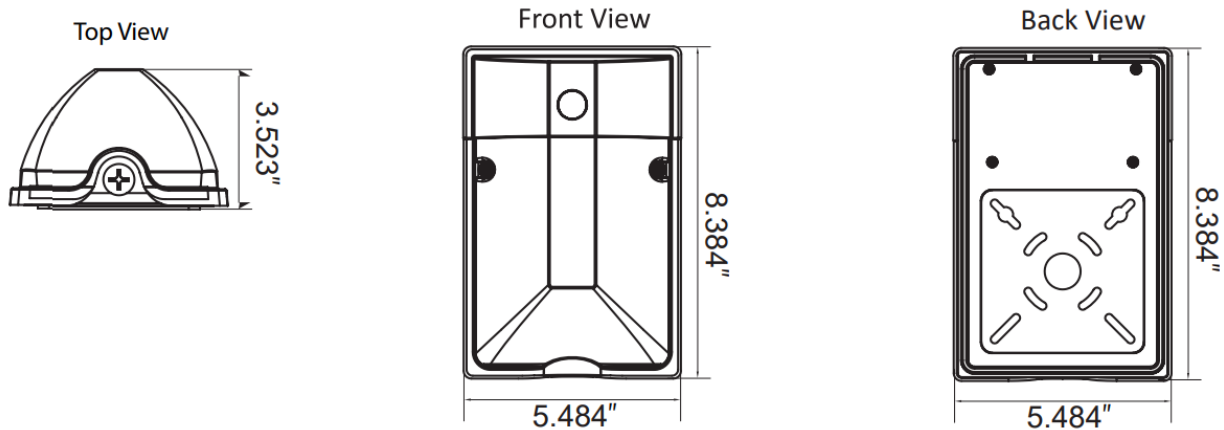
FINISH

Dark Bronze Polyester Powder coat. Optional White coat.

CERTIFICATIONS

UL Listed for wet locations. Equivalent to IP65 rating. FCC compliant. RoHs compliant.

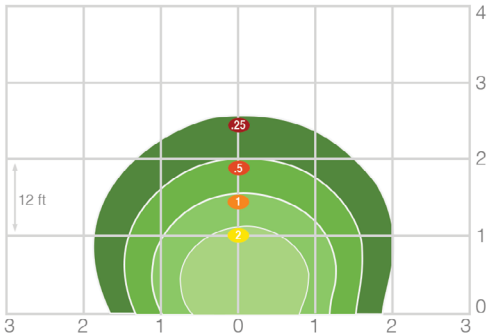
DIMENSIONS



Approximate Weight: 2.16 LBS

Due to continuous product improvements, specification and/or equipment updates may change without notice.

PHOTOMETRIC



WE 25 G1 4K

Mounting Height	6	8	10	12	14
Multiplier	2.8	1.6	1.0	0.7	0.5

PERFORMANCE COMPARISON

Product Series	Wattage	Lumens	Efficacy (LPW)	Replaces	Voltage
WE 17	17W	1,700 Lm	100	60W	120-277V
WE 25	25W	2,600 Lm	104	70W	120-277V

ELECTRICAL LOAD

Series Number	Wattage	Current (A)			
		120V	208V	240V	277V
WE 17 G1 4K	17W	0.14	0.08	0.07	0.06
WE 17 G1 5K	17W	0.14	0.08	0.07	0.06
WE 25 G1 4K	25W	0.21	0.12	0.10	0.09
WE 25 G1 5K	25W	0.21	0.12	0.10	0.09

Due to continuous product improvements, specification and/or equipment updates may change without notice.