

PROJECT: _____
 CATALOG #: _____
 FIXTURE TYPE: _____
 NOTES: _____

WS, WM, WL

Wall Pack Small, Medium, and Large Gen 1



WL Large



WM Medium



WS Small

The **WS, WM, WL Wall Pack in Small, Medium, and Large Gen 1** offers maximum light output for general purpose area and security lighting. This wall pack series efficiently delivers lumens while consuming less energy than traditional wall mount technologies.

APPLICATIONS

Security Lighting, Perimeter Lighting, Building Entryways, Walkways, and etc.

REPLACEMENT

- WS** 150W MH
- WM** 175W - 250W MH
- WL** 320W - 400W MH



PERFORMANCE INFORMATION

SERIES NUMBER	WATT	LUMENS	CCT
WS 38 G1 4K	30W	4,097	4000K
WS 38 G1 5K	30W	4,050	5000K
WM 53 G1 4K	45W	5,223	4000K
WM 53 G1 5K	45W	5,300	5000K
WM 81 G1 4K	70W	7,951	4000K
WM 81 G1 5K	70W	8,100	5000K
WL 112 G1 4K	90W	10,928	4000K
WL 112 G1 5K	90W	11,200	5000K
WL 164 G1 4K	135W	15,691	4000K
WL 164 G1 5K	135W	16,400	5000K

ORDERING GUIDE						EXAMPLE: WS 38 G1 5K
Luminaire Type	Lumen Output	Generation	Voltage	CCT	Finish	Options
WS Small Wall Pack	38 4,050 Lumens	G1	BLANK= 120-277V	4K 4000K	BLANK= Dark Bronze C= Custom*	BLANK= No Option PC UNV B3= Button Photocell
WM Medium Wall Pack	53 5,300 Lumens 81 8,100 Lumens			5K 5000K		BLANK= No Option PC UNV B3= Button Photocell
WL Large Wall Pack	112 11,200 Lumens 164 16,400 Lumens		HVU= 347-480V	EL UNV 1= Emergency Backup Kit		

*For a custom color, please call to place your order

Due to continuous product improvements, specification and/or equipment updates may change without notice.

SPECIFICATIONS

HOUSING

Sealed die-cast aluminum housing

AMBIENT TEMPERATURE

Suitable for use in -40°C to 40°C (-40°F to 104°F)

MOUNTING

WS mounting includes Junction box mounting and wall mounting. Light back box is mounted to the wall with wiring made-up before the lens and front housing.

WM and WL mounting includes Junction box and Conduit mounting.

EFFICACY

Up to 137 lumens per watt (see individual wattage data)

CCT AND CRI

4000K and 5000K CCT available; 70CRI

OPTICS

Polycarbonate optical lens with UV stabilizers

WARRANTY

10-year limited warranty. Comprehensive warranty terms can be located on www.slgus.com.

ELECTRICAL

High quality constant-current driver above 90% efficiency and rated for Standard 120-277V, 50/60Hz input. Optional HVU 347/480V.

ENERGY DATA

Power factor \geq 90%.

FINISH

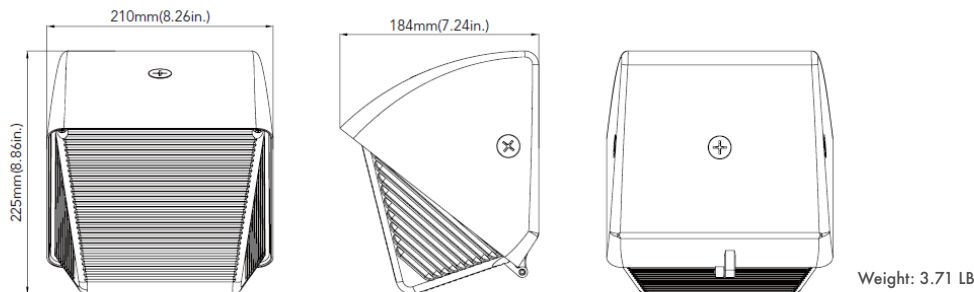
Polyester Powder Dark Bronze finish with for superior corrosion resistance and maximum durability.

CERTIFICATIONS

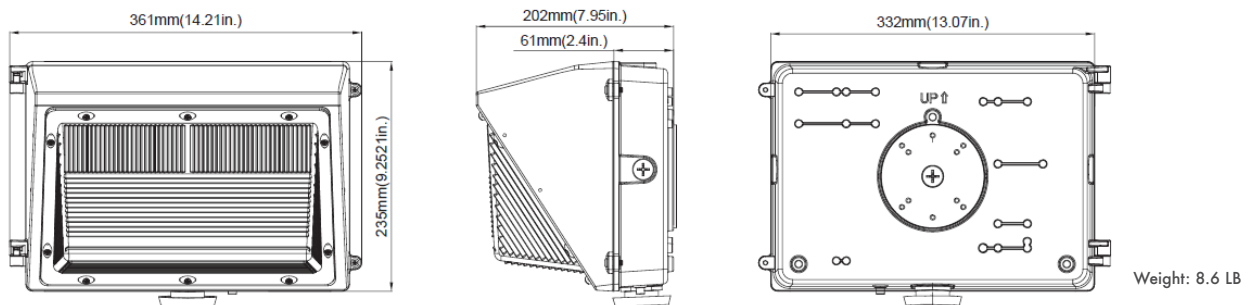
UL Listed for wet locations. Equivalent to IP65 rating. FCC compliant. RoHs compliant. NSF compliant.

DIMENSIONS

WS Small



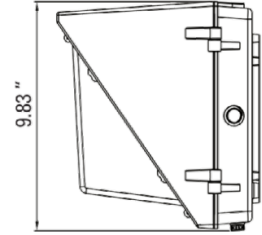
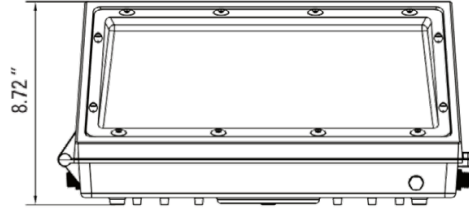
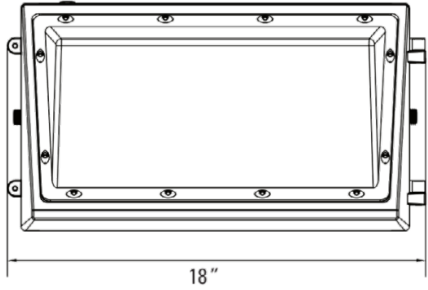
WM Medium



Due to continuous product improvements, specification and/or equipment updates may change without notice.

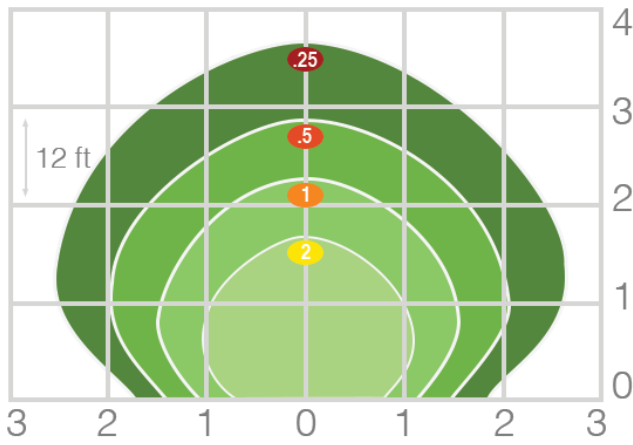
DIMENSIONS CONT

WL Large



Weight:
90W: 16.3 LB
135W: 16.8 LB

PHOTOMETRIC



WM 53 G1 4K

Mounting Height	12	14	16	18	20
Multiplier	1.8	1.3	1.0	0.8	0.6

Due to continuous product improvements, specification and/or equipment updates may change without notice.

ELECTRICAL LOAD

Series Number	Wattage	Current (A)					
		120V	208V	240V	277V	347V	480V
WS 38 G1 4K	30W	0.25	0.14	0.13	0.11	N/A	N/A
WS 38 G1 5K	40W	0.33	0.19	0.17	0.14	N/A	N/A
WM 53 G1 4K	45W	0.38	0.22	0.19	0.16	N/A	N/A
WM 53 G1 5K	45W	0.38	0.22	0.19	0.16	N/A	N/A
WM 81 G1 4K	70W	0.58	0.34	0.29	0.25	N/A	N/A
WM 81 G1 5K	70W	0.58	0.34	0.29	0.25	N/A	N/A
WL 112 G1 4K	90W	0.75	0.43	0.38	0.32	0.26	0.19
WL 112 G1 5K	90W	0.75	0.43	0.38	0.32	0.26	0.19
WL 164 G1 4K	135W	1.13	0.65	0.56	0.49	0.39	0.28
WL 164 G1 5K	135W	1.13	0.65	0.56	0.49	0.39	0.28

PERFORMANCE COMPARISON

Product Series	Wattage	Lumens	Efficacy (LPW)	Replaces	Voltage
WS 38	30W	4,050 Lm	135 lm/W	150W	120-277V
WM 53	45W	4,950 Lm	110 lm/W	175W	120-277V
WM 81	70W	7,900 Lm	113 lm/W	250W	120-277V
WL 112	90W	9,950 Lm	111 lm/W	320W	120-480V
WL 164	135W	15,550	115 lm/W	400W	120-480V

Due to continuous product improvements, specification and/or equipment updates may change without notice.