



RB4 CCT SELECTION and SENSOR INSTALLATION INSTRUCTIONS

MODELS:

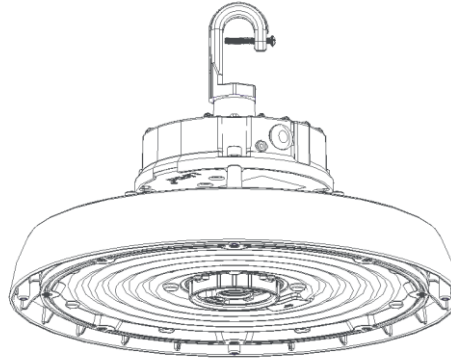
RB4-14L-U-CCTS

RB4-21L-U-CCTS

RB4-28L-U-CCTS

RB4-34L-U-CCTS

RB4-14L/21L/28L-CCTS



1. Introduction

- Tools Needed:
Flat Head Screwdriver

Warning:

To avoid the risk of fire, explosion, or electric shock, this product shall be installed, inspected, and maintained by a qualified electrician, in accordance with all applicable electrical codes.

Warning:

To avoid electric shock:

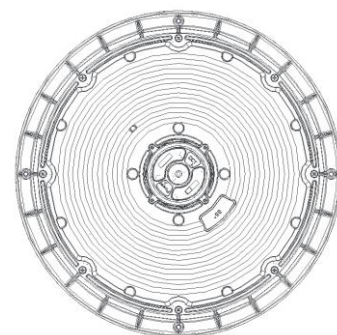
- Allow product to cool before servicing.
- Be certain electrical power is OFF before and during installation or maintenance.
- Luminaire must be connected to a wiring system with equipment-grounding conductor.

2. Installation

FIG.1



FIG.2



Step 1

Use a flat head screwdriver to loosen the center panel. (FIG.1)

Step 2

Adjust the switch to the desired setting. (FIG.2) See tables on page 2 for more information.

ILP, LLC

519 Codisco Way, Sanford, FL 32771
Phone: (407) 478 3759 Fax: (407) 478 3760
www.ilp-inc.com

Step 3

Reattach the center panel. Ensure that it is secured tightly.

Step 4 (Sensor Installation)

Follow steps 1-2 from above. Plug in the sensor into the center of the unit. Follow the provided sensor manufacturer instructions for complete setup.

Switch Controls

CCT Selection	
Switch 1	CCT
35K	3500K
40K	4000K
50K	5000K

Lumen Selection		
Switch 2 (Optional)	RB4 SKU	Lumens
100W	14L	14000 lm
150W	21L	21000 lm
200W	28L	28000 lm

To complete installation, turn power On, check for proper operation of luminaire.

ILP, LLC

519 Codisco Way, Sanford, FL 32771
 Phone: (407) 478 3759 Fax: (407) 478 3760
www.ilp-inc.com